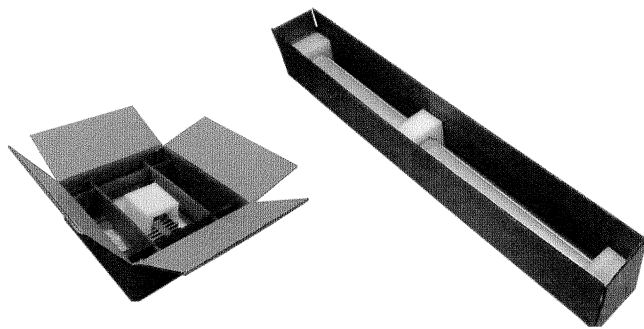


# iPad KIOSK STAND Ground Pedestal

## Quick Starter Guide



### What's in the boxes

Box1: Pedestal

Box2: Enclosure/Hinge bracket assembly,  
Base, accessories bag

### accessories list:

A1:Head cup (plastic, 1pce)

A2:1/4" Hex key (M5, 1pce)

A3:Socket head screw L:30mm (1pce)

A4:Keys (2pcs)

A5:M5\*20mm Flat head phillips screw (4pcs)

A6:M5\*8mm Round head phillips screws (4pcs)

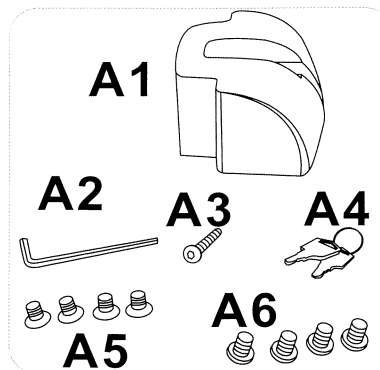
### Items/Tools required:

(1) Screw driver

(2) iPad

(3) iPad data/power cable

(4) Power bank

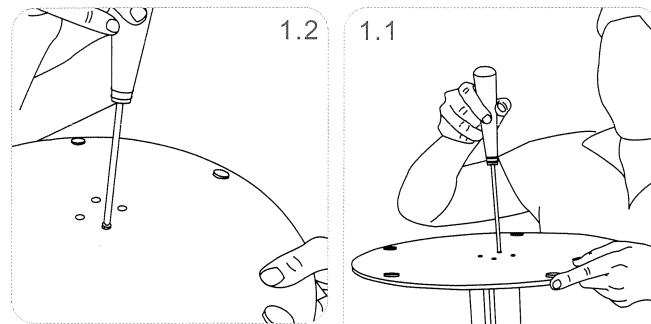


### Step 1 Attaching the Base to the Pedestal

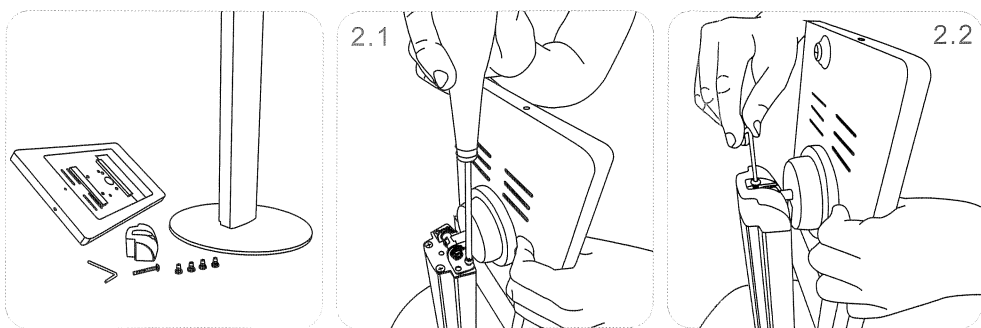
■ 1.1 Up side down the Pedestal and Base

■ 1.2 Fix the Base with M5 Flat head screws (A5)

This is a 2-person job.  
Use the EPE foam to protect the top end of the Pedestal.



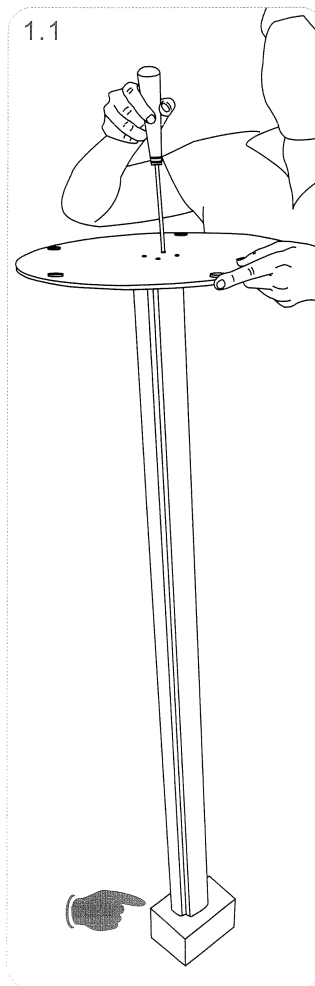
### Step 2 Attaching the Enclosure to the Pedestal



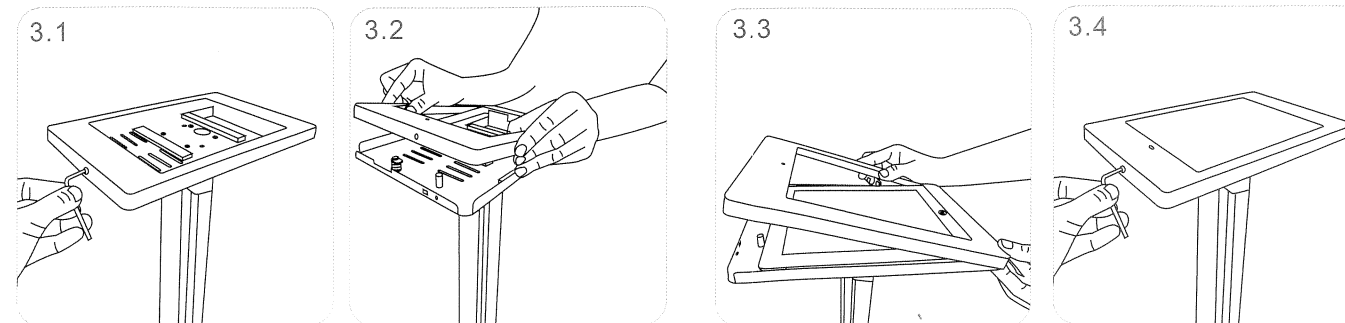
■ The Enclosure is fully assembled with Hinge bracket.

■ 2.1 Align the Hinge bracket to the top end of the Pedestal, using the screw driver to fix M5 Round head screws (A6) through the Hinge bracket into the Pedestal.

■ 2.2 Use the Hex key (A2) to fix the Head cup (A1) with socket-head screw. (A3)



### Step 3 How to open/close the Enclosure



■ 3.1 Position the enclosure to face top. Use the Hex key (A2) to unscrew on the top end of enclosure.

■ 3.2 Lift the front cover of the Enclosure from top end.

■ 3.3 Close the top cover from the bottom end of the enclosure.

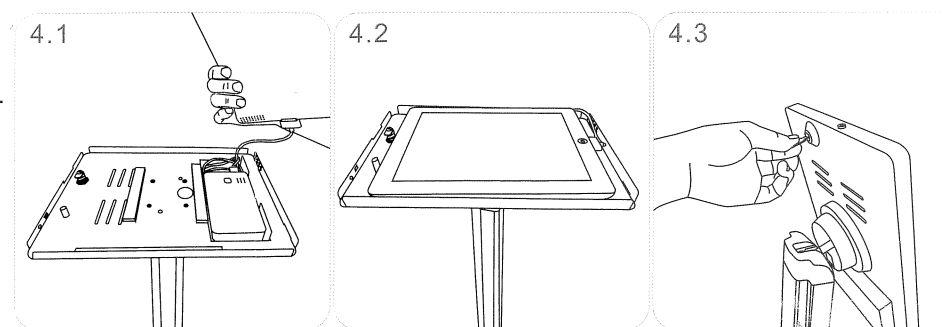
■ 3.4 Secure the enclosure with socket screw by hex key.

### Step 4 Installing iPad / Power Bank\* into the Enclosure

■ 4.1 If Power Bank is required, place the power bank in the space reserved in the enclosure\* and connect to iPad.

■ 4.2 Place the iPad and route well the cable and connector.

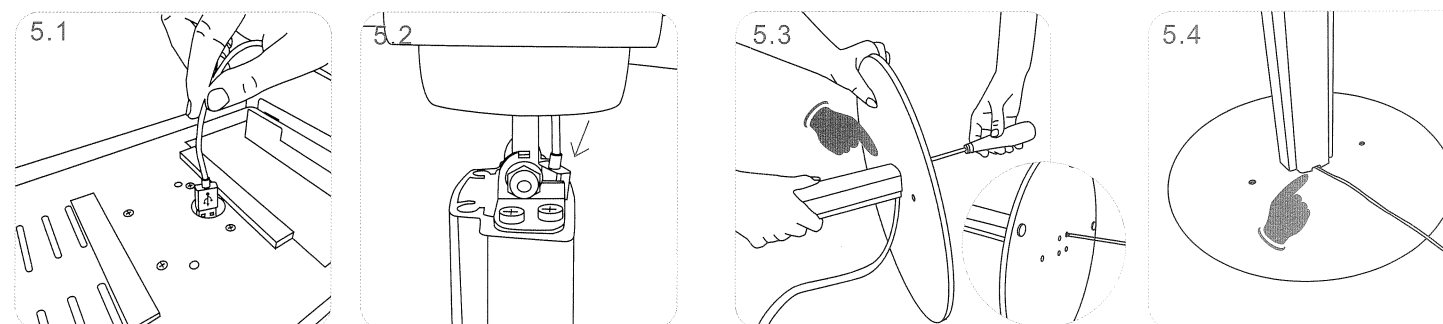
■ 4.3 Close the Enclosure as **step 3**. To lock the Enclosure for security if required (A4)



\* Some Enclosures may not have power bank space reserved, contact your retailer for details. The power bank could be fixed to the Enclosure with Velcro touch fastener.

### Step 5 Installing the data/power cable

When install the data/power cable through the Pedestal is required, Please skip step 1, go **step 2** → **step5** → **step 4** → **step 3**.



■ After attaching the Enclosure to the top end of Pedestal, follow step 3 to remove the top cover of the Enclosure.

■ 5.1 Thread the USB end of data/power through the center hole of the Enclosure.

■ 5.2 Route the cable through the Pedestal.

■ 5.3 Use screw driver to fix the Base with M5 Flat head screws (A5) to the Pedestal.

■ 5.4 The cable must go through the Pedestal and out from the mounting hole.

This is a 2-person job.  
Suggest to place the Pedestal/Enclosure assembly on the desk or workbench.

■ 5.5 Place the iPad into the Enclosure and connect cable.

Now is a good time to test the power going to the iPad.  
Plug the power/data cable and power adapter into a wall socket and confirm the iPad is getting power.

■ Close the Enclosure as step 3 instructed.

■ 5.6 Use the hex key (A2) to fix the Head cup (A1) with

