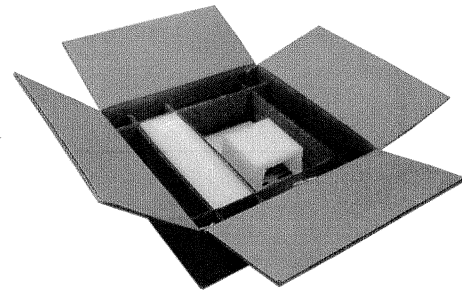


iPad KIOSK STAND Counter Top

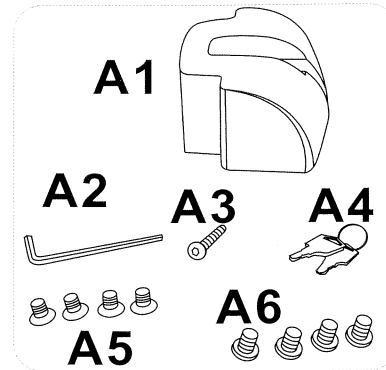
Quick Starter Guide



What's in the boxes
Enclosure/Hinge bracket assembly
25cm Aluminum Column
Base, Accessories bag

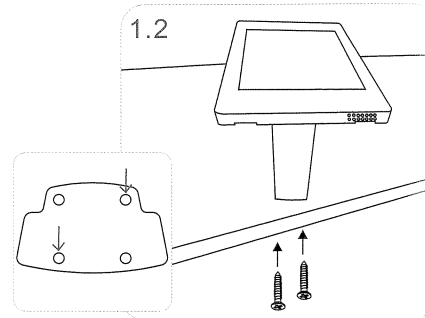
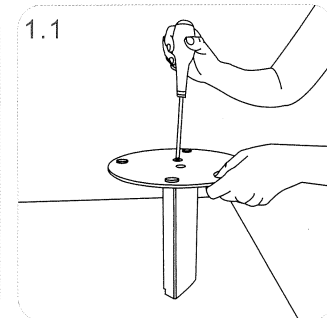
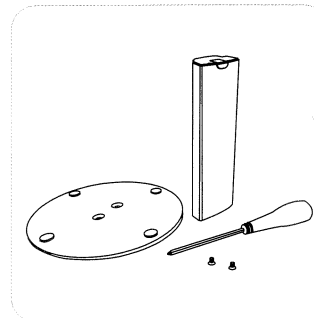
accessories list:
A1:Head cup (plastic, 1pce)
A2:1/4" Hex key (M5, 1pce)
A3:Socket head screw L:30mm (1pce)
A4:Keys (2pcs)
A5: M5*20mm Flat head phillips screw (2pcs)
A6:M5*8mm Round head phillips screws (4pcs)

Items/Tools required:
(1) Screw driver
(2) iPad
(3) iPad data/power cable
(4) Power bank

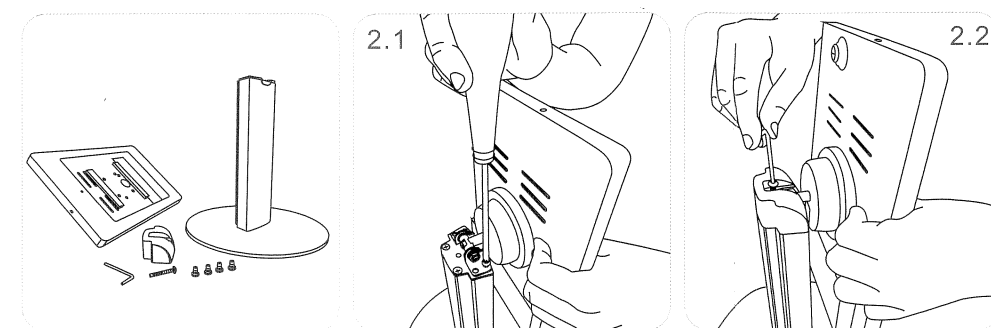


Step 1 Attaching the Base to the Column

- 1.1 Up side down the Column and Base, fix the Base with M5 Flat head screws (A5)
- 1.2 The stand (column) could be mounted to desk without base. Use gauge to mark where you would like to fix the column, tighten the column from under the desk (counter).

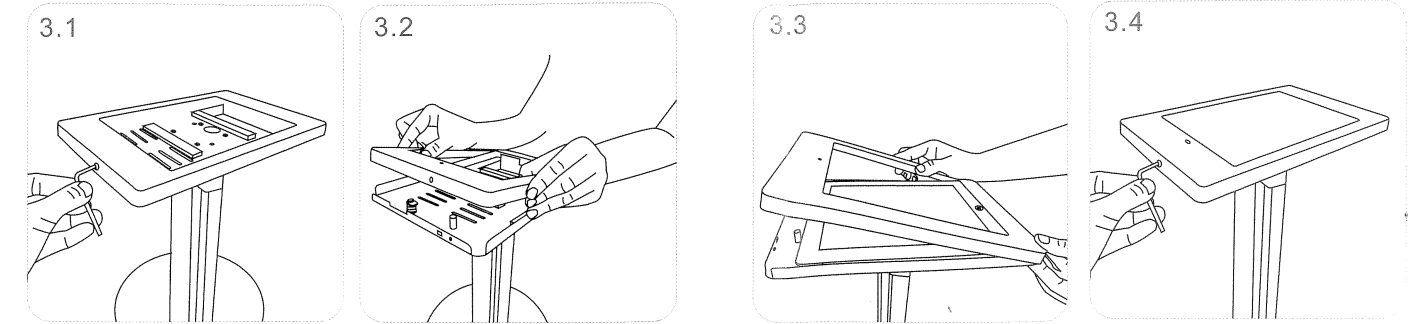


Step 2 Attaching the Enclosure to the Column



- The Enclosure is fully assembled with Hinge bracket.
- 2.1 Align the Hinge bracket to the top end of the Pedestal, using the screw driver to fix M5 Round head screws (A6) through the Hinge bracket into the Pedestal.
- 2.2 Use the Hex key (A2) to fix the Head cup (A1) with socket-head screw. (A3)

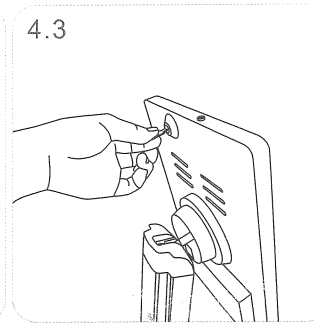
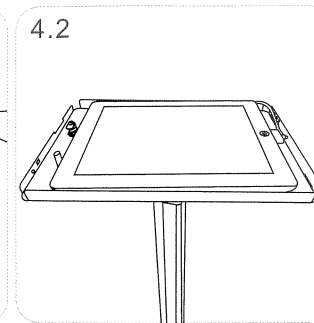
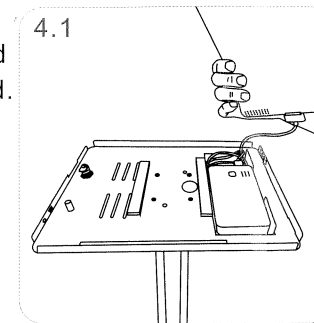
Step 3 How to open/close the Enclosure



- 3.1 Position the enclosure to face top. Use the Hex key (A2) to unscrew on the top end of enclosure.
- 3.2 Lift the front cover of the Enclosure from top end.
- 3.3 Close the top cover from the bottom end of the enclosure.
- 3.4 Secure the enclosure with socket screw by hex key.

Step 4 Installing iPad / Power Bank* into the Enclosure

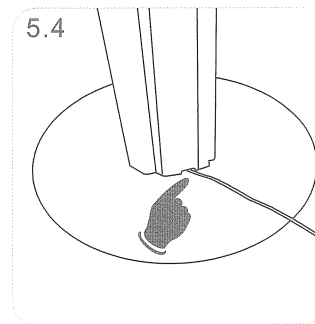
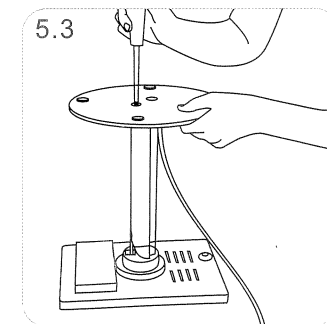
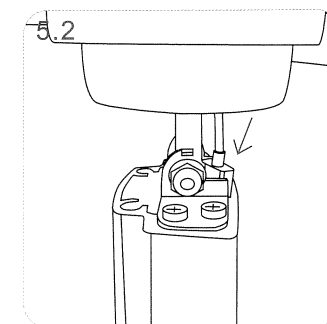
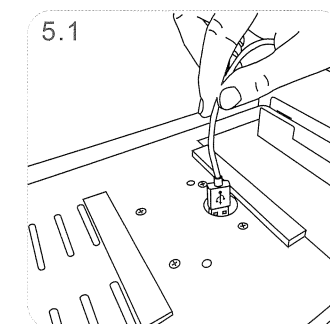
- 4.1 If Power Bank is required, place the power bank in the space reserved in the enclosure* and connect to iPad.
- 4.2 Place the iPad and route well the cable and connector.
- 4.3 Close the Enclosure as step 3. To lock the Enclosure for security if required (A4)



* Some Enclosures may not have power bank space reserved, contact your retailer for details. The power bank could be fixed to the Enclosure with Velcro touch fastener.

Step 5 Installing the data/power cable

When install the data/power cable through the Column is required, Please skip step 1, go **step 2** → **step 5** → **step 4** → **step 3**.



- After attaching the Enclosure to the top end of Column, follow step 3 to remove the top cover of the Enclosure.
- 5.1 Thread the USB end of data/power through the center hole of the Enclosure.
- 5.2 Route the cable through the Column.
- 5.3 Use screw driver to fix the Base with M5 Flat head screws (A5) to the Column.
- 5.4 The cable must go through the Pedestal and out from the mounting hole.
- 5.5 Place the iPad into the Enclosure and connect cable.

Now is a good time to test the power going to the iPad. Plug the power/data cable and power adapter into a wall socket and confirm the iPad is getting power.

- Close the Enclosure as step 3 instructed.
- 5.6 Use the hex key (A2) to fix the Head cup (A1) with socket head screw (A3).

