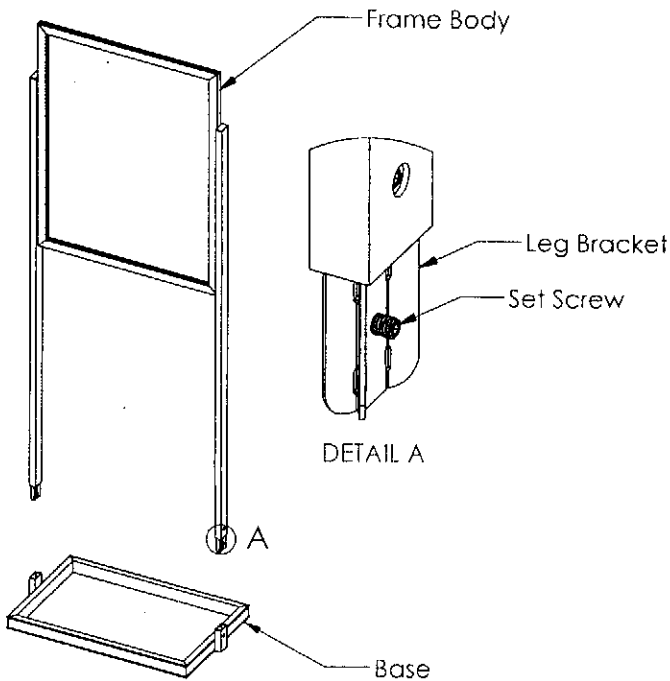


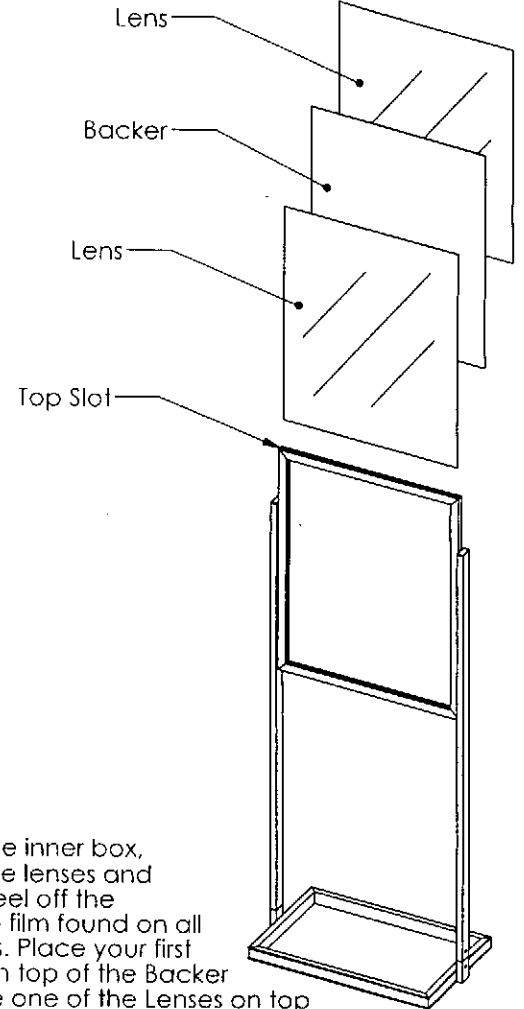
# MFPH Assembly Instructions

## Components:

- Frame Body (1)
- Base (1)
- Hardware Kit (1)
- \* INNER BOX with...
  - Lens (2)
  - Backer (1)

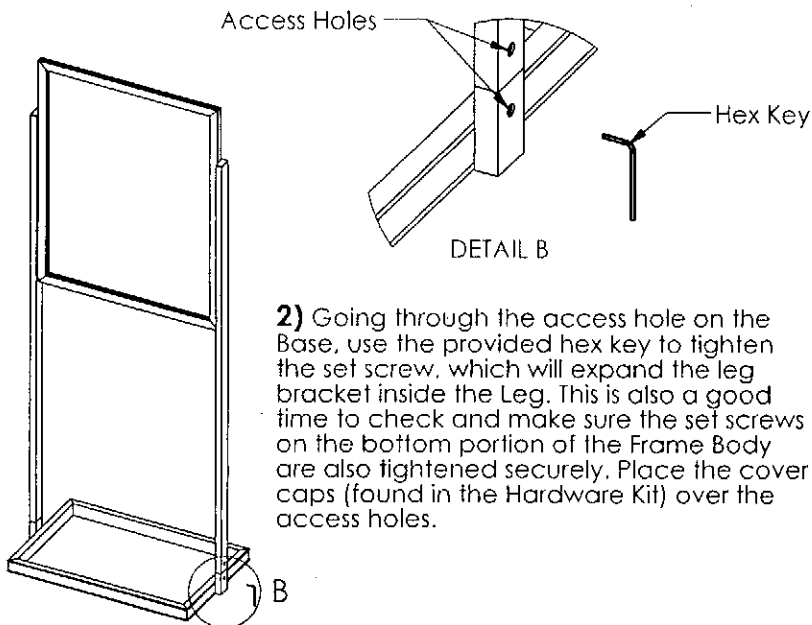


**1)** Lay the poster holder on a carpeted surface or blanket to assemble the Base to the bottom of the Legs. With the Base on the floor, insert both sets of leg brackets into the Base. Make sure that the set screws line up with the access holes found on the Base.



**3)** From the inner box, remove the lenses and backer. Peel off the protective film found on all the pieces. Place your first graphic on top of the Backer and place one of the Lenses on top of your graphic. Repeat on the opposite side for your second graphic. With both graphics in place, grasp the sides of the panels and insert it into the frame through the slot on top.

**\* NOTE:** Make sure that the graphics, lenses, & backer are completely inserted into the bottom center track of the frame.



**2)** Going through the access hole on the Base, use the provided hex key to tighten the set screw, which will expand the leg bracket inside the Leg. This is also a good time to check and make sure the set screws on the bottom portion of the Frame Body are also tightened securely. Place the cover caps (found in the Hardware Kit) over the access holes.

Fully Assembled MFPH Poster Holder

