

**DIRECTION SHEET FOR ASSEMBLING MODEL NO. 84 VERSA-RACK**

<u>PART NO.</u>	<u>QUANTITY</u>	<u>DESCRIPTION</u>
A	1	LEFT SIDE BASE FRAME
B	1	RIGHT SIDE BASE FRAME
C	3	CROSS BAR
D	1	LEFT TOP TUBE WITH HOLES.
E	1	RIGHT TOP TUBE WITH HOLES.
F	6	LONG BOLT
G	2	SHORT BOLT

REFER TO FIGURE (1.)

SCREW DRIVER REQUIRED TO ASSEMBLE RACK

1. ATTACH LEFT SIDE BASE FRAME (A) TO RIGHT SIDE BASE FRAME (B) WITH THE CROSS BARS (C) USING FOUR LONG BOLTS (F). CROSS BAR (C) WITH WIRE SIGN HOLDER ATTACHED SHOULD BE USED TO ASSEMBLE TOP OF RACK.
2. INSERT LEFT TOP TUBE WITH HOLES (D) INTO OPEN END OF LEFT SIDE BASE FRAME (A) AND SECURE WITH SHORT BOLT (G) HOLES IN TUBES A & D MUST LINE UP SO THAT THE SHORT BOLT WILL PASS THRU. REPEAT WITH RIGHT SIDE OF RACK.
3. ATTACH TOP CROSS BAR (C) TO THE TOP OF RACK. WITH LONG BOLTS. BE SURE ALL BOLTS ARE SECURED TIGHTLY.

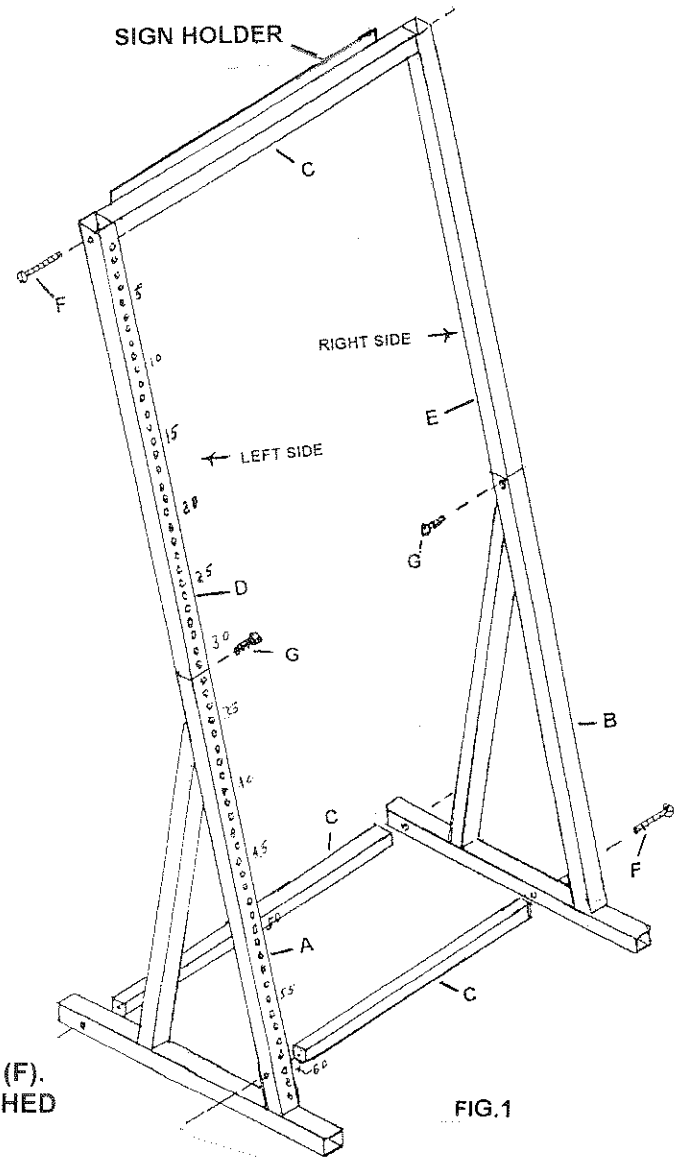


FIG.1

**WHERE TO POSITION VERSA-RACK TIERS**

FOR DVD'S, USE HOLES 1,10,20,30,40,50,60

FOR CD'S, USE HOLES 1,8,16,24,32,40,48,56

FOR BASKETS, USE HOLES 1,14,28,42,56

FOR SHELVES, USE HOLES 1,10,20,30,40,50

FOR HOOKS, USE HOLES 1,11,22, 33,44,55

FOR CAPS, USE HOLES 1,10,20,30,40,50,60