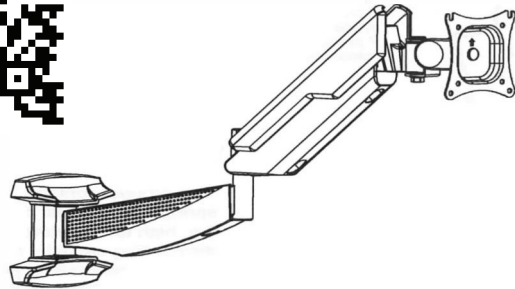


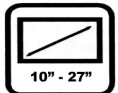
ASSEMBLY INSTRUCTIONS

WMTFX2BKV2 - MONITOR WALL MOUNT

Scan QR code to visit the product page:



Mounting pattern



Suggested screen sizes

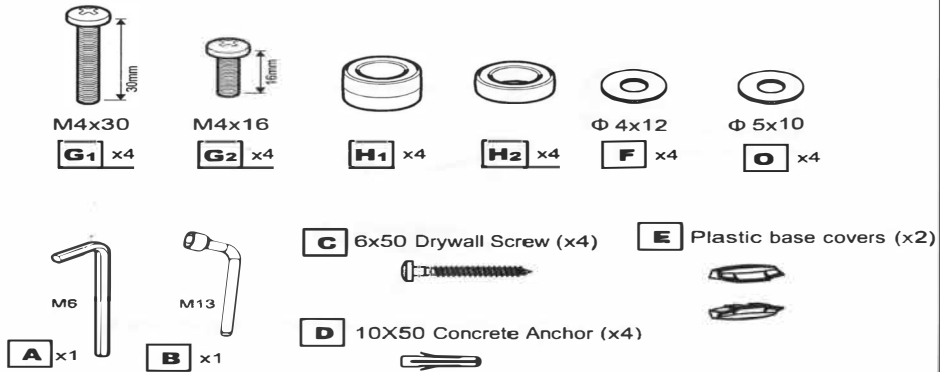


Max Load



Tilt Range

Screw bag contents

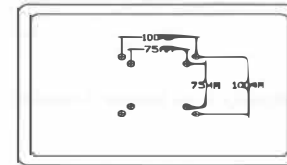


Before you begin :

Preparing to install a monitor

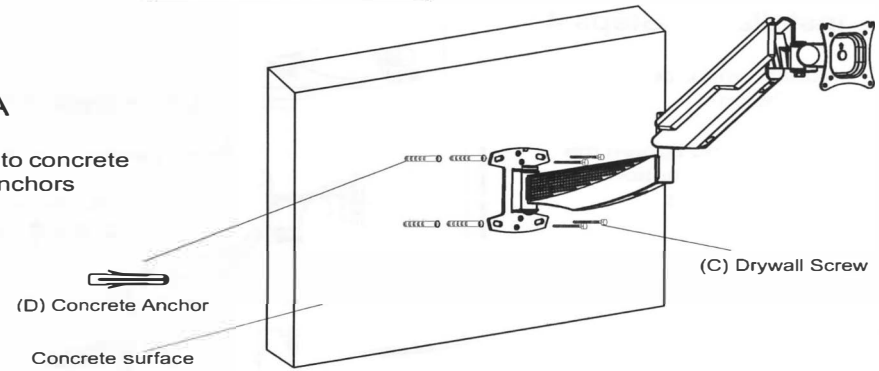
1. Check your monitor for 75x75mm or 100x100mm VESA standard mounting patterns. Monitors without mounting holes cannot be installed to this mount. (Please note: some monitors use these mounting holes to install a standing base. You may be able to remove a pre-installed base on your monitor to reveal compatible mounting holes.)

2. If your monitor has a fixed base, it will need to be removed prior to installation onto the gas spring mount. Be careful not to scratch or damage your monitor when removing components.



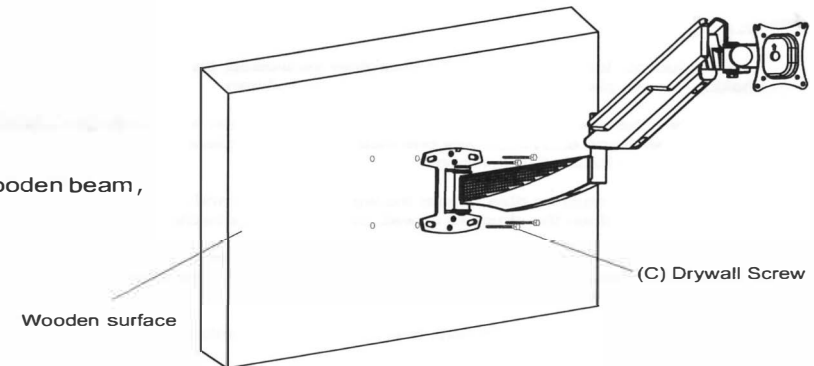
Step 2-A

Installing onto concrete wall using anchors



Step 2-B

Installation onto wooden beam, post, or wall

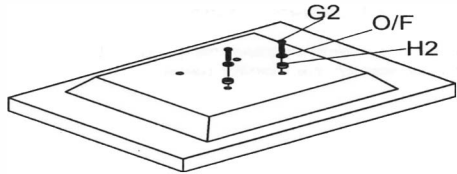


ASSEMBLY INSTRUCTIONS

WMTFX2BKV2 - MONITOR WALL MOUNT

Step 3-A

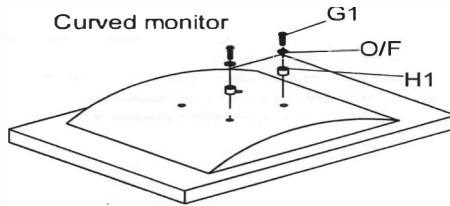
Flat monitor



Screw two screws into the top two mounting holes, making sure to leave untightened about 3mm to 4mm

Step 3-B

Curved monitor



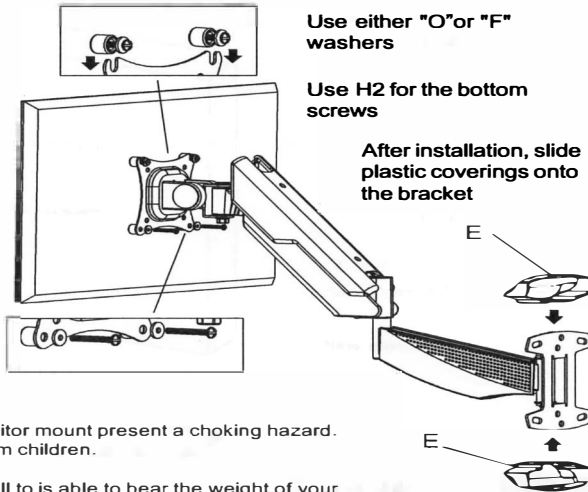
Step 4

Installing a monitor onto the mounting bracket

Hang the monitor on the mounting bracket

Screw two additional screws into the remaining mounting holes

Tighten all screws



Use either "O" or "F" washers

Use H2 for the bottom screws

After installation, slide plastic coverings onto the bracket

Warning:

The small parts included with this monitor mount present a choking hazard. Please keep any small parts away from children.

Ensure that the wall you intend to install to is able to bear the weight of your monitor for prolonged periods of time.

Please read all instructions and ensure that you understand them fully before attempting installation. If you are unclear on any of the instructions, seek professional installation assistance. Be sure to wear the appropriate safety gear, like eye protection, during installation.

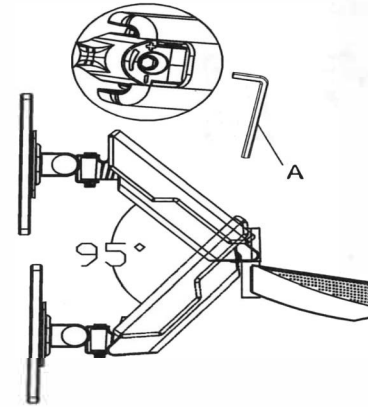
Ensure that you have the proper tools and enlist help if the installation proves difficult on your own. The lack of proper safety gear and appropriate tools can lead to serious injury or damage to personal property.

Ensure that all screws and connections are properly tightened. As these can come loose over time, it is recommended that you make routine checks of all screws and connections once every two months.

This product is for indoor use only. Outdoor use may result in damage to the item or personal injury.

If you have any questions regarding our products, please visit us at www.displays2go.com or contact D2G customer service at 844-221-3388.

Step 5 Adjusting the gas spring arm



After a monitor has been installed, the angle of the gas spring arm can be adjusted up or down by 95 degrees.

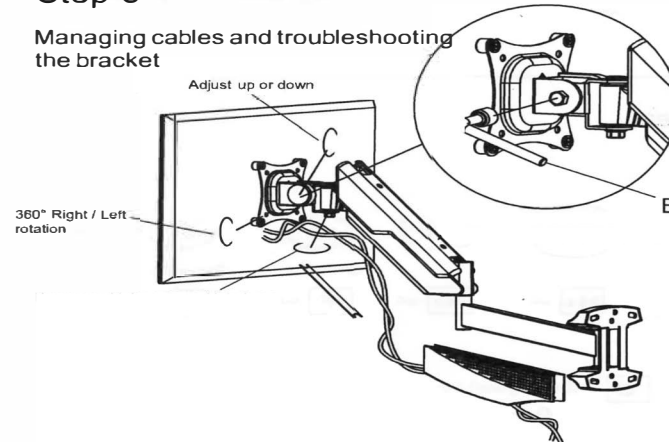
If the arm does not move downward when you apply gentle force, or springs back from the down position, use the included Allen wrench to turn the adjustment screw toward the "-" symbol to decrease the pressure and try again.

If the arm droops and will not remain in the up position, set it to the up position and use the included Allen wrench to turn the adjustment screw toward the "+" symbol to increase the pressure.

Warning: This mount contains high pressure gas spring parts. Do not expose to high heat or fire. Do not attempt to dismantle or modify the gas spring, as this could cause serious injury to occur.

Step 6

Managing cables and troubleshooting the bracket



If the VESA bracket droops, remove the plastic protective cap and tighten screw with a socket wrench

The plastic covering of the first arm joint can be gently removed by pulling it slightly apart and lifting off the arm. Cables can then be threaded through before re-attaching the plastic covering for cable management.

MADE IN CHINA