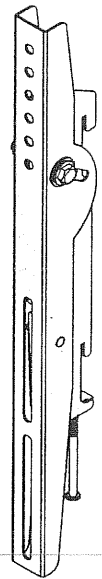
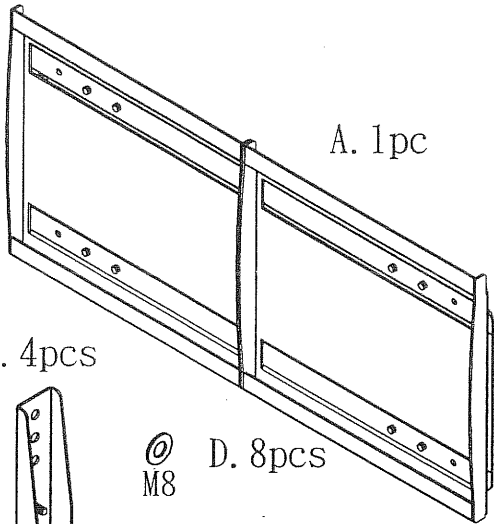


B. 2pcs



A. 1pc



C. 4pcs



⊙ D. 8pcs
M8

⊙ E. 8pcs
M8

G. 1pc

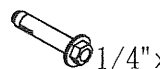


F. 4pcs/each



for wood stud mounting

#14 #14x2"



for concrete surface mounting

1/4"x2"

H. M4x16 6pcs

M4x35 6pcs

M5x16 6pcs

M5x35 6pcs

M6x16 6pcs

M6x35 6pcs

M8x16 6pcs

M8x35 6pcs

I. Washers

⊙ M5x6pcs

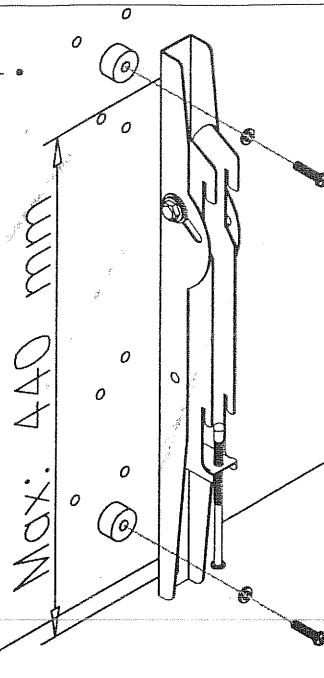
⊙ 1/4" 6pcs

⊙ M8x6pcs

Max Load: 60 Kgs

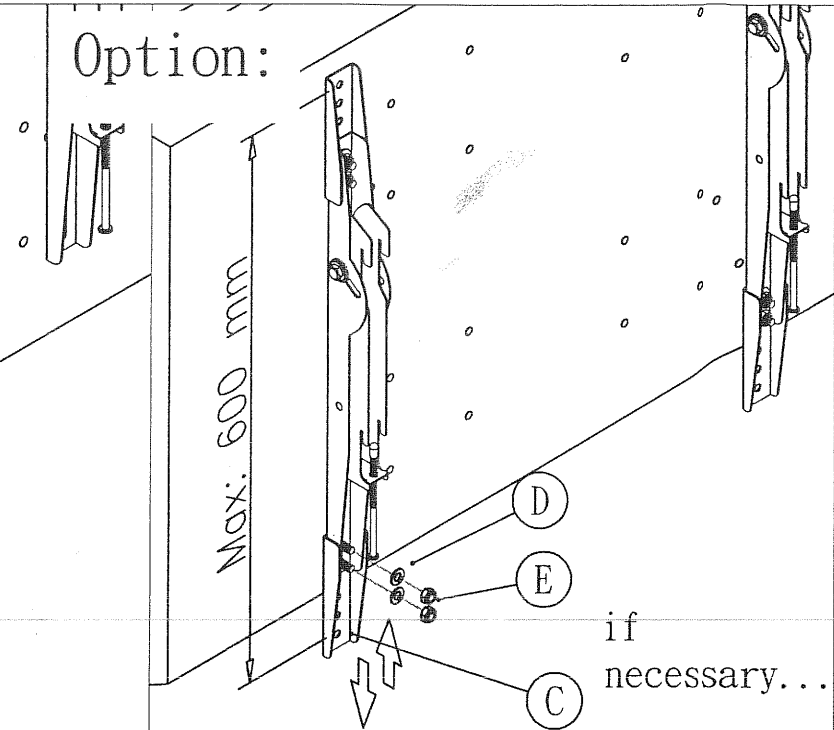
9400B900-00 1/2 2010/12/10

1.



Max: 440 mm

Option:

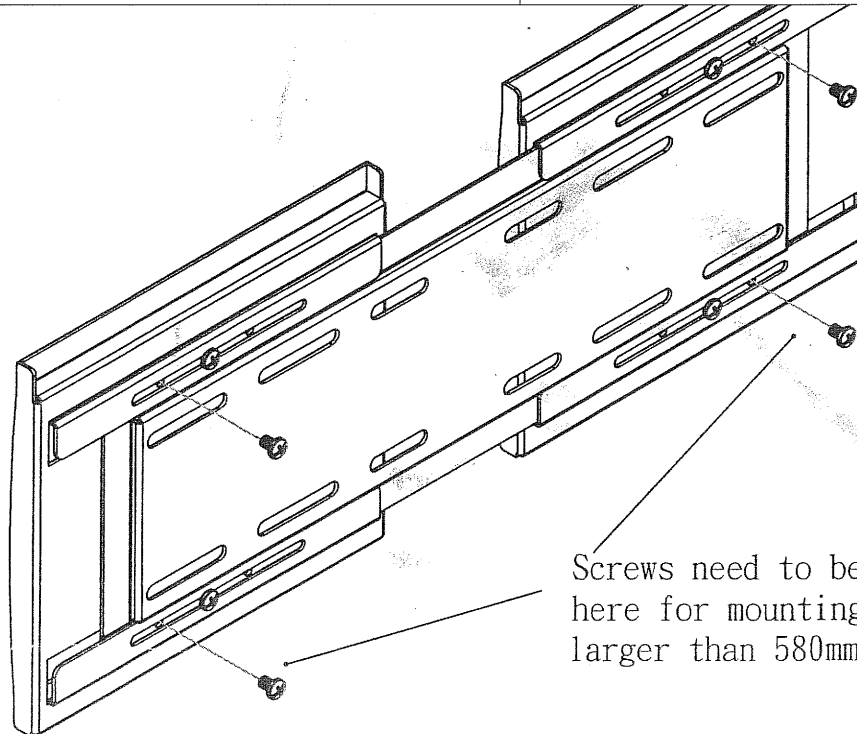


Max: 600 mm

⊙ D
⊙ E
⊙ C

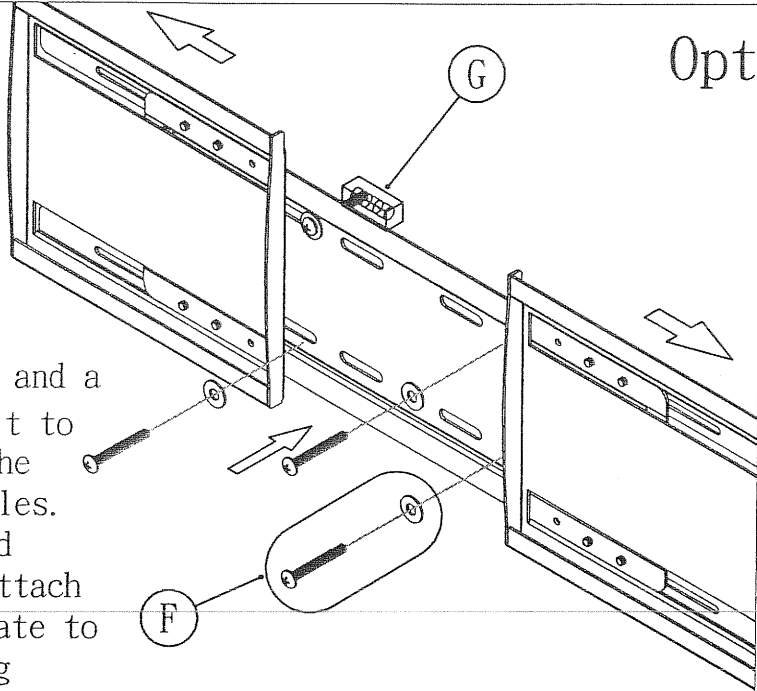
if necessary...

2.



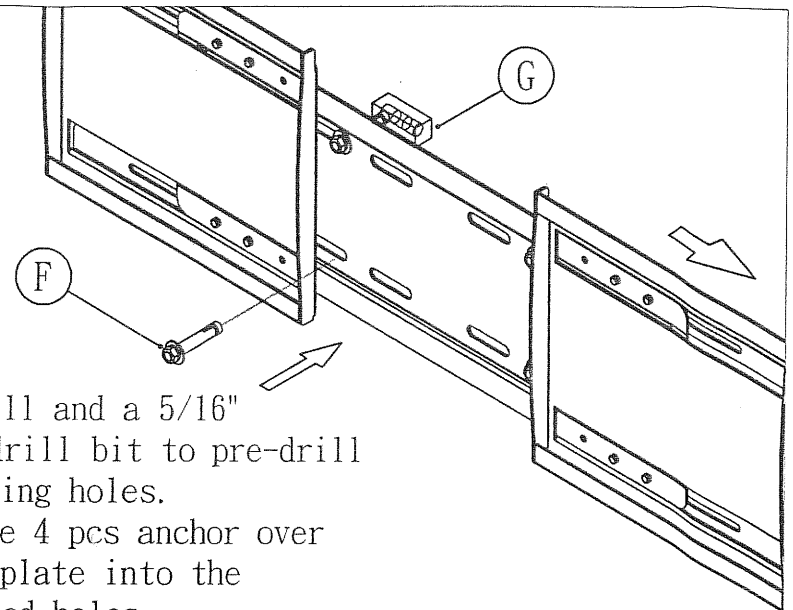
Screws need to be moved here for mounting size larger than 580mm

3.



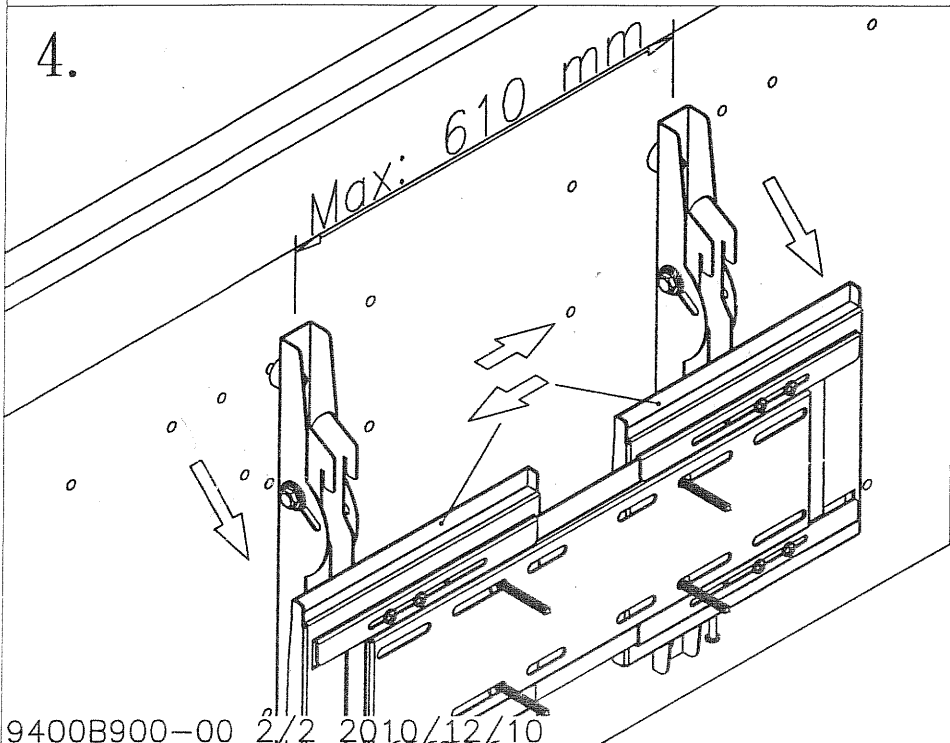
1. Use a drill and a 1/8" drill bit to pre-drill the mounting holes.
2. Use the wood screws to attach the back plate to the mounting surface.

Option:

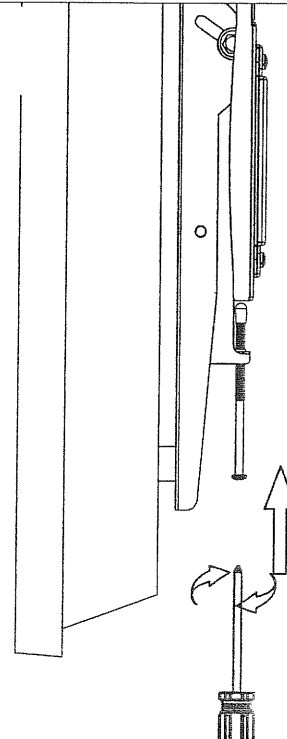


1. Use a drill and a 5/16" masonry drill bit to pre-drill the mounting holes.
2. Insert the 4 pcs anchor over the back plate into the pre-drilled holes.
3. Use a 10mm socket and socket wrench to tighten the anchors.

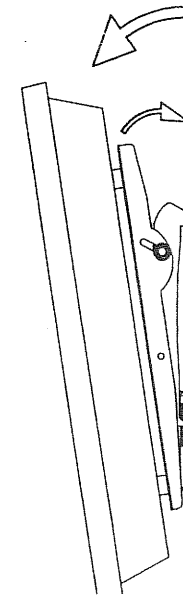
4.



5.



6.



Tilting screen if necessary...