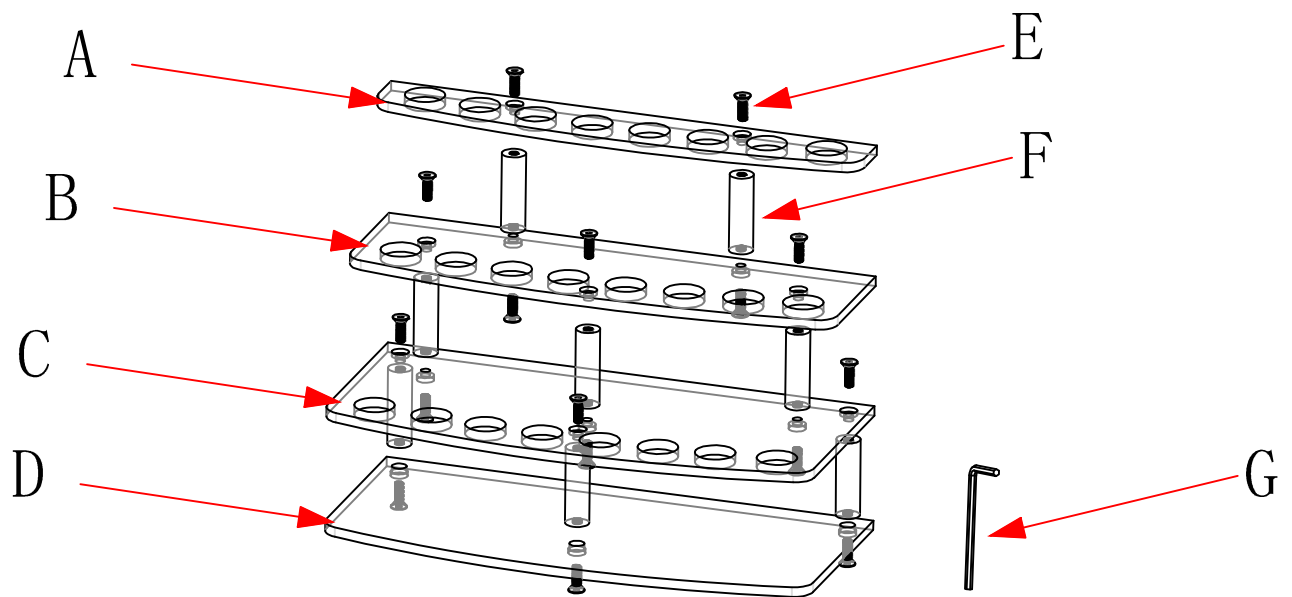
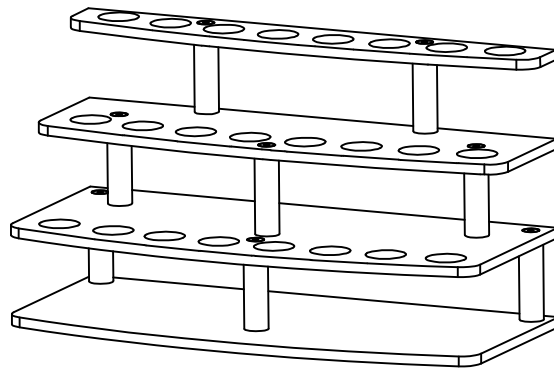


VPACRCNTR6



| PART | NAME | Quantity |
|------|----------------|----------|
| A | Top panel | 1 PCS |
| B | Middle panel 1 | 1 PCS |
| C | Middle panel 2 | 1 PCS |
| D | Bottom panel | 1 PC |
| E | Round pole | 8 PCS |
| F | Screws | 16 PCS |
| G | Allen key | 1 PC |