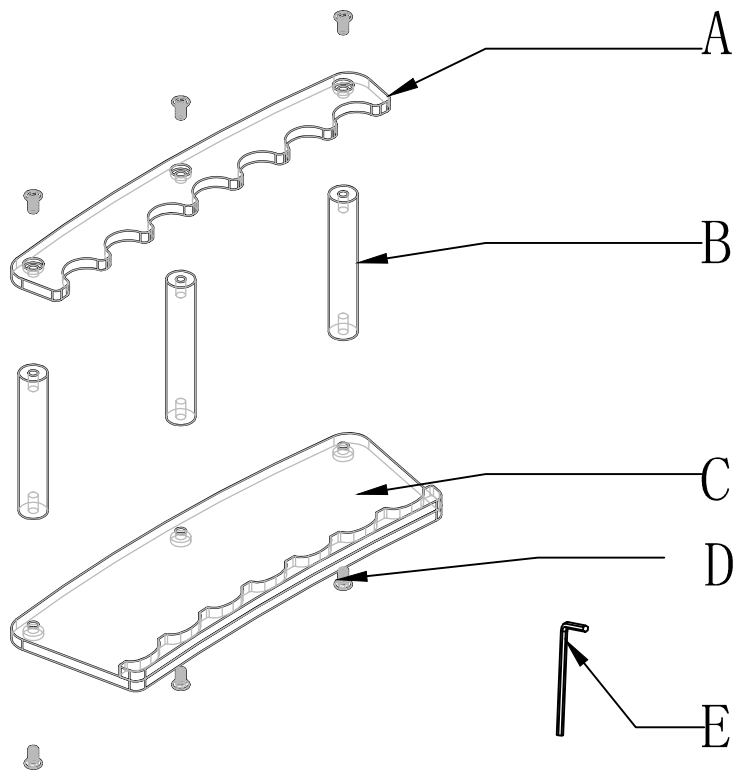
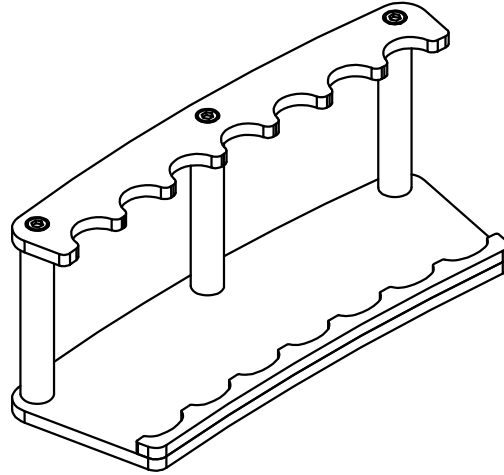


VPACRCNTR5



PART	NAME	Quantity
A	Top panel	1 PC
B	Round pole	3 PCS
C	Base	1 PC
D	Screws	6 PCS
E	Allen key	1 PC