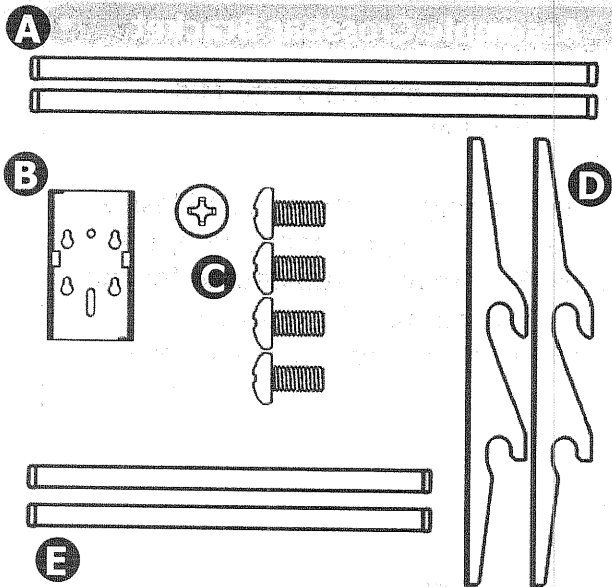


LCD Bracket 111_1109 Assembly Instructions



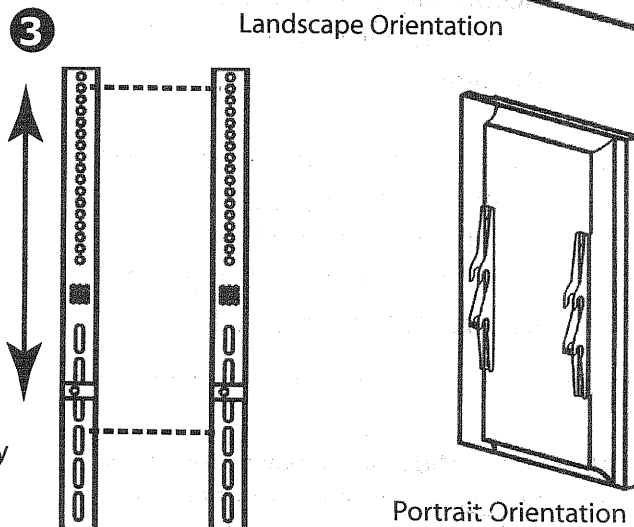
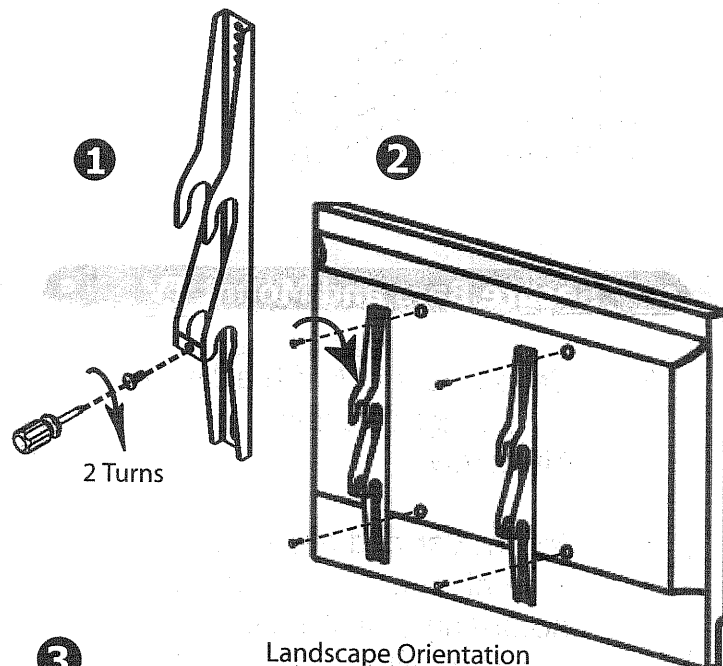
What Is In The Box

A.	Long Bars	2
B.	Mid Bracket	1
C.	M8 Screws	4
D.	Hanger	2
E.	Short Bars*	2
	Instruction Sheet	1

*Use in place of Long Bars for smaller LCD/Plasma screens.

1. Insert M8 screw into each hanger. Two full turns only.
2. Using hardware provided with Plasma/LCD, screw hangers into mounting holes on back of screen. If display allows, hangers may be installed so that the screen is in either landscape or portrait orientation.
3. Check that the same holes on each hanger are used when mounting to the TV. This will help keep the screen level.*

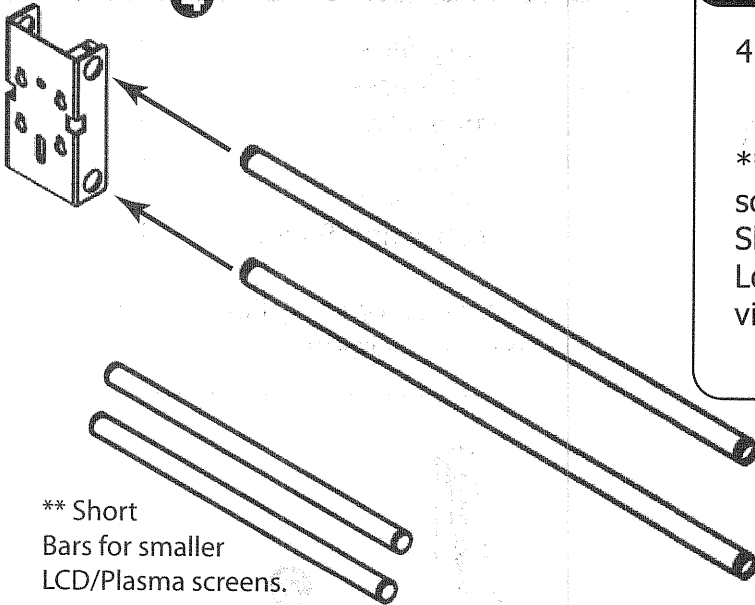
* Note! The height of the screen on the display may be adjusted by using different mounting holes on the hangers.



Use Same Holes for Level Screen

LCD Bracket 111_1109 Assembly Instructions

4



** Short Bars for smaller LCD/Plasma screens.

Assemble Crossbar Bracket

4. Insert Long Bars into Mid Bracket. **

** Depending on size of LCD/Plasma screen and hanging orientation, the Short Bars may be substituted for the Long Bars so that the bars are not visible from the front of the display.

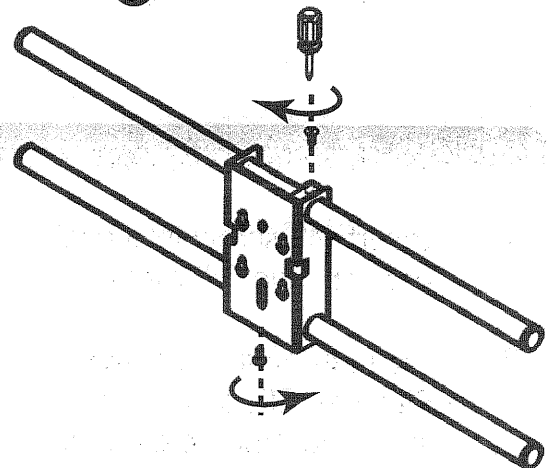
Secure Bars and Mount TV

5. Center Bars in Mid bracket and secure tightly using supplied M8 screws.
6. Mount Bar and Mid Bracket assembly to purchased display according to instructions provided with that particular display.

Hook hangers onto cross bars. Check that LCD/Plasma screen is centered on bracket and tighten screws on hangers to secure screen to bracket.

#Flat face of Mid Bracket may be toward or away from LCD/Plasma screen. Check the instructions provided with the display this bracket is mounting for proper orientation.

5



6

