

# Assembly Instruction for 3-shelf Utility Cart

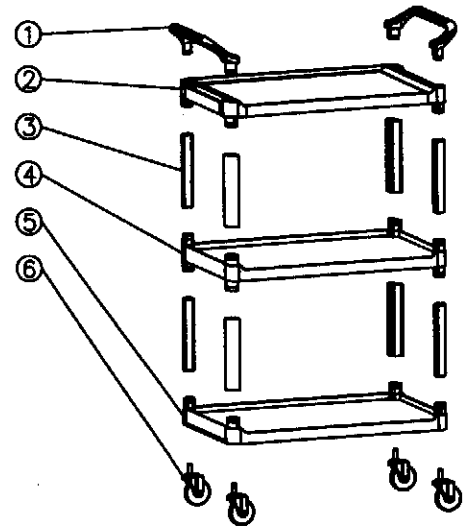
**Remarks**

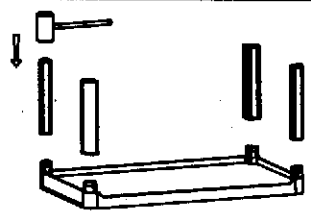
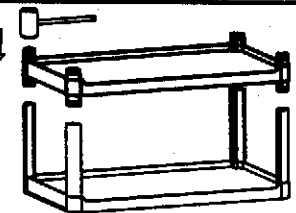
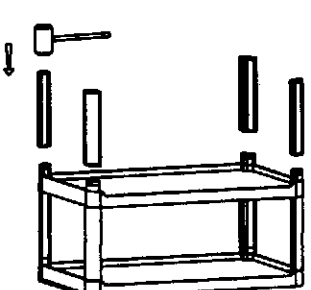
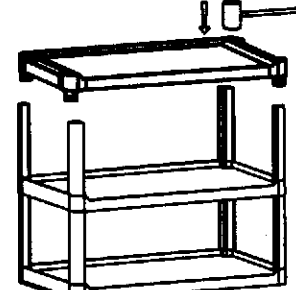
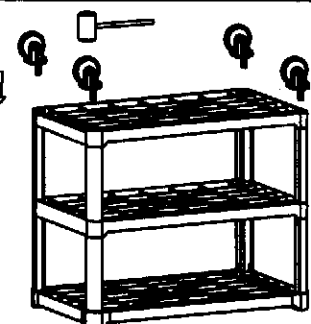
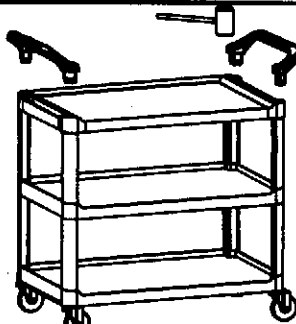
Before assembly, please:

1. read this instruction carefully.
2. prepare A rubber hammer.

**components**

- |                  |      |
|------------------|------|
| 1. handle        | 2PCS |
| 2. top shelf     | 1PC  |
| 3. aluminium rod | 8PCS |
| 4. middle shelf  | 1PC  |
| 5. bottom shelf  | 1PC  |
| 6. caster        | 4PCS |



<p>1. wedge 4PCS aluminium rod above bottom shelf.</p> 	<p>2. wedge middle shelf on aluminium rods.</p> 
<p>3. wedge other 4PCS aluminium rod above middle shelf.</p> 	<p>4. wedge top shelf.</p> 
<p>5. turn the cart upside down, plug in 4PCS caster.</p> 	<p>6. turn over the cart then plug in 2PCS handle.</p> 

7. assembly completed.

