

**TVSTNTR51 plasma / LCD Trolley Adaptor
for 22-60" screens
Instruction manual**

SAFETY WARNING!

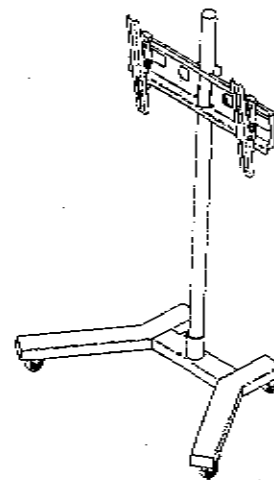
INSTRUCTIONS MUST BE FOLLOWED PRECISELY FOR SAFE AND STABLE INSTALLATION

1. *Before installation read carefully this instruction manual and instruction manual of mounts and your plasma/LCD screen for proper installation.*
2. *Installation of this unit should be carried out by qualified technicians.*
3. *Seller is not liable for any damage or injury caused by mishandling or improper installation.*
4. *TVSTNTR51 Trolley assembled with bracket and plasma/LCD screen make up one unit.*
5. *It is forbidden to weigh down the set with other components, because it may cause a loss of stability and may cause damage or injury*
6. *It is forbidden to move a trolley by somebody not authorized. In case the floor is not flat the trolley should be moved only by two authorized individuals.*

TVSTNTR51 Trolley Adapter assembled with bracket

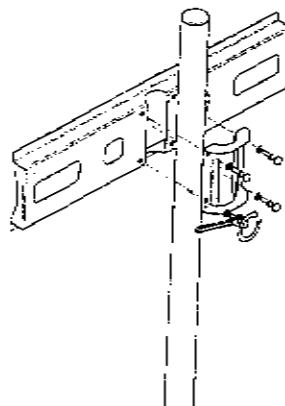
List of components:

1. Base plate- 1 pcs.
2. Pipe - 1 pcs.
3. Mounting head - 1 pcs.
4. Fixings and fixtures - 1 bag
5. Instruction manual - 1 pcs.
6. Wall bracket (supplied) - 1 pcs.



1. Assembling wall bracket to trolley TVSTNTR51

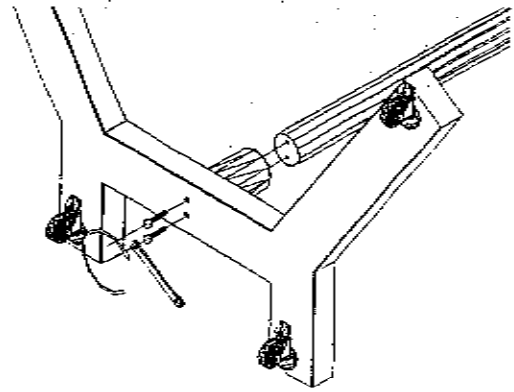
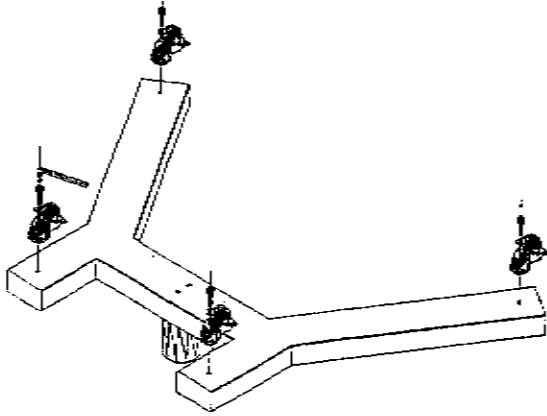
Screw together wall bracket (supplied) with trolley using 4 sets of screws, washers and nuts see the picture below.



Attention! After screwing together everything please tighten all screws and nuts.

2 . Assembling wheels to the base plate and assambling base plate with pipe

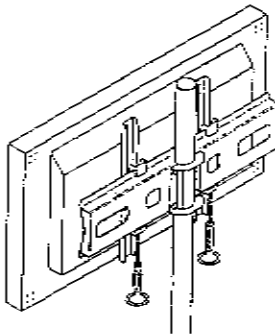
Assemble wheels to the base plate using 4 screws, washers, and caps (supplied) using key no 17 (not supplied). Then put pipe in mounting holes on base plate and then tighten with two screws through the holes in bottom part of base plate.



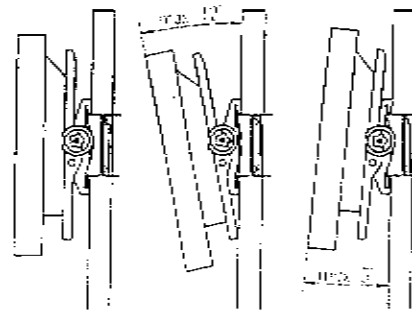
Attention! Mishandling or improper installation may cause damage or injury

3 . Screen tilt adjustement

Before tilt adjustment please make sure that the screen is secured with two security screws.



In order to change the tilting angle of your plasma/ LCD screen use 2 knobs – see the picture below



MAINTENANCE

Before maintenance of wall mount it is necessary to turn off and unplug plasma/LCD screen.

Wipe the Trolley up with dry cloth. If the wall mount is very dirty, it is necessary to remove the dirt first with neutral cleaner diluted with water, and than wipe the mount up with dry cloth. You can not use such cleaners like solvent, furniture wax as it may cause peeling off of the powdercoated metal parts.