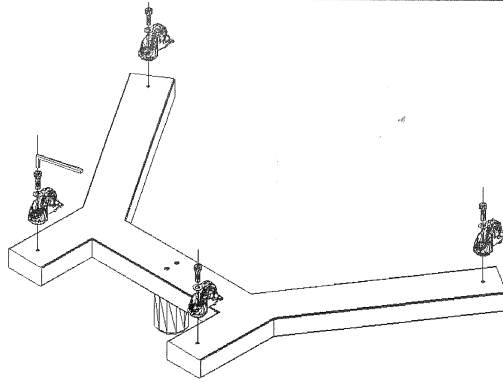


2. Assembling wheels to the base plate

Assemble wheels to the base plate using 4 screws, washers, and caps (supplied) using key no 17 (not supplied). Tighten the screws with key using appropriate force (if any doubt about the force please consult the authorized personnel).

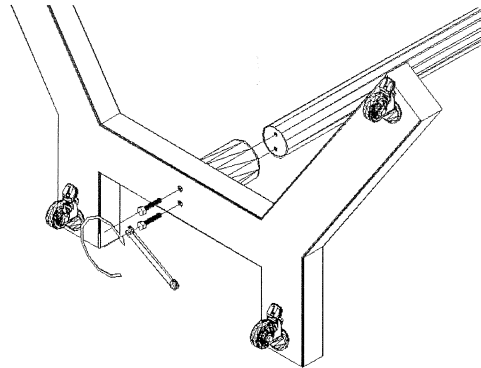
Attention! Mishandling or improper installation may cause damage or injury.



3. Assembling base plate with pipe

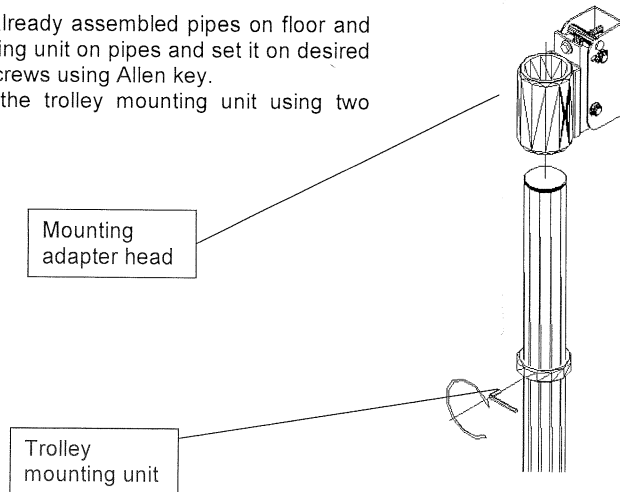
Put pipe in mounting holes on base plate and then tighten with two screws through the holes in bottom part of base plate. Tighten the screws with key using appropriate force (if any doubt about the force please consult the authorized personnel).

Attention! Mishandling or improper installation may cause damage or injury.



4. Assembling mounting head on pipe

Place a base plate with already assembled pipes on floor and then put the trolley mounting unit on pipes and set it on desired height blocking it with 4 screws using Allen key. Mount adapter head to the trolley mounting unit using two screws.

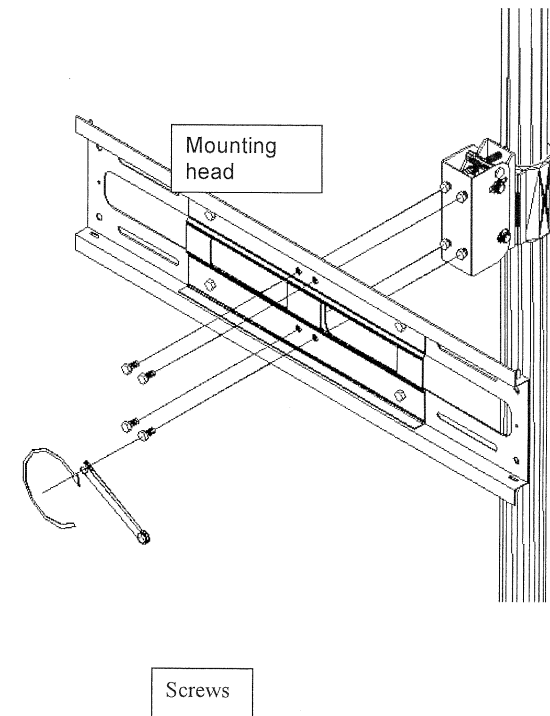


5. Assembling back plate with mounting head of TVSTNTR2M

Screw bracket back plate together with TVSTNTR2M mounting head using 4 M8 screws.

Attention! After screwing together everything please tighten all screws and nuts.

Further steps should be carried out according to // instruction manuals.

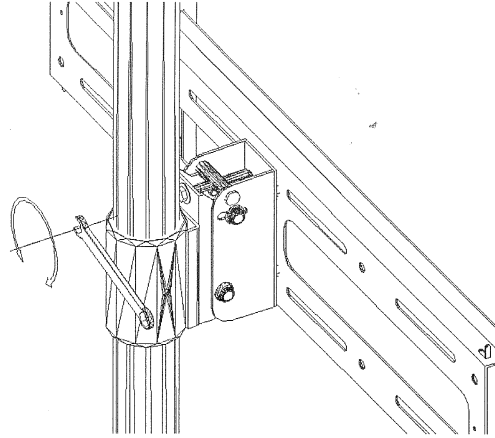


6 Screen tilt adjustment

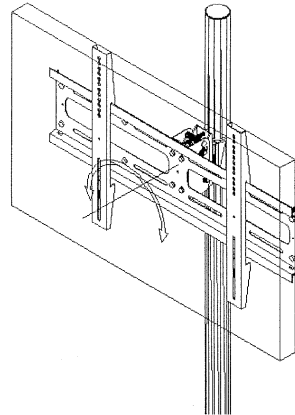
Before tilt adjustment please make sure that the screen is secured with two security screws (instruction manual).

TVSTNTR2M trolley has function of screen tilt adjustment and a function of side-to-side correction.

In order to change the tilting angle of your plasma / LCD/LED screen use a key No.13 (not supplied) to turn the adjustment screw clockwise (the screens go to vertical position) or counterclockwise (the screen tilts down).



In order to perform side-to-side correction of your plasma/LCD/LED screen please grab a screen and rotate it slightly in desired position.



7 Maintenance

Before maintenance of wall mount it is necessary to turn off and unplug plasma/LCD/LED screen.

Wipe the screen up with dry cloth. If the wall mount is very dirty, it is necessary to remove the dirt first with neutral cleaner diluted with water, and than wipe the mount up with dry cloth. You can not use such cleaners like solvent, furniture wax as it may cause peeling off of the powdercoated metal parts.

TVSTNTR2M

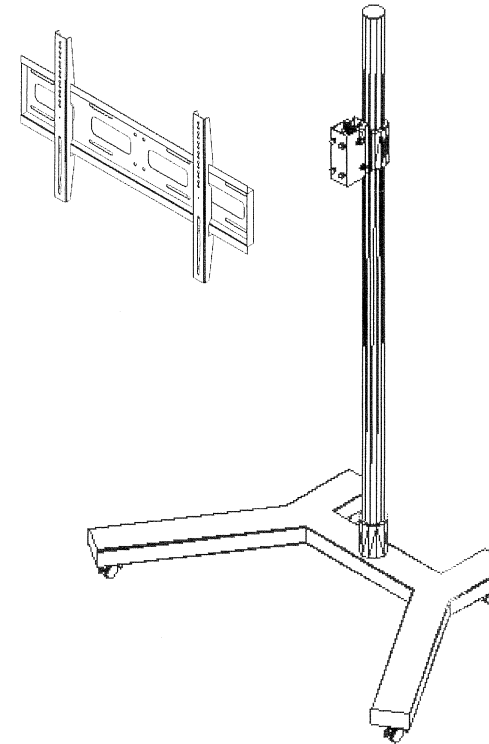
Plasma/LCD/LED Trolley for 22"-60"
Instruction manual

SAFETY WARNING!

INSTRUCTIONS MUST BE FOLLOWED PRECISELY FOR SAFE AND STABLE INSTALLATION

1. Before installation read carefully this instruction manual and instruction manual of brace your plasma/LCD/LED screen for proper installation.
2. Installation of this unit should be carried out by qualified technicians.
3. EDBAK is not liable for any damage or injury caused by mishandling or improper install.
4. TVSTNTR2M Trolley assembled with bracket and plasma/LCD/LED screen make up one stability and may cause damage or injury.
5. It is forbidden to weigh down the set with other components, because it may cause a stability and may cause damage or injury.
6. It is forbidden to move a trolley by somebody not authorized. In case the floor is not trolley should be moved only by two authorized individuals.

1. TVSTNTR2M Trolley for 22"60"



List of components:

1. Base plate- 1 pcs.
2. Pipe - 1 pcs.
3. Mounting head - 1pcs.
4. Fixings and fixtures - 1 bag
5. Instruction manual - 1 pcs.
6. Wall bracket (supplied)- 1 pcs.