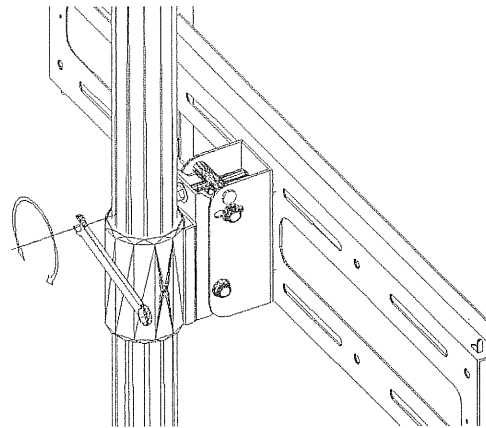


5. Screen tilt adjustment

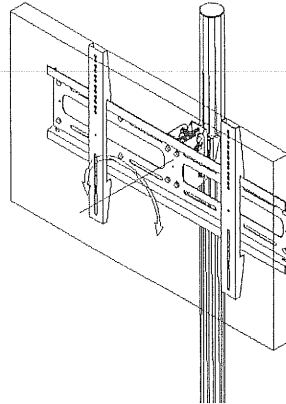
Before tilt adjustment please make sure that the screen is secured with two security screws (PLBRC32601/PLBRC37602 instruction manual).

TVSTN70 trolley has function of screen tilt adjustment and a function of side-to-side correction.

In order to change the tilting angle of your plasma / LCD screen use a key No.13 (not supplied) to turn the adjustment screw clockwise (the screens go to vertical position) or counterclockwise (the screen tilts down).



In order to perform side-to-side correction of your LCD/plasma screen please grab a screen and rotate it slightly in desired position.



6. Maintenance

Before maintenance of wall mount it is necessary to turn off and unplug plasma/LCD screen.

Wipe the screen up with dry cloth. If the wall mount is very dirty, it is necessary to remove the dirt first with neutral cleaner diluted with water, and then wipe the mount up with dry cloth. You can not use such cleaners like solvent, furniture wax as it may cause peeling off of the powdercoated metal parts..

Stan: 2011-01-11 10:08:00
Instrukcja montażu TVSTN70_v.3.0

TVSTN70

TVSTN70 plasma / LCD Trolley Adaptor
for PLBRC32601/PLBRC37602
for 22-60" screen
Instruction manual

SAFETY WARNING!

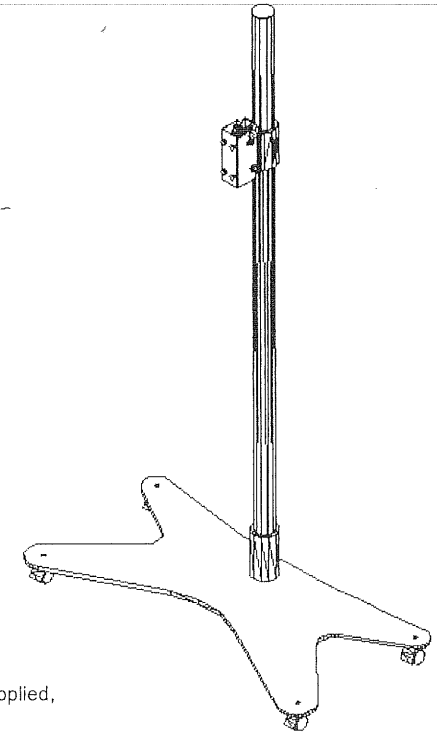
INSTRUCTIONS MUST BE FOLLOWED PRECISELY FOR SAFE AND STABLE INSTALLATION

1. Before installation read carefully this instruction manual and instruction manual of PLBRC32601/PLBRC37602 and your plasma/LCD screen for proper installation.
2. Installation of this unit should be carried out by qualified technicians.
3. Manufacturer is not liable for any damage or injury caused by mishandling or improper installation.
4. TVSTN70 Trolley assembled with PLBRC32601/PLBRC37602 bracket and plasma/LCD screen make up one unit.
5. It is forbidden to weigh down the set with other components, because it may cause a loss of stability and may cause damage or injury.
6. It is forbidden to move a trolley by somebody not authorized. In case the floor is not flat the trolley should be moved only by two authorized individuals.

TVSTN70 Trolley Adaptor for PLBRC32601/PLBRC37602

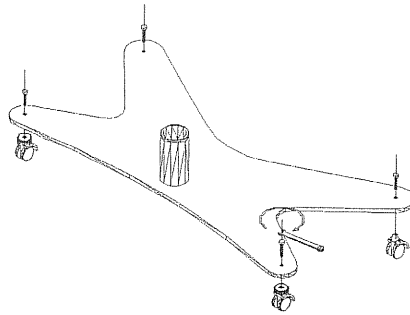
List of components:

1. Base plate – 1 pcs.
2. Pipe – 1 pcs.
3. Mounting head – 1 pcs.
4. Fixings and fixtures - 1 bag
5. Instruction manual – 1 pcs.
6. Wall bracket PLBRC32601/PLBRC37602 (not supplied, bought separately) – 1 pcs.



1. Assembling wheels to the base plate

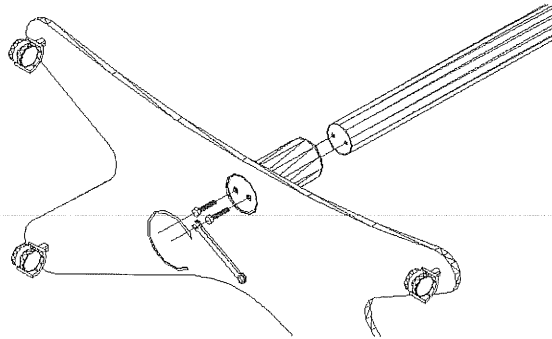
Assemble wheels to the base plate using 4 screws, washers, and caps (supplied) using key no 17 (not supplied). Tighten the screws with key using appropriate force (if any doubt about the force please consult the authorized personnel).



Attention! Mishandling or improper installation may cause damage or injury.

2. Assembling base plate with pipe

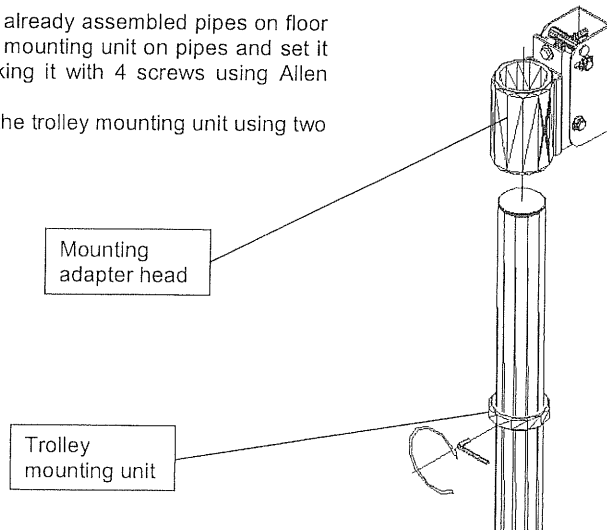
Put pipe in mounting holes on base plate and then tighten with two screws through the holes in bottom part of base plate. Tighten the screws with key using appropriate force (if any doubt about the force please consult the authorized personnel).



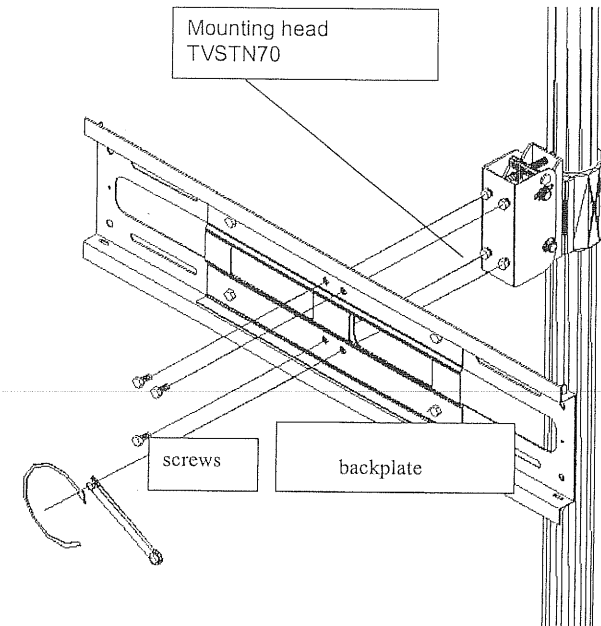
Attention! Mishandling or improper installation may cause damage or injury.

3. Assembling mounting head on pipe

Place a base plate with already assembled pipes on floor and then put the trolley mounting unit on pipes and set it on desired height blocking it with 4 screws using Allen key. Mount adapter head to the trolley mounting unit using two screws.



4. Assembling back plate with mounting head of TVSTN70



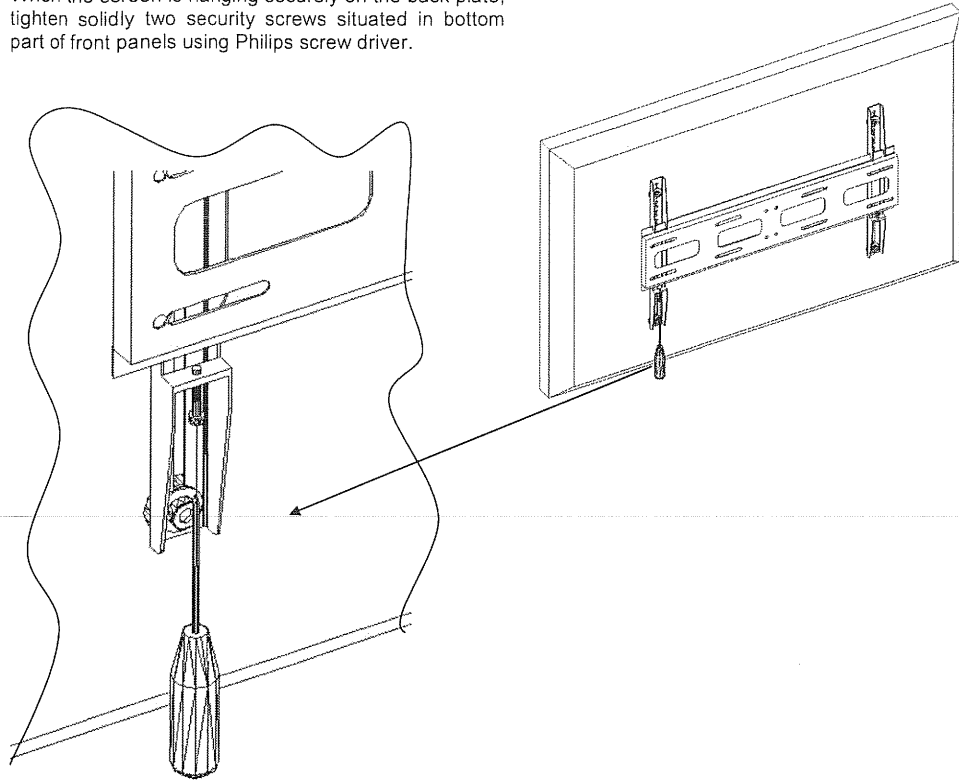
Attention! After screwing together everything please tighten all screws and nuts.

Further steps should be carried out according to PLBRC32601/PLBRC37602 instruction manuals.

Screw PLBRC32601/PLBRC37602 back plate with already mounted supporting plate (see point 3) together with TVSTN70 mounting head using 4 M8 screws.

4. Security screw

When the screen is hanging securely on the back plate, tighten solidly two security screws situated in bottom part of front panels using Philips screw driver.



5. Maintenance

Before maintenance of wall mount it is necessary to turn off and unplug plasma/LCD screen. Every 6 months run periodical check the condition of screw joints and in case there Wipe the screen up with dry cloth. If the wall mount is very dirty, it is necessary to remove the dirt first with neutral cleaner diluted with water, and than wipe the mount up with dry cloth. You can not use such cleaners like solvent, furniture wax as it may cause peeling off of the powdercoated metal parts.

Rev.date: 4/8/2011 1:25:00 PM
instruction_manual_PLBRC37602_v.3.0

PLBRC37602

UNIVERSAL FIXED WALL MOUNT PLBRC37602

FOR 37-60" PLASMA /LCD SCREENS

Installation manual

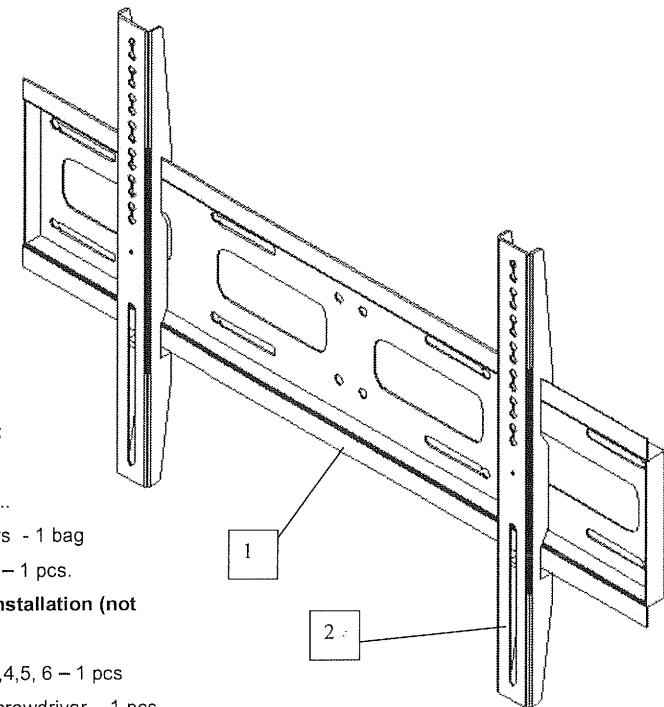
SAFETY WARNING!

Remarks regarding safety and installation

INSTRUCTIONS MUST BE ALWAYS FOLLOWED PRECISELY

1. Before installation read carefully this installation manual and instruction manual of your plasma/LCD screen for proper installation.
2. Installation of this unit should be carried out by at least two qualified technicians.
3. This unit is not adapted to direct installation on the ceiling surface. Mounting to the ceiling is only possible with adapter.
4. Manufacturer is not liable for any damage or injury caused by mishandling or improper installation.
5. Maximum capacity load: 80 kg
6. Mounting interface: min. 100x100mm, max 850x460mm

Universal Fixed Wall Mount PLBRC37602



List of components:

1. Back plate – 1 pcs
2. Front plate – 2 pcs..
3. Fixings and spacers - 1 bag
4. Instruction manual – 1 pcs.

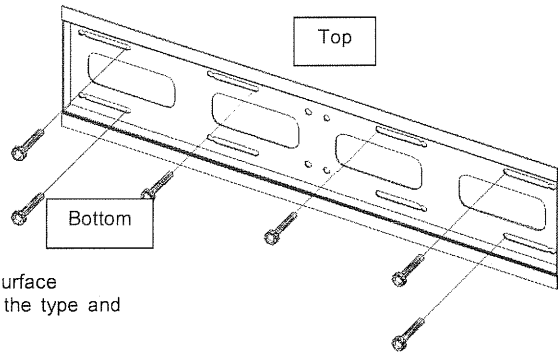
Tools required for installation (not included):

- Allen key nr 3,4,5, 6 – 1 pcs
- Philips PH2 screwdriver – 1 pcs

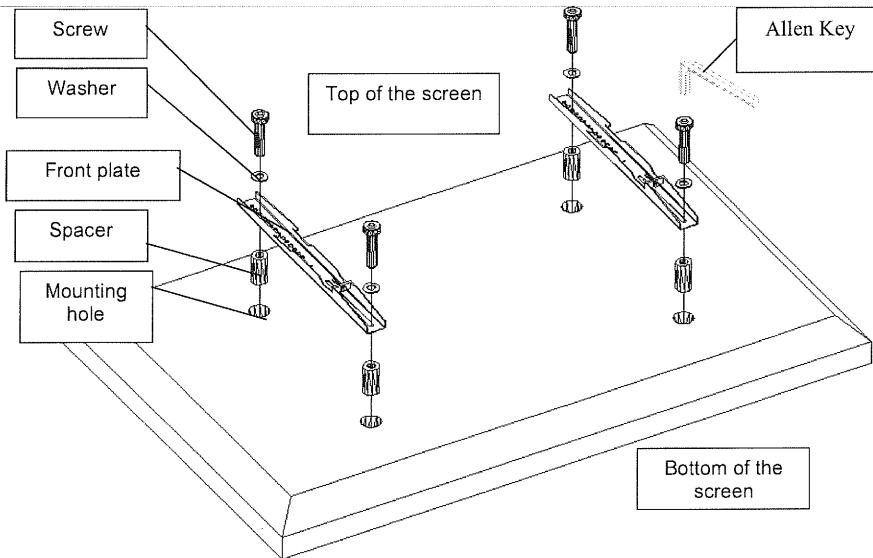
1. Mounting back plate on the wall surface

Mounting of the back plate to the wall should be carried out in desired position after prior checking of wall type and structure and according to building craft. If you have any doubt please consult a qualified builder or contractor. It is not allowed to mount a screen on the wall which structure is not durable enough to hold the specified capacity load.

Mount back plate horizontally to the wall surface using screws/bolts (not supplied) suitable to the type and structure of wall.



2. Mounting front plates to the back of plasma / LCD screen



Place plasma/LCD screen face down on soft cloth (to prevent damage) on a flat and stable surface.

Please compile all parts necessary for mounting:

- front plate – 2 pcs
- screw – 4 pcs.
- washer – 4 pcs.
- spacer – min. 4 pcs.

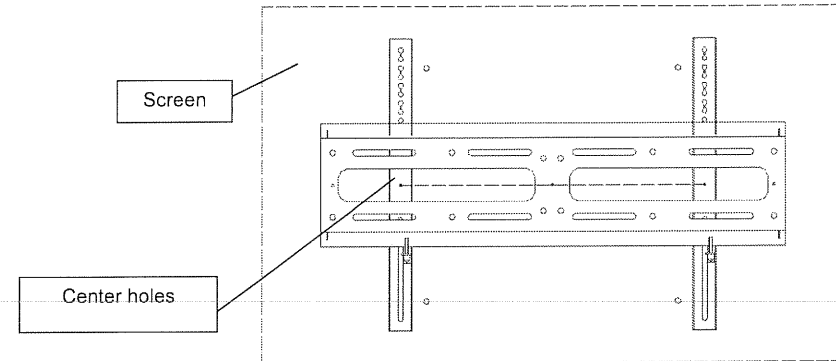
In the enclosed bag there are different screws, washers and spacers fitting different types and makes of plasma/LCD screens. Only ONE set of screws, washers and spacers will be necessary for mounting front plates to the back of plasma/LCD screen.

Compile set of screws, washers and spacers in the following manner:

- select suitable height of spacers, in order to keep a couple millimeters distance between the back of the plasma/LCD screen and front panels
- select suitable screws (length and thread), so that after assembling spacers, front panels and washers together the depth mounting pole back of the plasma/LCD screen is adequate to the length of the screw thread. Screw can not be too long, because while screwing in it may cause damage to your screen.

Position front panels as centrally on the back of the screen

Tighten previously selected screws using Allen key.



3. Mounting screen on the back plate

Please be careful while engaging plasma with the wall!!

Raise the screen in vertical position (at least two people) with front plates already assembled to the back of the screen and hang it on the back plate mounted on the wall surface, so that hooks hang on the edge of the back plate (please see the drawing).

Make sure that the hooks are hooked on the edge of the back plate.

