

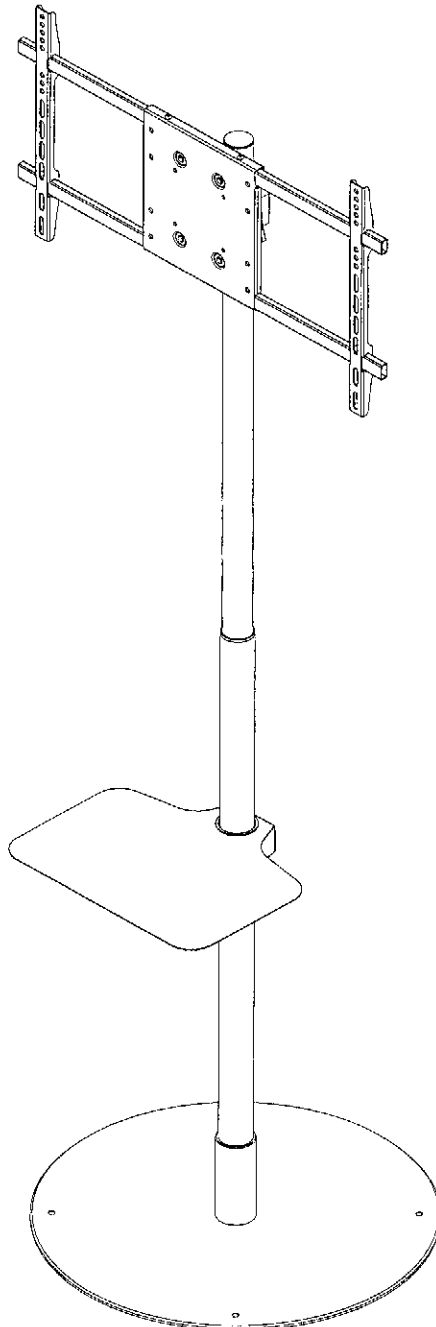
# INSTALLATION GUIDE

## TV Stand Mount

### TVSDP4060B

Max Load Capacity: 100 lbs (45 kg)

VESA 100x100/400x400/600x400 compatible



- Be sure to read this entire manual thoroughly and you fully understand all the instructions and warning before attempting to begin your installation.
- This product should only be installed by someone who has a basic knowledge of buiding construction,installations and fully understands these instructions.
- Always have someone assist you to lift and position your equipment.
- Tighten screws and bolts firmly, but do not over tighten. Over tightening can damage the items and greatly reduce their ability to hold. Please refer to suggested torque values where applicable in these instructions.

## Tools Needed for Assembly

- level
- phillips screwdriver

## Table of Contents

- |  |  |
|--|--|
| ① Install the first pipe (II) onto base floor (DD) | ⑤ Mount display                        |
| ② Mount the AV tray (CC) onto the first pipe (II)  | ⑥ Adjust angle                         |
| ③ Mount the second pipe (HH)                       | ⑦ Using cable management               |
| ④ Mount the head assembly (AA) onto second pipe    | ⑧ Fix the stand to the floor(Optional) |

## A. Installation hardware kits

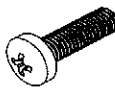
### 1. For



Philips head screw  
M5\*16mm (x4)



Philips head screw  
M6\*16mm (x4)




Philips head screw  
M8\*16mm (x4)



Philips head screw  
M8\*35mm (x4)



Metal washer  
diameter 6 (x4)



Spacer (x4)

### 2. For installing the universal adapter kit



Philips head screw  
M6\*12mm (x4)



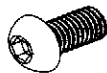
Philips head screw  
M6\*16mm (x4)



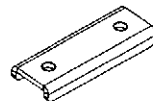
Metal washer  
diameter 8 (x4)



Hexagon socket  
head screw  
M8\*30 (x2)



Socket pan head screw  
M8\*12mm (x4)



Slider plate(x4)



5mm Allen Key (x1)



Metal washer  
diameter 6 (x4)

### 3. For installing the stand cart




Socket pan head screw  
M6\*12mm (x6)



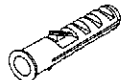
Metal washer  
diameter 6 (x4)



3mm Allen Key (x1)



4mm Allen Key (x1)

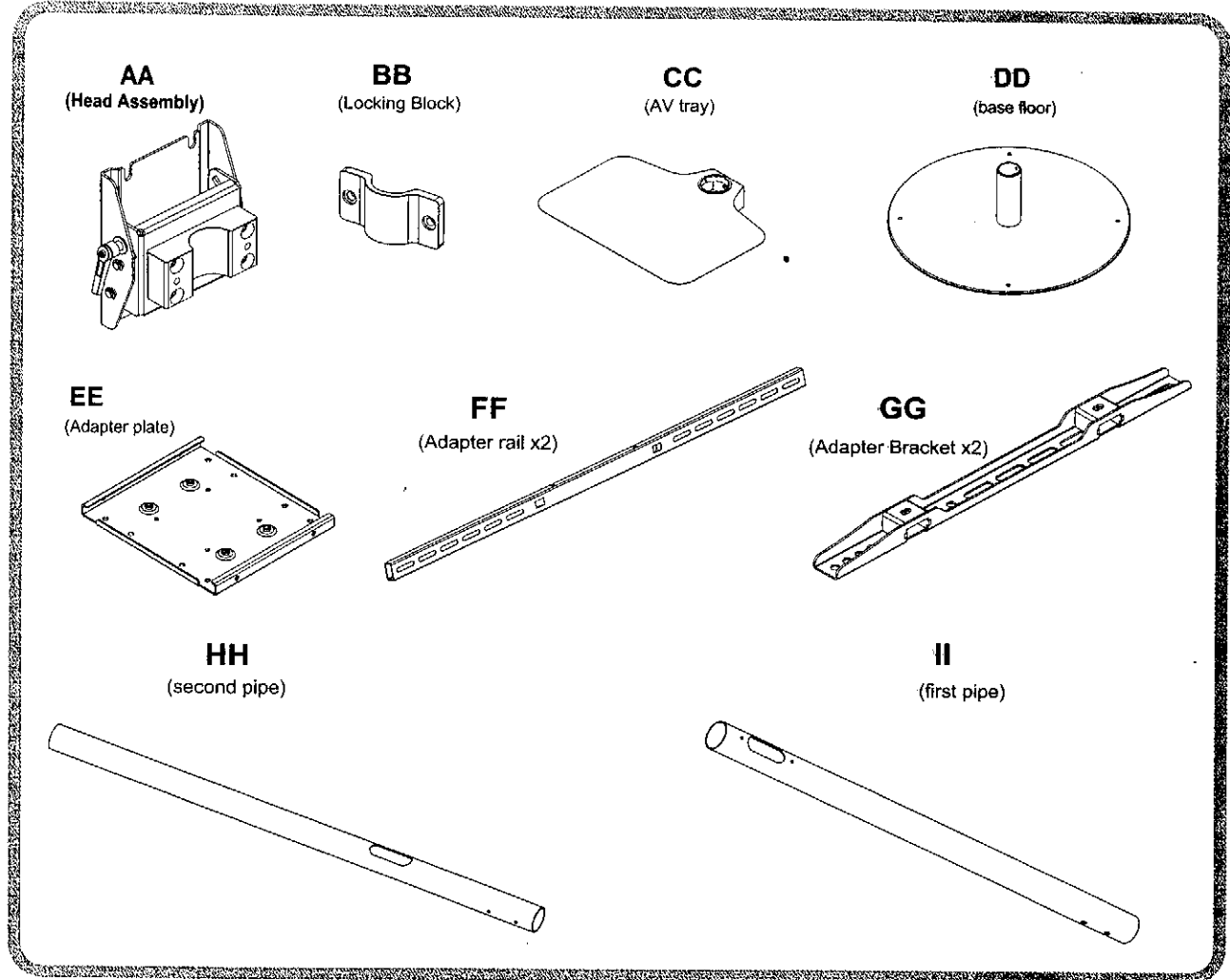


Anchor(x4)



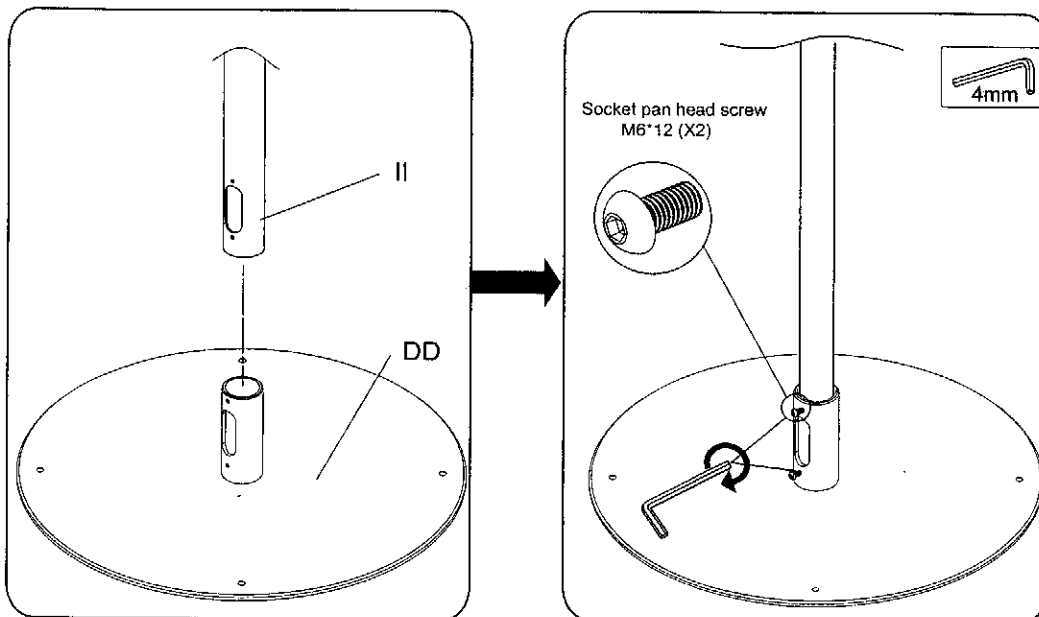
Lag Bolt  
8X70mm(x4)

## B. Component checklist



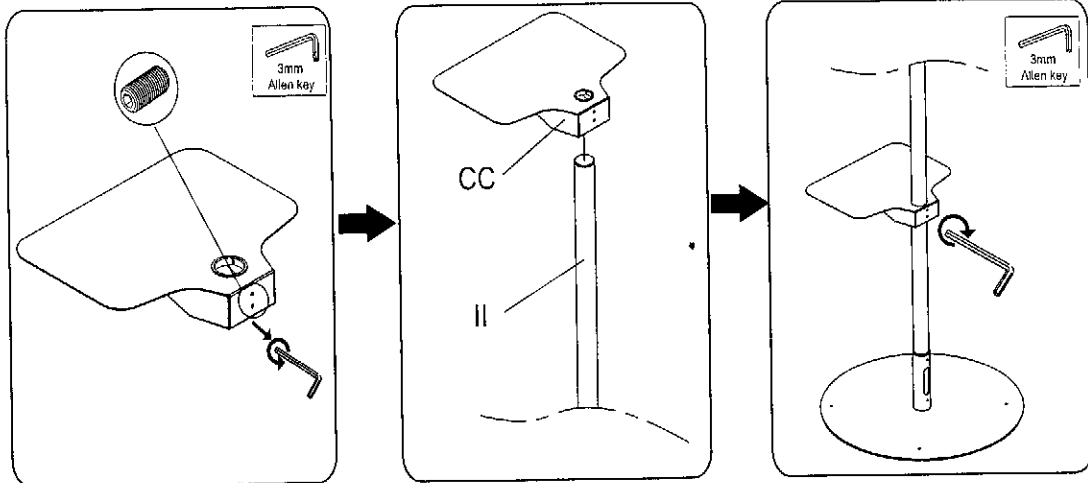
**1**

**Install the first pipe (II) onto base floor (DD)**



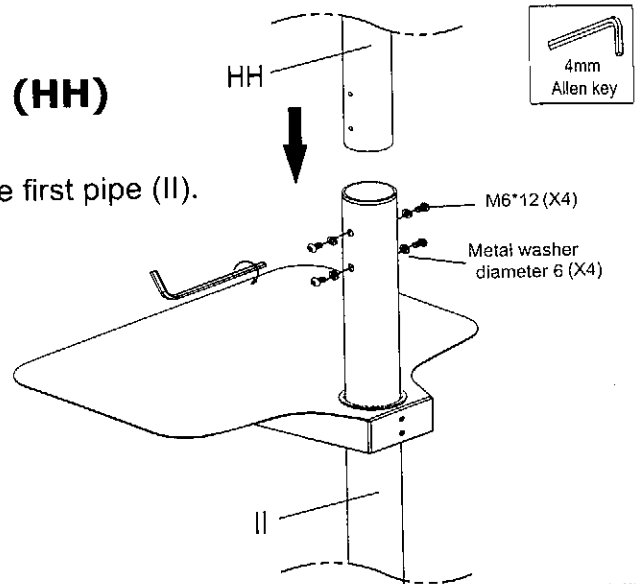


## Mount the AV tray (CC) onto the first Pipe (II)



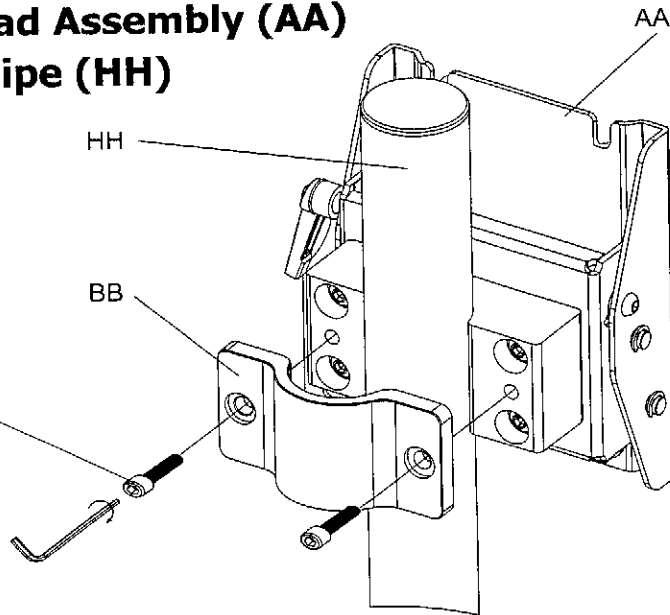
## Mount the Second Pipe (HH)

Mount the second pipe (HH) onto the first pipe (II).



## Mount the Head Assembly (AA) onto second pipe (HH)

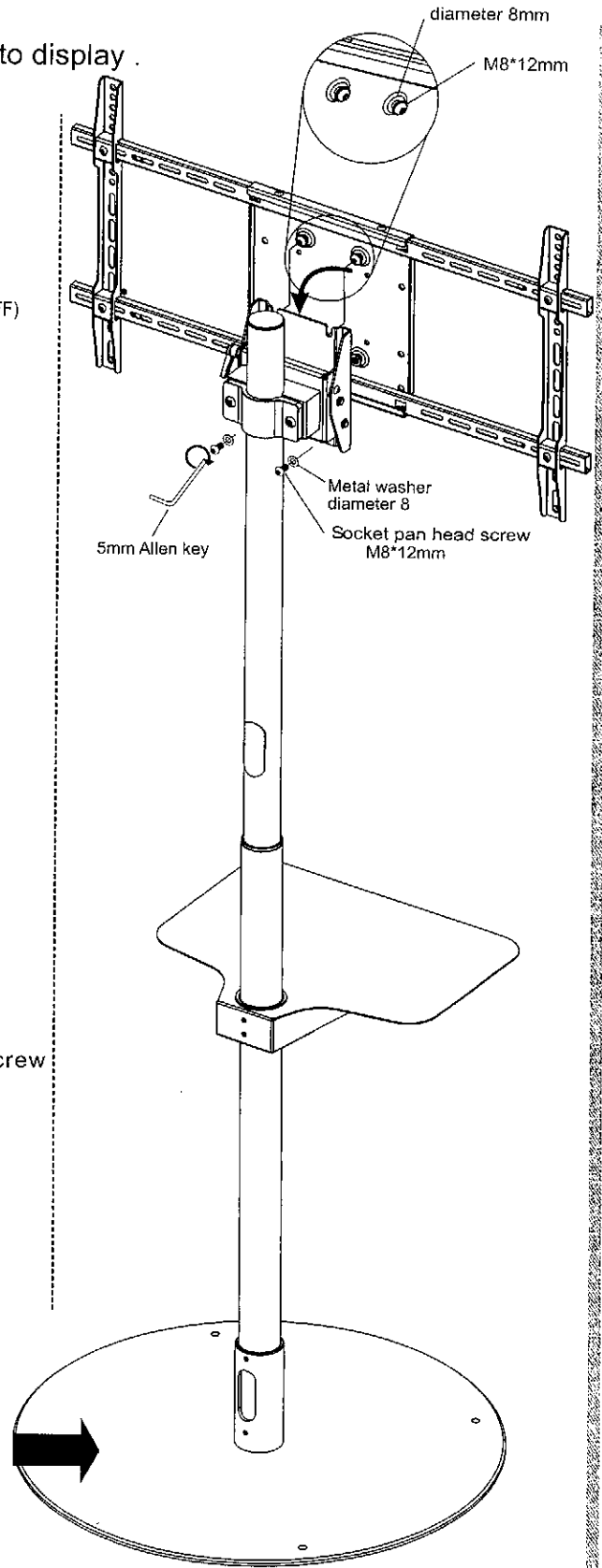
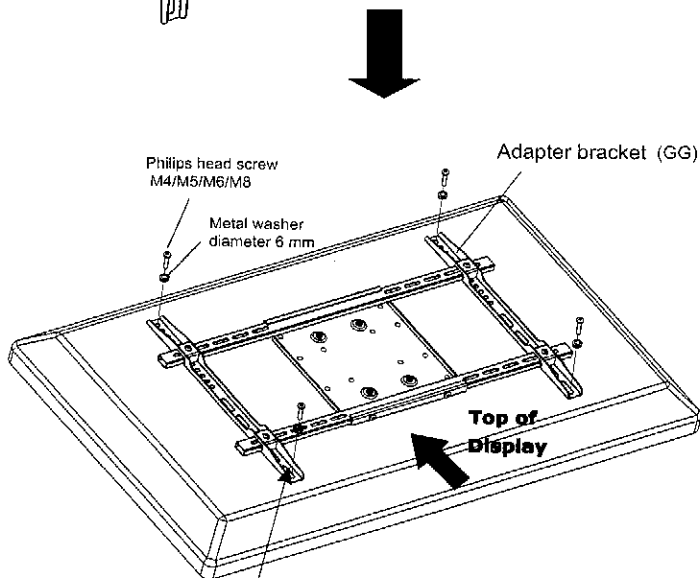
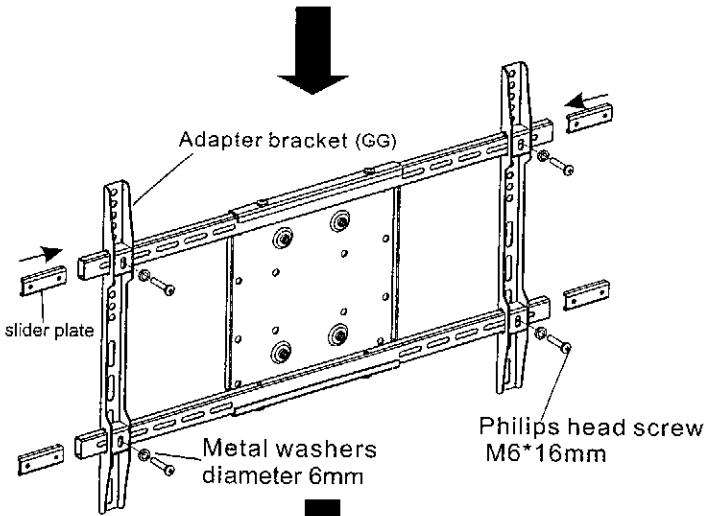
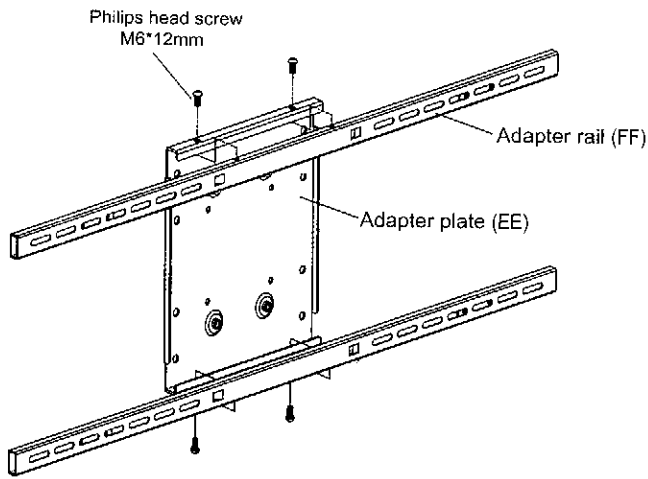
Hexagon socket head screw M8\*30 (x2)



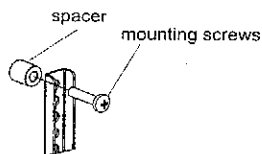
# 5

## Mount display

Mount the universal adapter kit onto display .



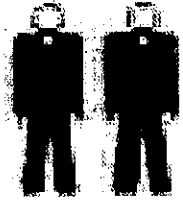
\*For screen with a hole pattern in a pocket, spacer go between Assembly Adapter Plate and screen. **Spacer**



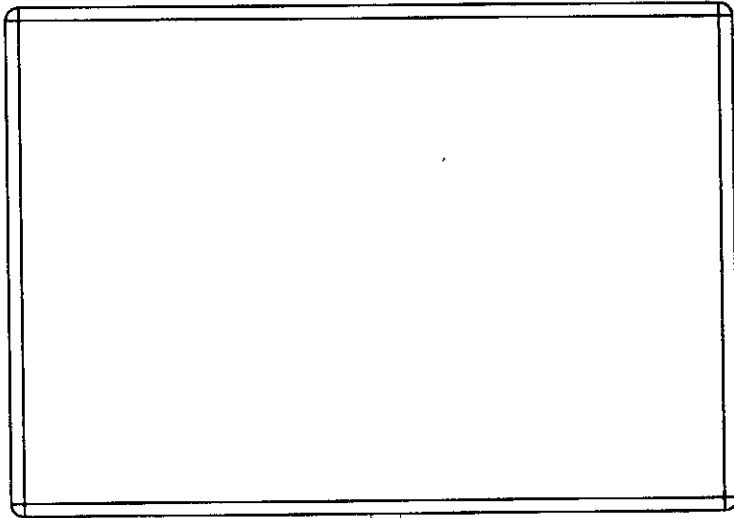
6

## Adjust angle

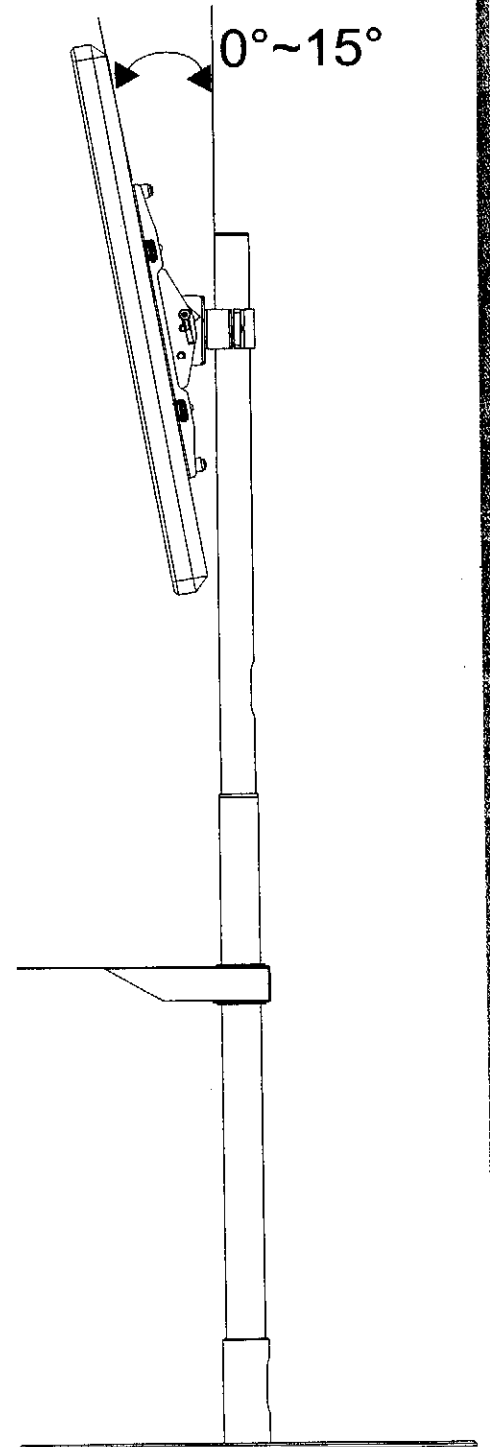
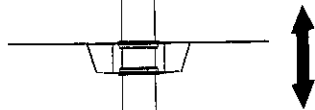
Second person will be required to assist !



Height adjustable

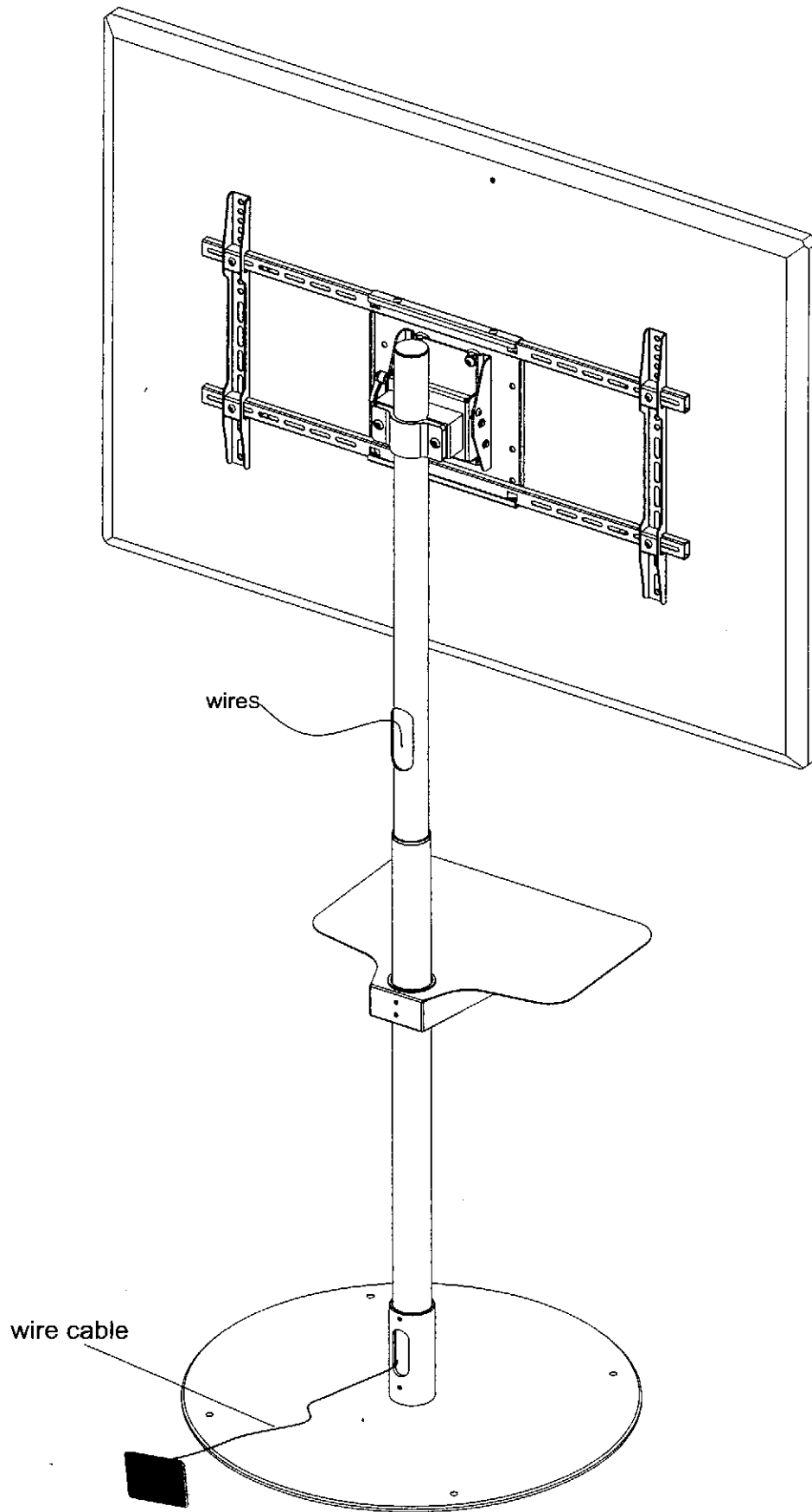


Height adjustable



7

# Using cable management





# Fix the stand to the floor(Optional)

