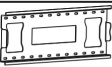



















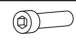


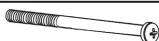


PARTS			
1	Hanging Panel	1pc	
2	Mounting Bracket	2pcs	
3	Safety Bar	1pc	
4	Left Upright	1pc	
5	Right Upright	1pc	
6	Bottom Extrusion	2pcs	
7	Media Shelf	2pcs	
8	Steel Plate	2pcs	
9	Rectangular Steel Tube	2pcs	
10	Caster	2pcs	
11	Caster with Brake	2pcs	
12	T Shaped Plate	4pcs	

HARDWARE			
A	M8x60mm Hex Head Screw	4pcs	
B	End Cap 1	8pcs	
C	End Cap 2	6pcs	
D	φ8 Spacer	4pcs	
E	M8x40mm Hex Head Screw	4pcs	
F	Washer	4pcs	
G	M6 Nut	4pcs	
H	φ6 Washer	8pcs	
I	M6x20mm Hex Screw	8pcs	
J	M5 Allen Key	1pc	
K	M5x8mm Flat Head Screw	8pcs	
L	M6x90mm Pan Head Screw	4pcs	

Product Specification

Product weight: 24kg

Monitor Size Range: 32"-80"

Maximum load: 50kg/110lbs

VESA size: 200x200mm, 400x400mm, 600x400mm, 800x400mm, 800x600mm

⚠ IMPORTANT: Please take time to read and understand all of the steps needed to finish the assembly before installing the unit. D2G is not responsible for any personal injury or product damage due to mishandling, incorrect mounting, incorrect assembly or incorrect use of this product.

Check to see that all hardware are present before assembling. If any hardware required is missing, please contact D2G customer service at 1-800-572-2194.

⚠ CAUTION: This LCD/Plasma TV stand is intended for use with television that does not exceed the maximum weight capacity designated. Using this mount with products heavier than the maximum weight indicated may result in instability causing serious injury.

Keep these installation instructions in an easily assessible location for future reference.

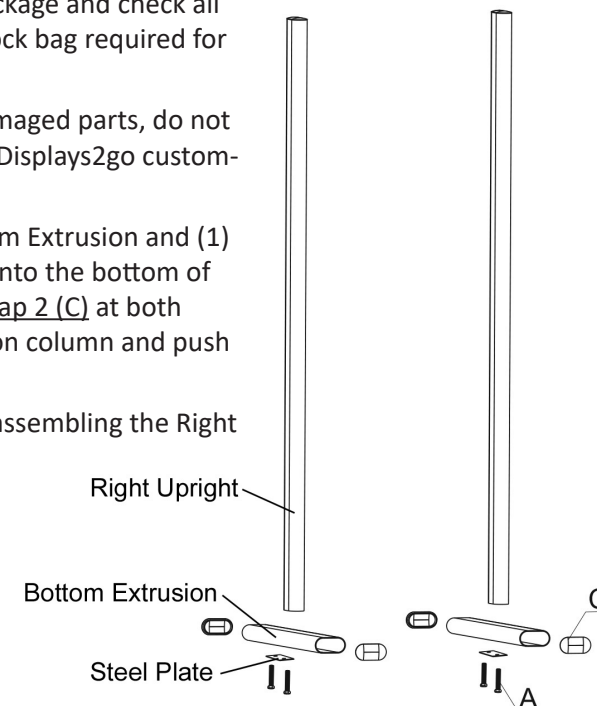
2 people recommended. A phillips screw driver and a wrench is needed.

1. Open all boxes in the package and check all parts and hardware in zip lock bag required for installation.

If there are any missing/damaged parts, do not install the unit and contact Displays2go customer service for support.

Connect Left Upright, Bottom Extrusion and (1) Steel Plate by screwing (A) into the bottom of the Upright. Place (2) End Cap 2 (C) at both ends of the Bottom Extrusion column and push it into the extrusion.

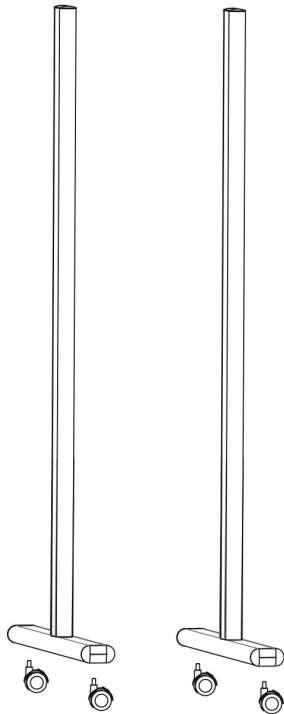
Repeat the above to finish assembling the Right Upright.



TV STAND WITH SHELF AND WHEELS - TVJT321G1

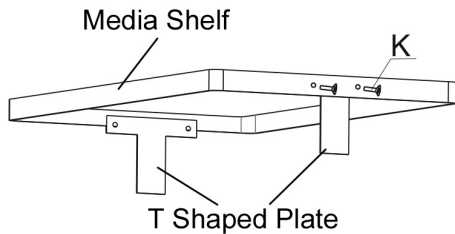
2. Screw (1) Caster and (1) Caster with Brake into the Bottom Extrusion on Left Upright. Tighten the hex nut with wrench.

Do the same to assemble the other (2) casters with the Right Upright.

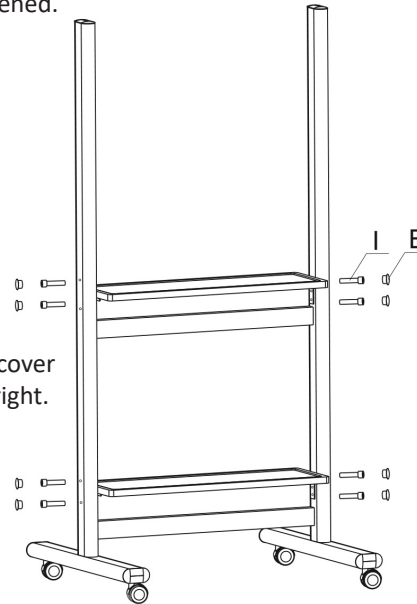
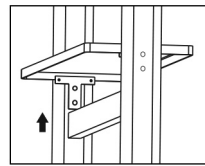


3. Align threaded holes in T Plates with holes in the Media Shelf as shown below. Screw in (2) Flat Head Screws (K) from each side with a phillips screw driver.

Assemble the other shelf with (2) T Plates the same way.

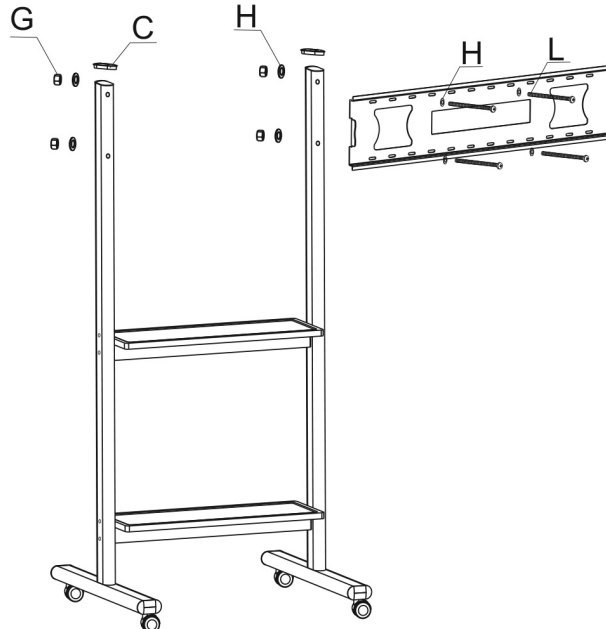


4. Place (1) assembled shelf in the middle of Left and Right Uprights and align corresponding holes on them. Fit (1) Rectangular Tube between (2) T Plates, then screw (2) Hex Screws (I) From each side. Assemble the other Shelf and Rectangular Tube the same way. Be sure all Hex Screws are tightened.



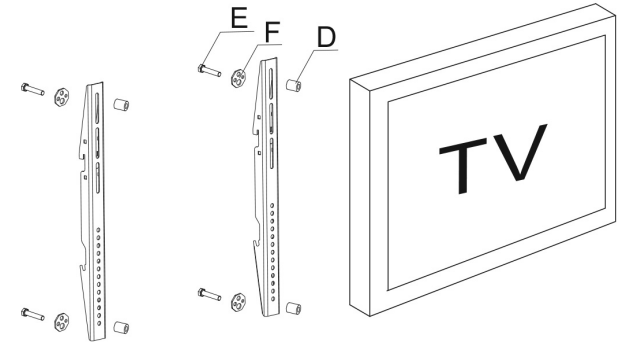
Insert all End Cap 1 (B) to cover the screw holes in the Upright.

5. Mount the Hanging Panel onto the assembled Uprights by using the hardware provided. See image below. Insert (2) End Cap 2 (C) into the top of uprights.

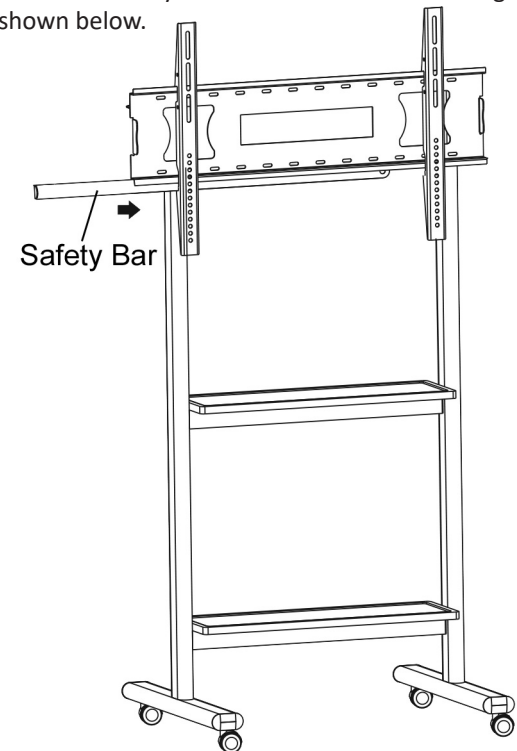


6. Mount (2) mounting brackets to the back of the TV by using the hardware provided (see below). Choose the best fit hole in the washer (F).

If the display has a curved back, place the spacer (D) between the mounting bracket and the TV.



7. Adjust the height of the Hanging Panel as needed. Hang the TV with brackets attached onto the Hanging Panel, and insert the Safety Bar at the bottom of the Hanging Panel as shown below.



If you are uncertain about the installation or have any questions on the TV stand, please contact D2G customer service at 1-800-572-2194.