



HRMS No. 305294	Customer No. 01	CAD No. C68079	Salesperson House Account	Customer Service	Customer Abbott Action			Project No. 17-1562
Designer BLABIANCA*	Created 4/18/2018	Die No.	Material .028 SBS	Finish	Joint	Foam Color	Style * D/C	HRMS (8)
Project Identification 20"x60" SBS TOTEM			Vendor	Machine	Die Type	Side to Strike	Notes 2 per	HRMS (9)
Part Name 60 inch totem			Inside Dimensions 0 x 0 x 0	Digital Sheet Size 25" x 62"		Knife-to-Knife 22 ⁵⁹ / ₆₄ " x 60"	Label Trim Size 25" x 62"	

Revision Information

Author BLABIANCA	Revision 0
Date 4/18/2018	

QTY

0

Project Status

Active
Due Date

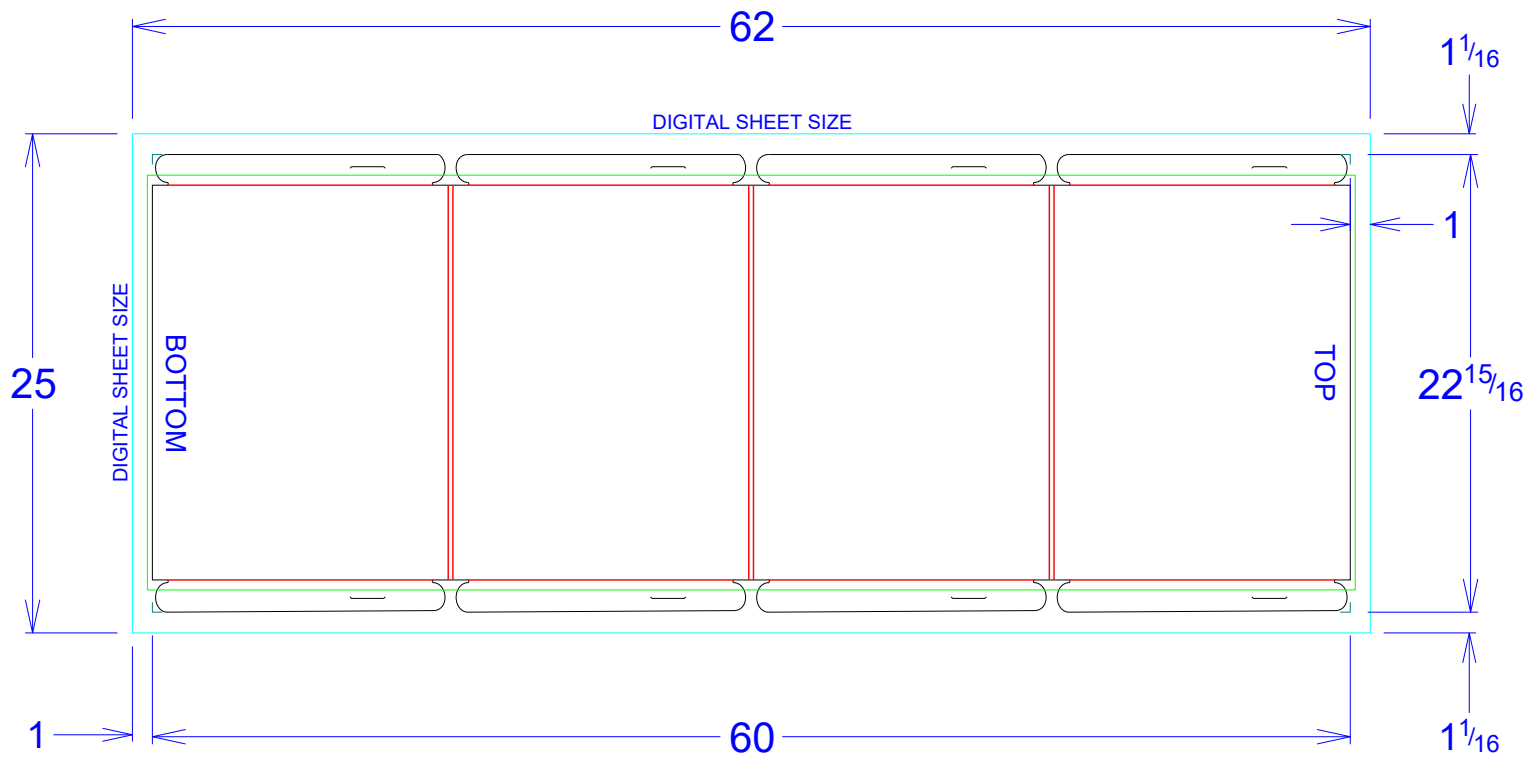
View

outside

Line Type / Rule Legend

Cut		210.08
Crease		225.4
Sq Ft		9.551'
Total Inches of Rule		435.48

WHEN TABLE CUT
Cut & score from print side
2 pt crease wheel



LEAD EDGE - PRINT & BOBST