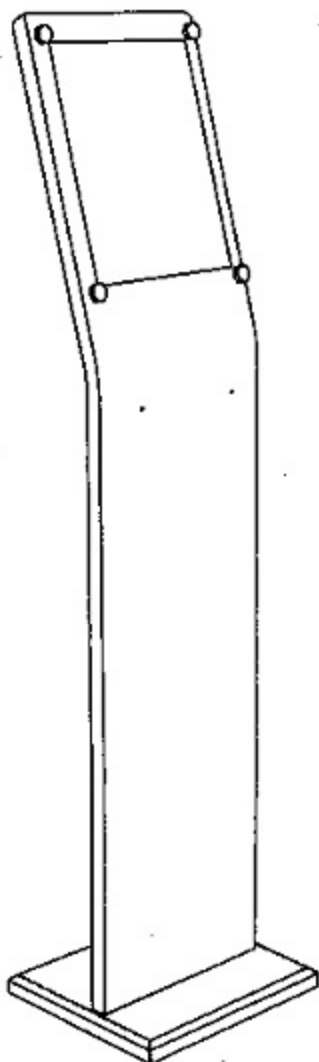


TLHAC Series Assembly Instructions

Thank you for purchasing this TLH series display. To insure the long life of this product and customer satisfaction, please inspect the product after opening for damage or missing parts.

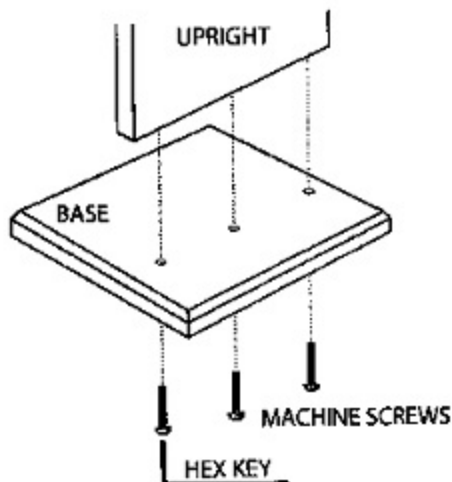
Material List:

1. Base
2. Upright
3. Hardware kit:
 - [3] - ¼"-20 machine screws
 - [1] - hex key



Assembly Instructions:

1. Put the machine screws through the Base and into the Upright and tighten with the hex key provided.



2. If you have a pocket, attach it using the two phillips head screws provided.

