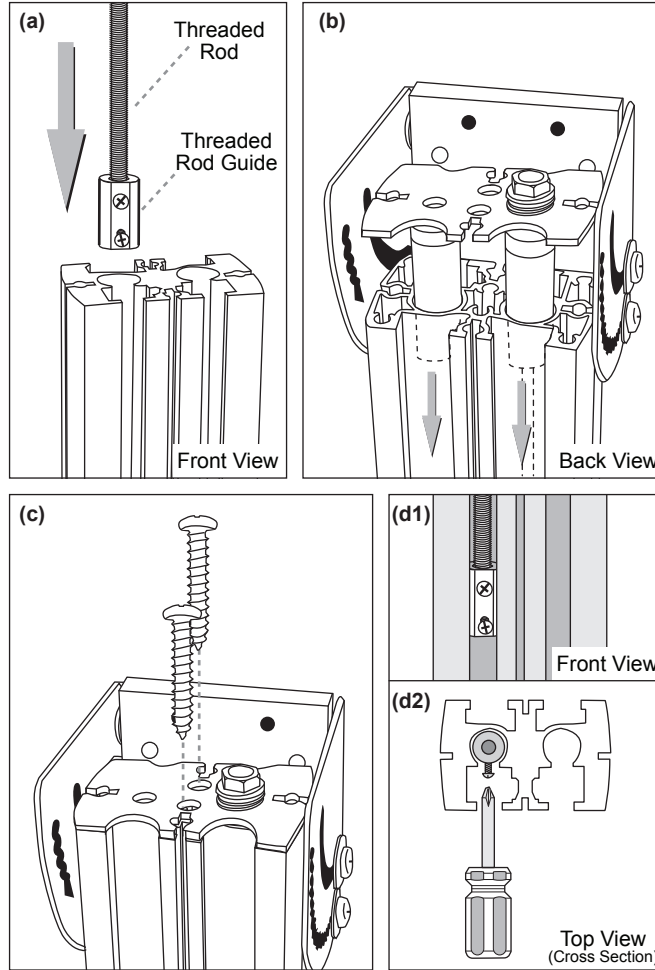


TILTMNT Bracket Installation Instructions

Tilt Mount Bracket Installation

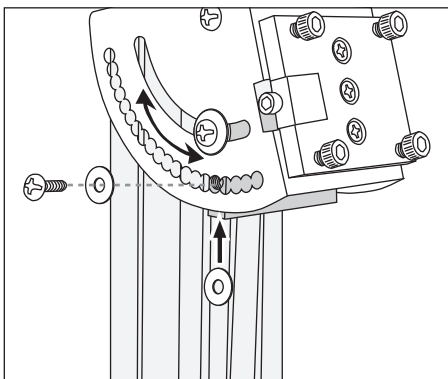
- While looking at the front of the unit, slide the long threaded rod of the Tilt Mount Bracket (A) down the left channel of the pole. Making sure the threaded rod guide is oriented with the screw heads facing the front of the unit.
- Align the head of the Tilt Mount Bracket (A) so the two cylinders slide into the pole as pictured.
- Fasten the plate of the Tilt Mount Bracket (A) to top of the pole using the included M14 Phillips Head Screws as pictured.
- Tighten the bottom screw of threaded rod guide securing the rod in place.
- Continue with monitor installation using your VESA mounting plate. (packed separately)



**Please note: the included tools are used when mounting the VESA monitor bracket - shipped separately.

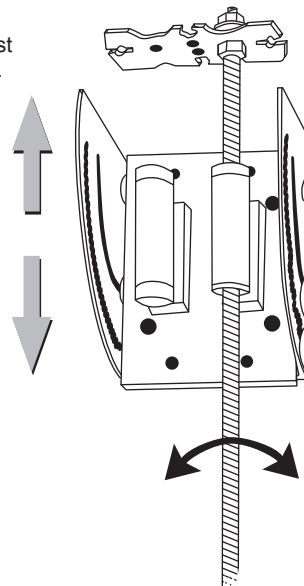
Tilt Mount Bracket Angle Adjustment

- From the serrated slot (bottom slot), completely remove the screw and washers on each side of the Tilt Mount Bracket.
- From the smooth upper slot on each side of the Tilt Mount Bracket loosen the screws so the head can tilt freely.
- Position the Tilt Mount Bracket at the desired angle.
- Replace the screws and washers then tighten, locking the tilt mount bracket at your desired angle.

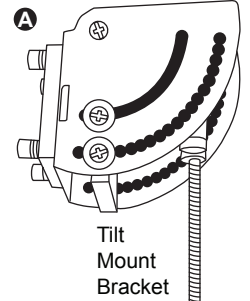


Tilt Mount Bracket Height Adjustment

- To adjust the height of the Tilt Mount Bracket, the Tilt Mount Bracket must be removed from the pole.
- To raise or lower the height of the Tilt Mount Bracket rotate the threaded rod. Turn the threaded rod counter-clockwise to raise the height of the Tilt Mount Bracket and rotate it clockwise to lower it.
- Once desired height is reached, install Tilt Mount Bracket as shown above.

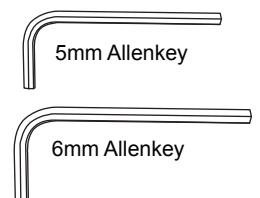


Bracket Parts



Tilt Mount Bracket

Included Tools



Hardware



M14 Phillips Head Screw