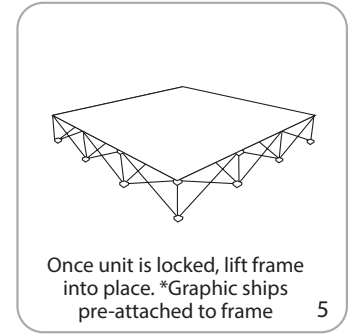
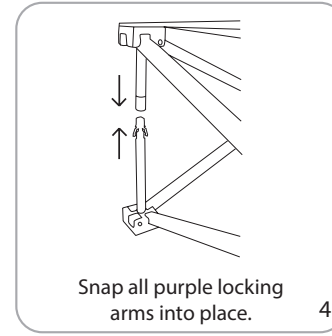
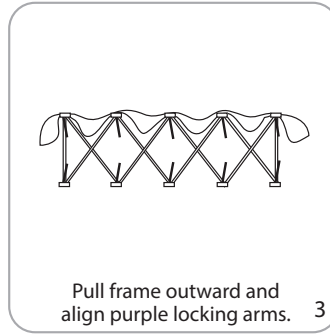
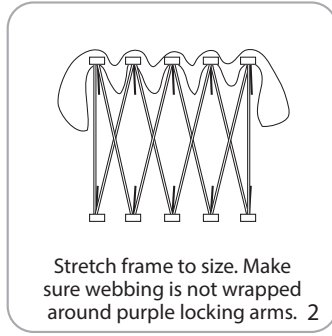


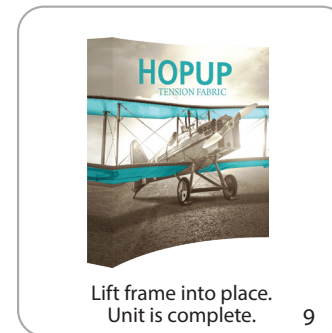
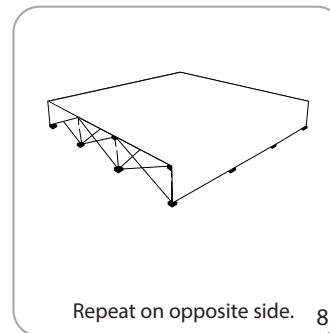
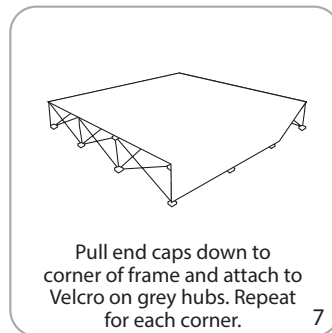
Straight Hopup Assembly

DISPLAYS2GO

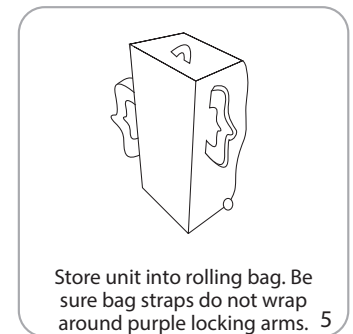
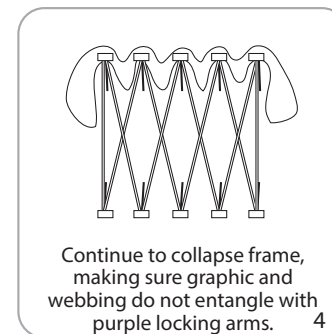
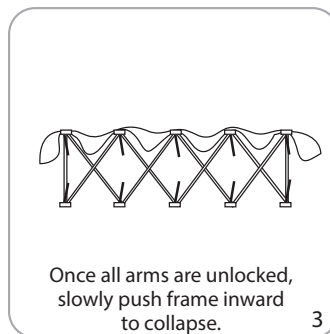
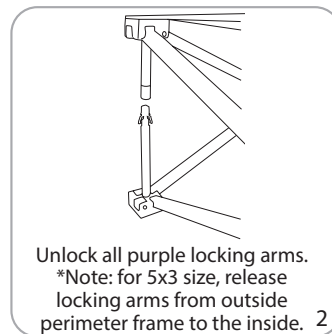
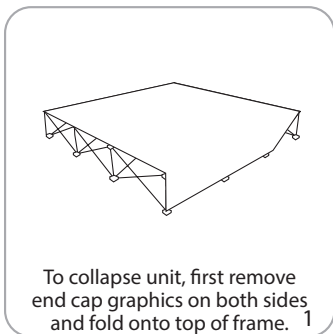
TEHU6EC SET-UP: GRAPHIC COMES ATTACHED



TO ATTACH END CAPS



TO COLLAPSE



to ensure quality, please note:



If the webbing is wrapped around the purple locking arm, the arm can snap off when opening the unit.



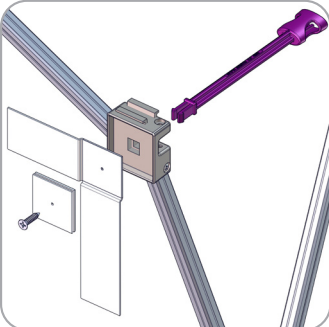
When setting up, ensure that the arms are aligned. If not, the arms will snap when pressure is applied.



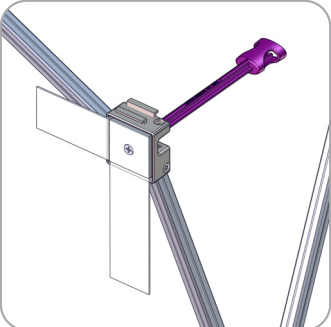
When packing unit in the bag, ensure that the strap is not partially wrapped around an arm. If it is, the arm will snap when pulled out of the bag.



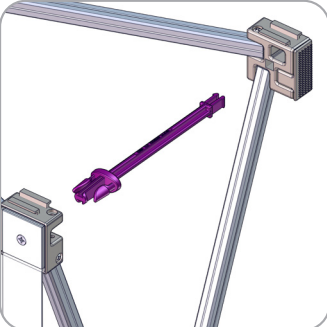
Do not use the purple locking arm to lift unit. ALWAYS lift by the frame.



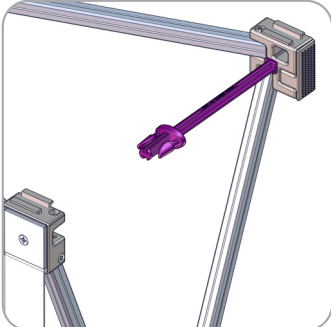
To dettach the female arm, remove the screw, steel plate and velcro webbing. Pull the arm off the hub.



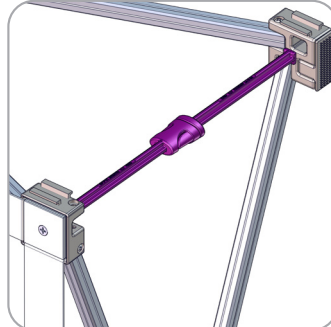
Attach the female arm by popping it into the hub. Fasten the screw through the steel plate hole and the velcro webbing tapping into the female arm.



To detach the male arm, pull the arm off the hub.



Simply pop in the male arm into the hub.



Both arms should align to snap lock together.