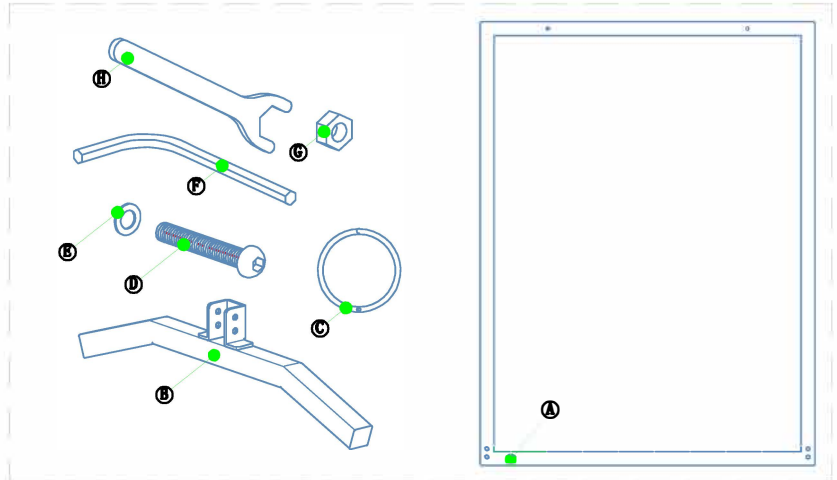


Outdoor Swinging Sign Instructions

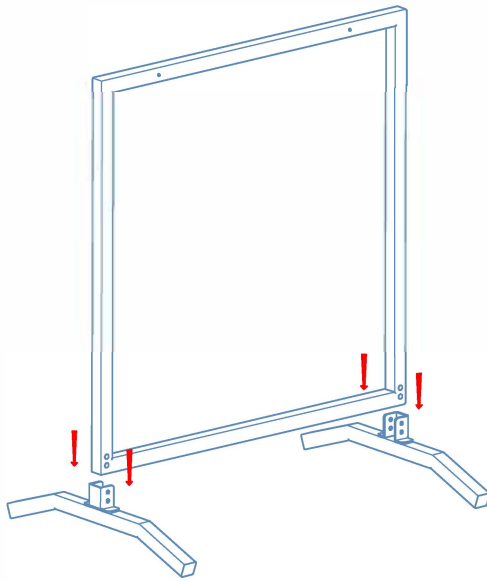
Parts List

NO.	Description	Qty
A	Metal Frame	1
B	Base(left&right)	2
C	Ring	2
D	M5 Screw	4
E	M5 washer	8
F	Hex wrench	1
G	M5 nut	4
H	Spanner	1



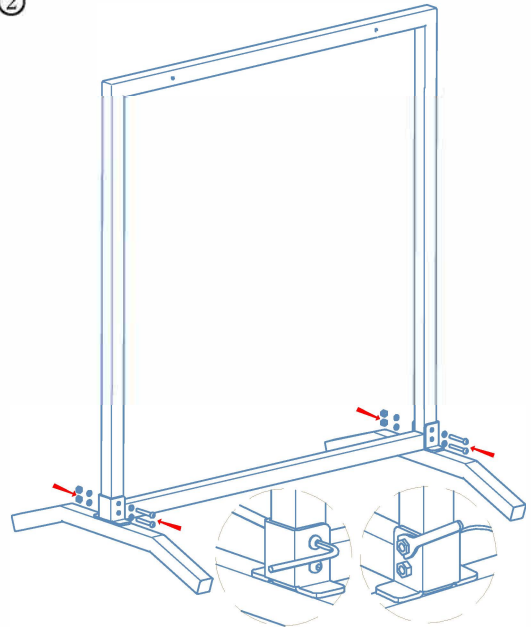
Assembly:

①



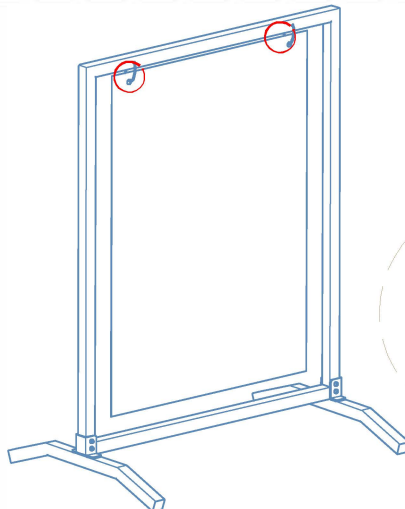
Insert the metal frame into the base brackets accordingly

②

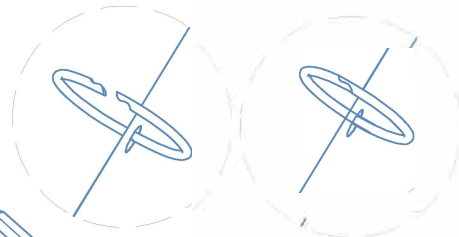


Align holes on the metal frame and the base, then insert screws through holes and tighten with nuts by using provided tools.

③



Tips: To open the ring, push the ring aside at the opening and pull it apart.



Open the rings and pass through the holes on the poster, then pass the open rings through the holes on the frame. Clip each ring to close then the sign is ready.