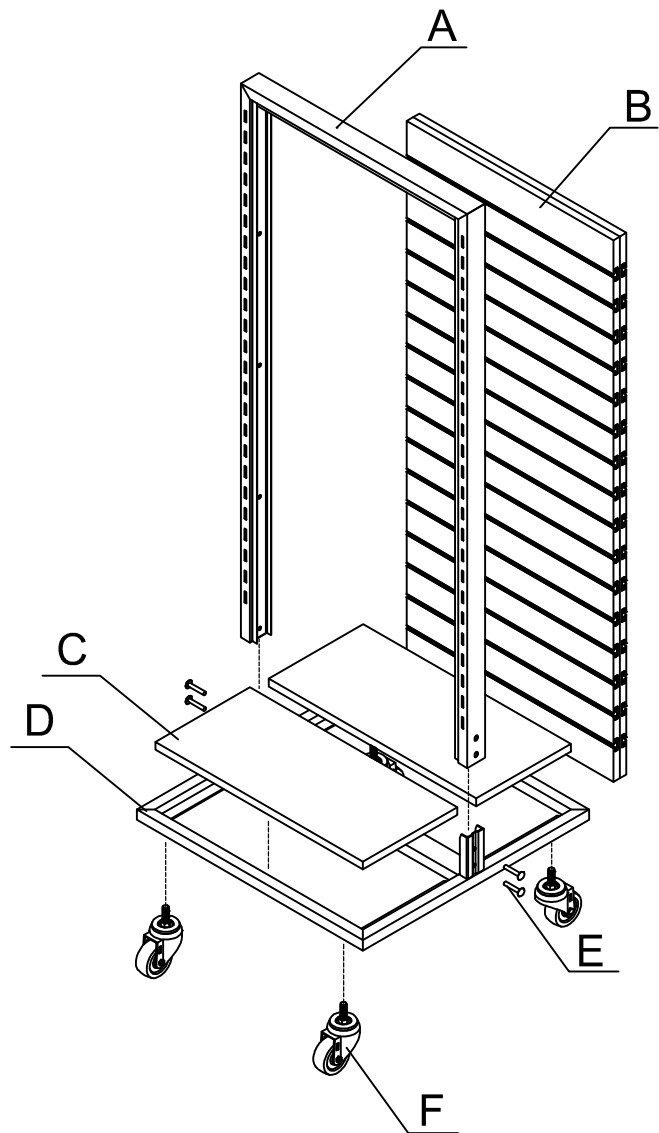
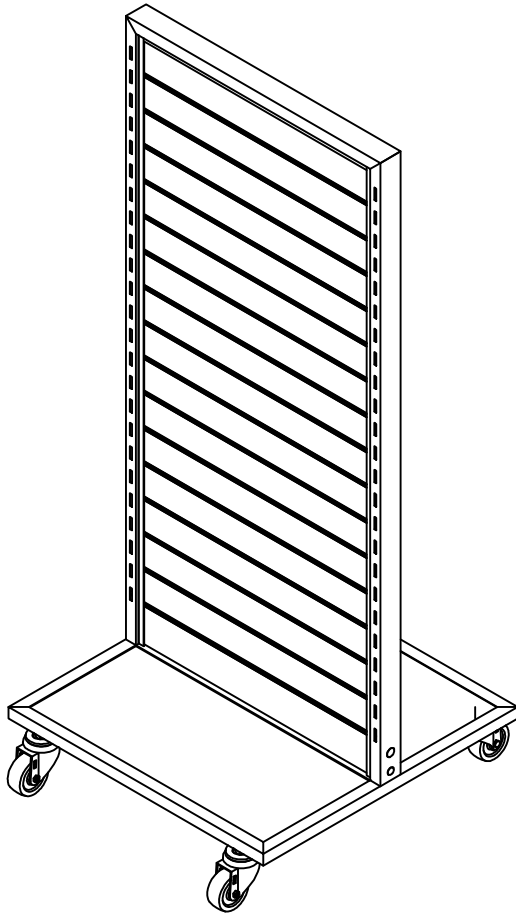


AK-SM1
ASSEMBLY INSTRUCTIONS



PARTS LIST

PART	DESCRIPTION	QTY
A	FRAME	1
B	MDF	2
C	MDF	2
D	BASE FRAME	1
E	BOLT	4
F	CASTERS	4