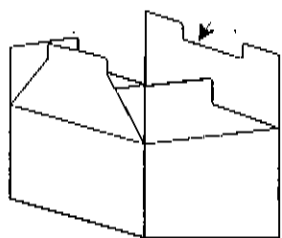
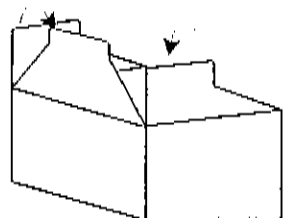


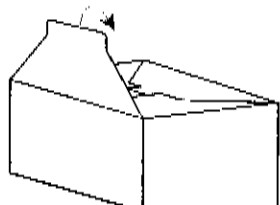
# Assembly Instruction



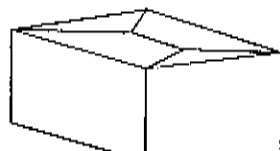
1



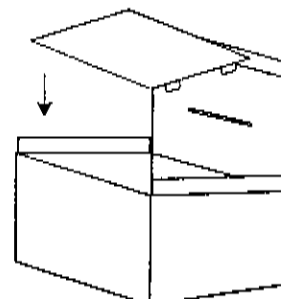
2



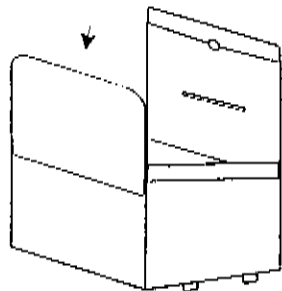
3



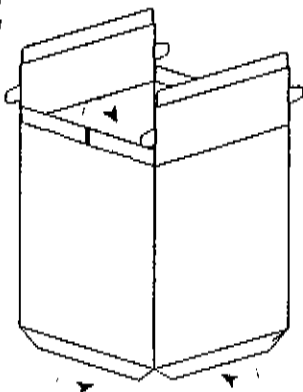
4



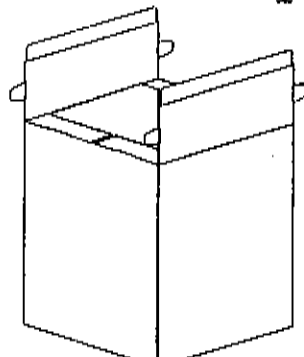
5



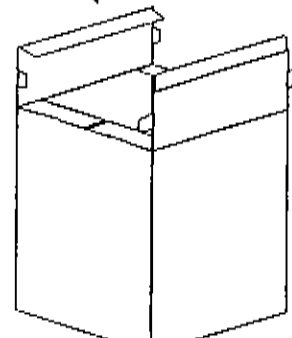
6



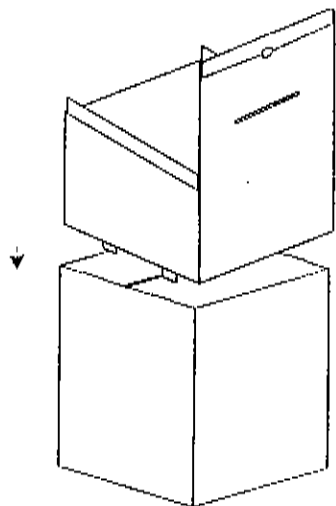
7



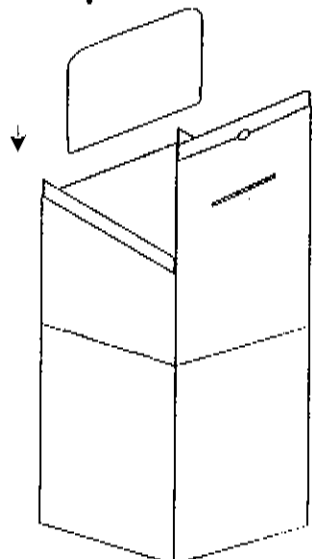
8



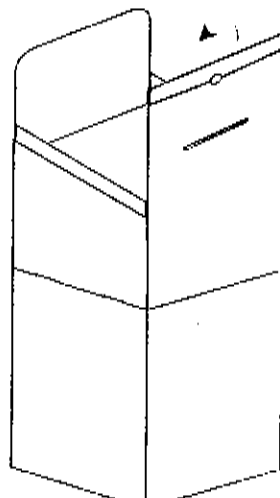
9



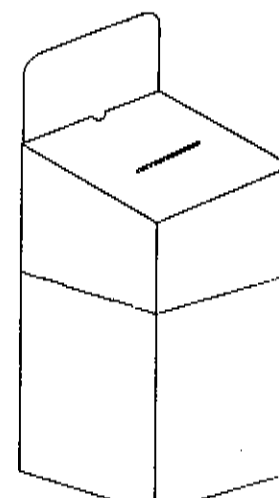
10



11



12



13