

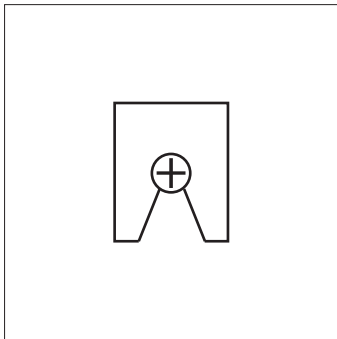
IMPORTANT

Before installation:

- > Locate all hardware - if using wall anchors, a 1/4" hole must be drilled first.
- > Peel film from "SNAP-DIVIDERS" before installing.

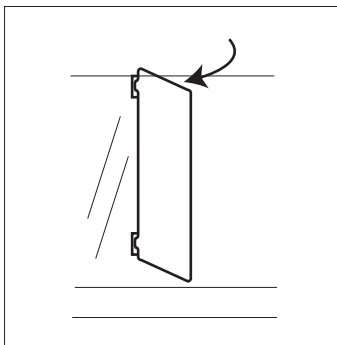
STEP 1. POSITION POCKET ASSEMBLY ON WALL AND MARK MOUNTING HOLE LOCATIONS .
MAKE SURE THE POCKET IS LEVEL WHEN MARKING.

STEP 2. INSTALL FOUR SCREWS USING THE SPACERS PROVIDED. USE ANCHORS IF REQUIRED.



STEP 3. PEEL OFF PROTECTIVE FILM ON EACH DIVIDER. WITH THE LARGE TAB ON TOP, SET TABS IN SLOTS ON BACK OF POCKETS, AND TWIST DIVIDER INTO PLACE.

NOTE: ASSEMBLE ALL DIVIDERS BEFORE HANGING THE ACRYLIC RACK.



STEP 4. SLIP THE POCKET ASSEMBLY OVER THE PRESET SCREWS.

