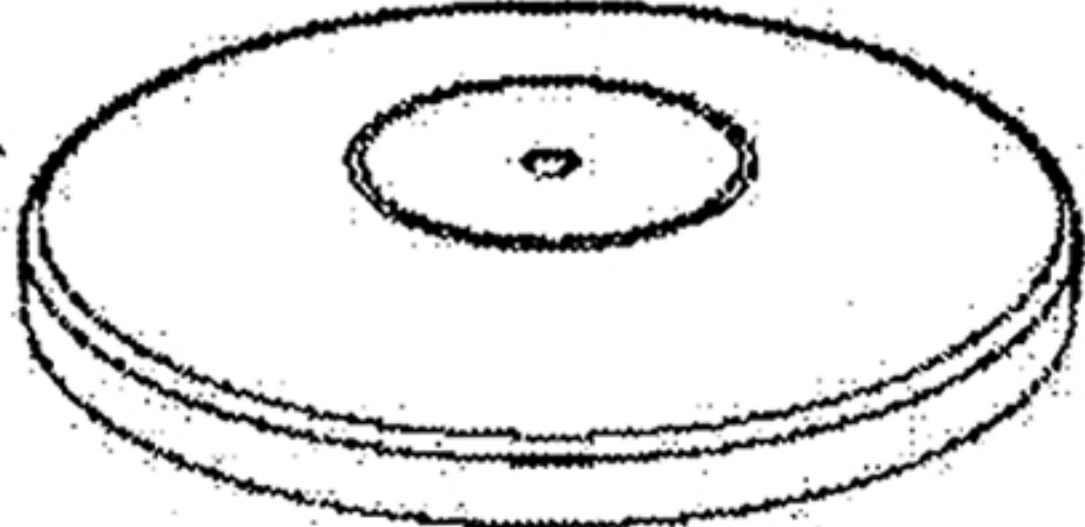
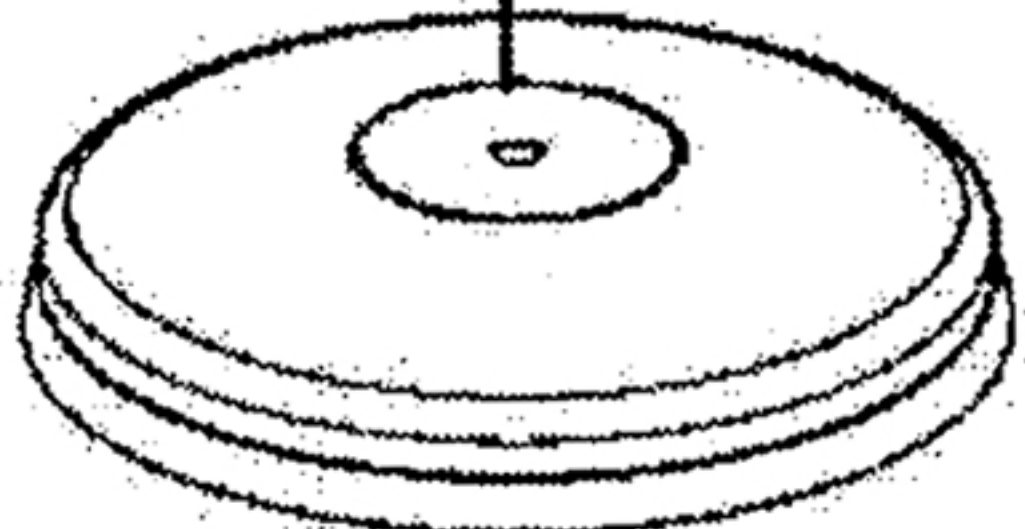


Assembly instructions


1


nut → 

Base cover → 


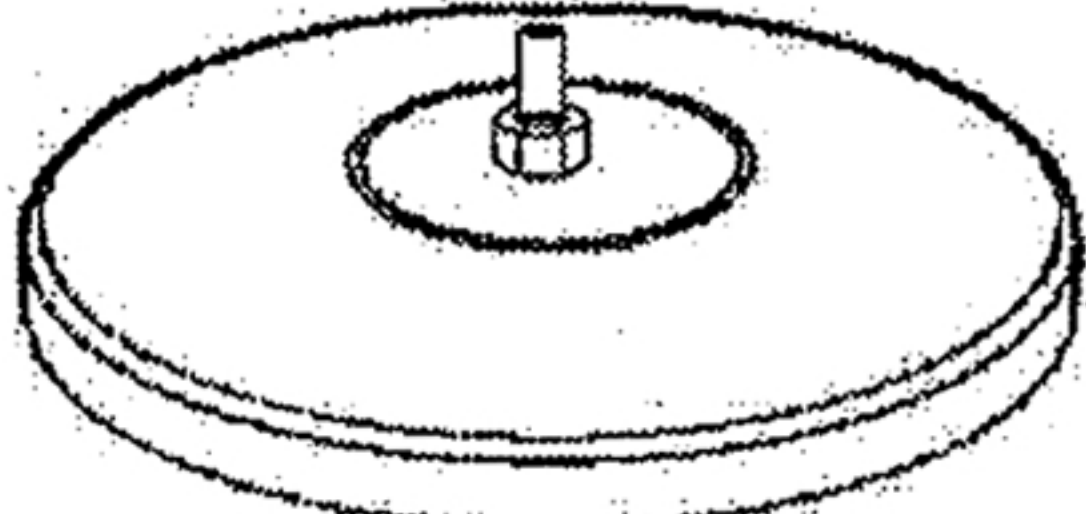
Base weight → 

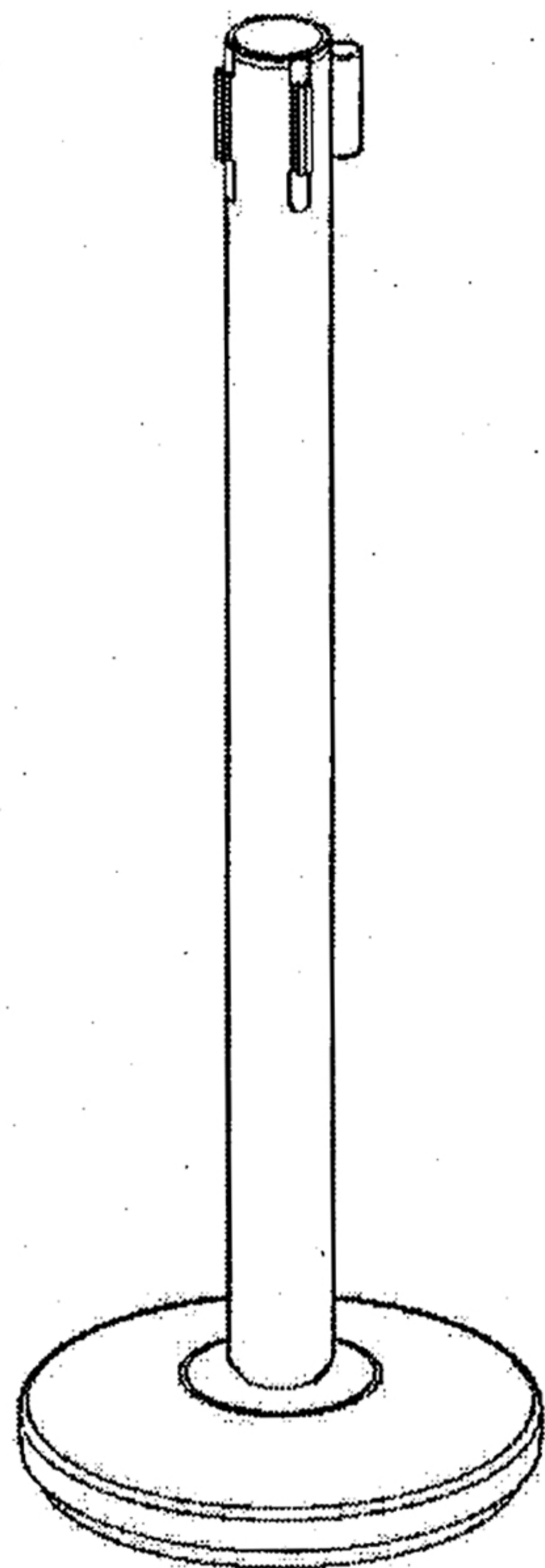
Washer → 

Spring washer → 

Bolt → 

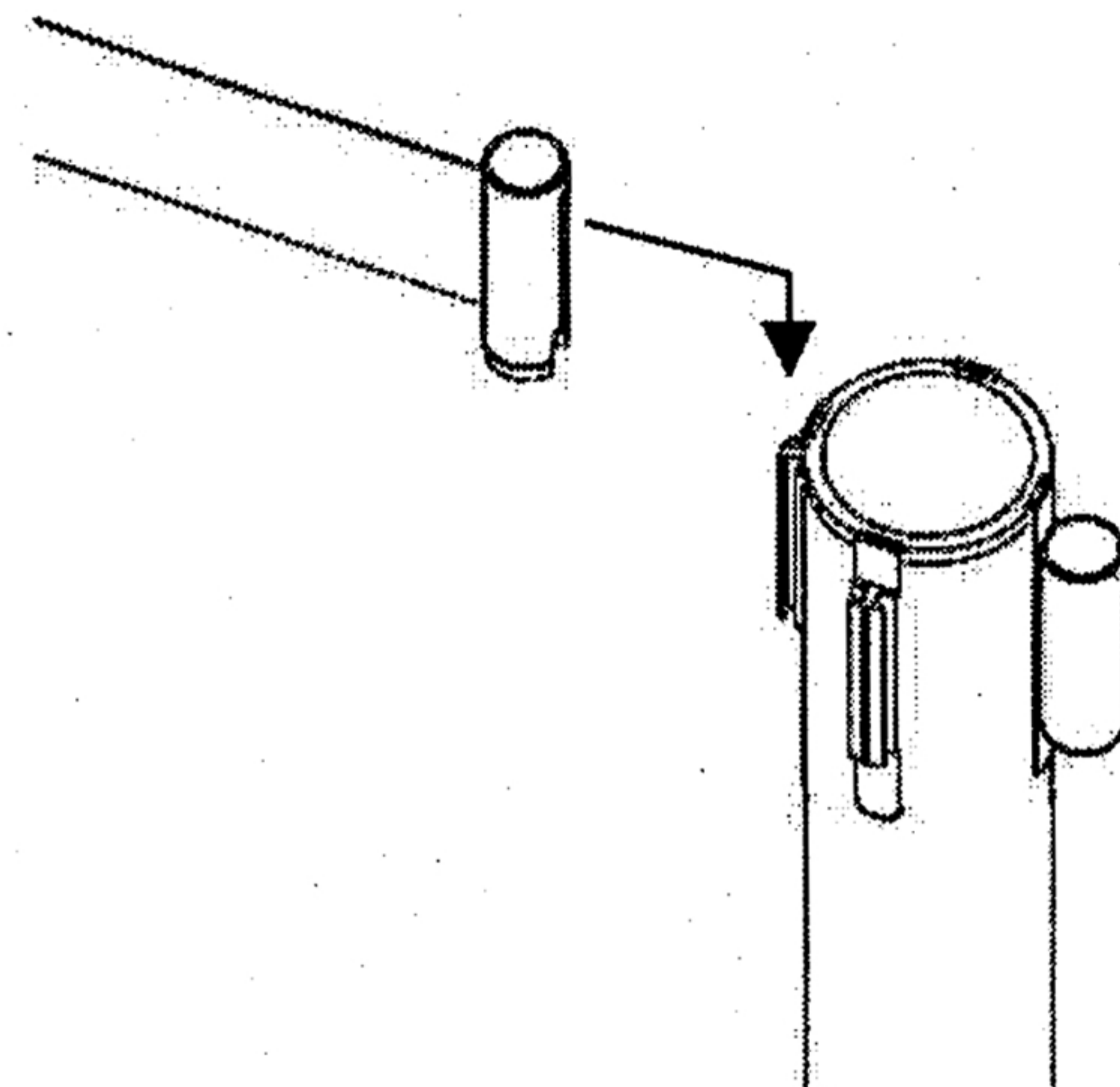
2

Post → 
hand screw into → 



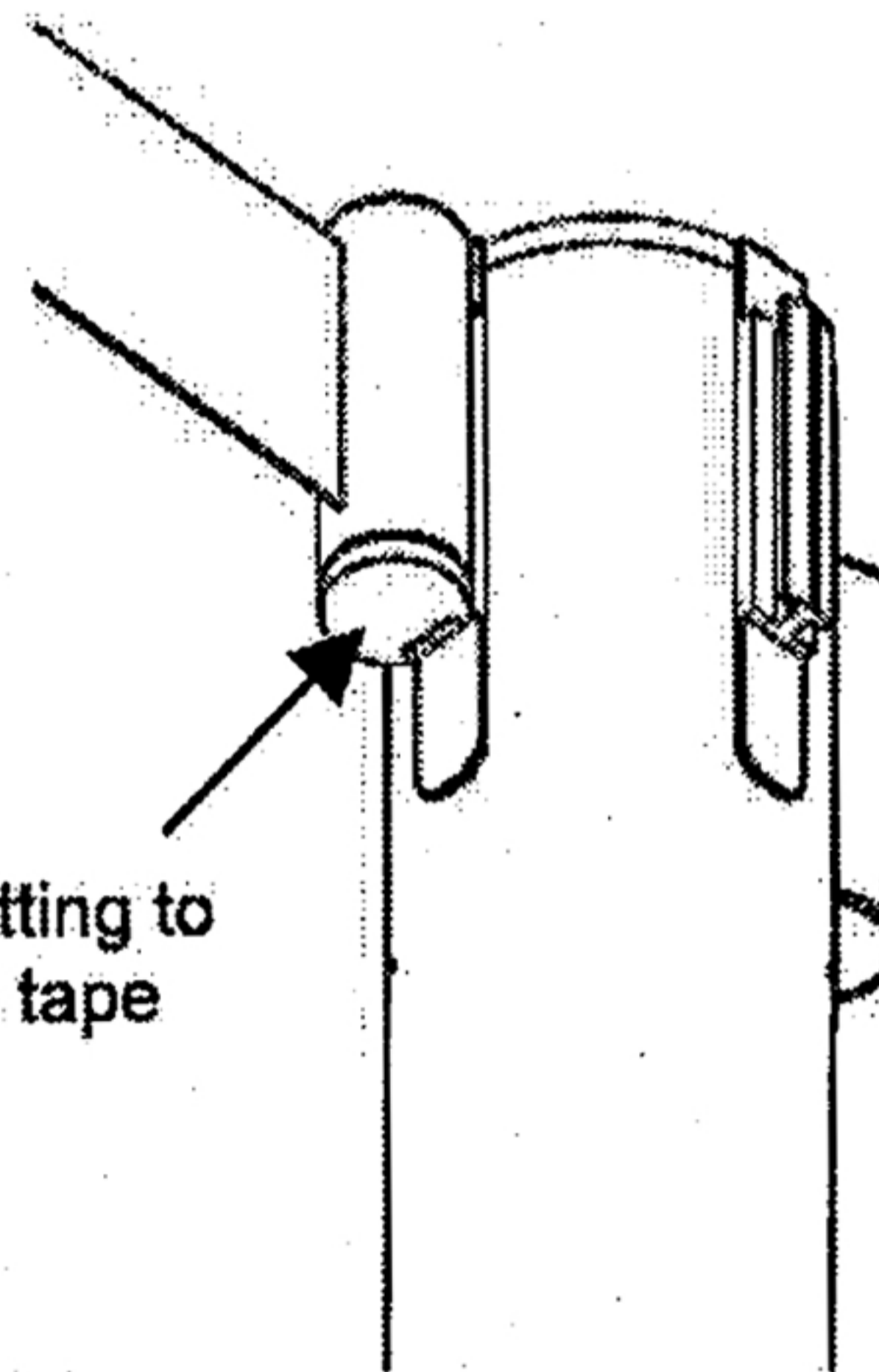
User instructions

1



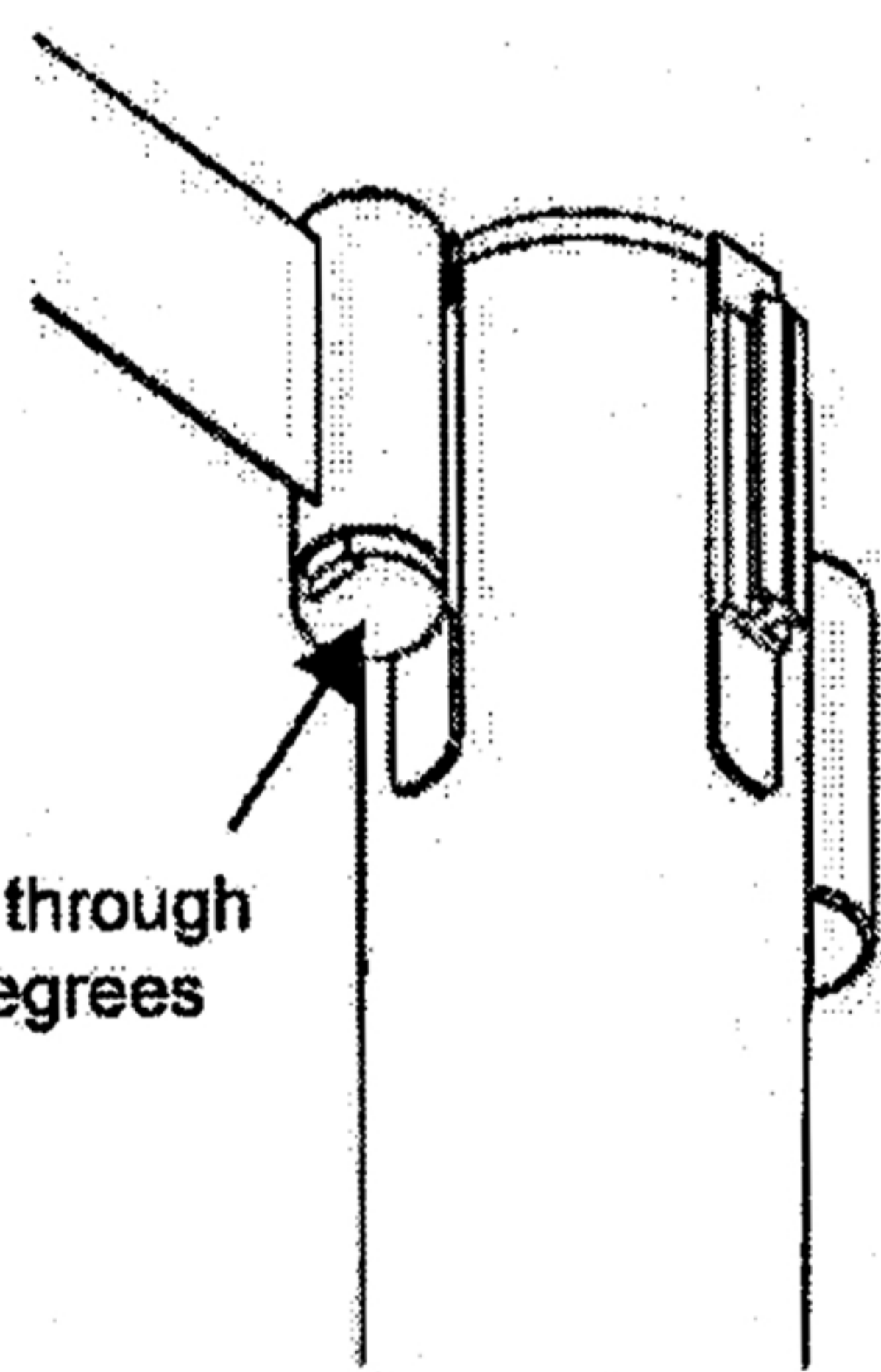
2

Rotate fitting to secure tape



3

Turned through 180 degrees



4

