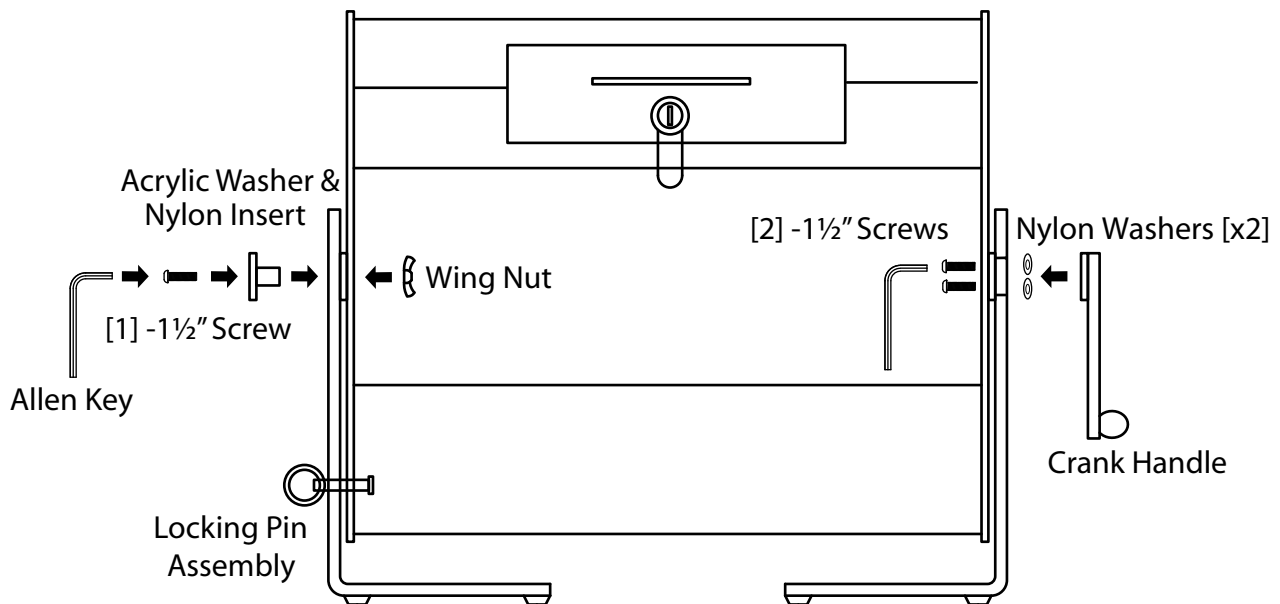


Assembly Instructions

Make Sure all parts are included before proceeding

Drum	Locking Pin
Base Parts [x2]	Key Loop
Crank Handle	Keys for Lid Lock [x2]
Acrylic Washer	1½" Screws [x3]
Nylon Insert	Allen Key
Wing Nut	Nylon Washers [x2]



Step 1: Insert the Locking pin from inside the Base and attach the Key loop through the hole in the pin.

Step 2: Prepare [1] -1½" screw by sliding it into the Acrylic Washer and then into the Nylon Insert.

Step 3: Attach Base with small holes by using [1] -1½" screw with the Acrylic Washer, Nylon Insert and Wing nut.

Step 4: Push the locking pin into the second hole of the End Cap in the drum to hold it in position.

Step 5: On the opposite end, insert the remaining [2] -1½" screws with two washers from the inside of drum and place the base over the acrylic bushing of the drum.

Step 6: Carefully tighten the [2] -1½" screws to the crank handle.