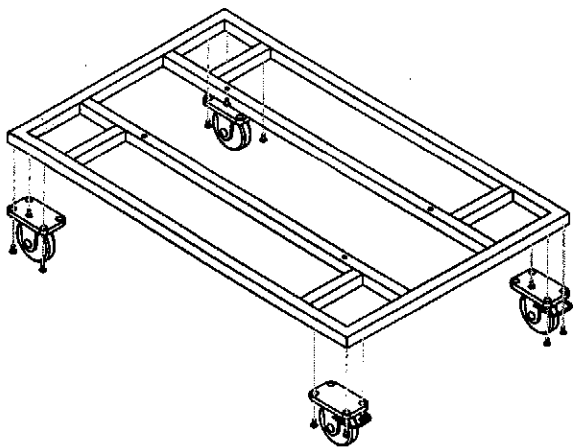
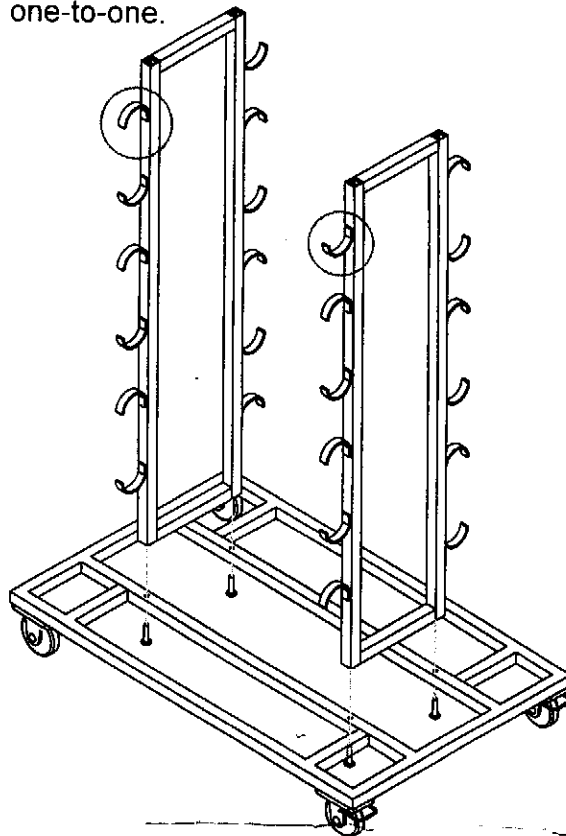


1. Screw up the 4pcs wheels to the under frame. Only need to tighten 3pcs screws for each wheel.

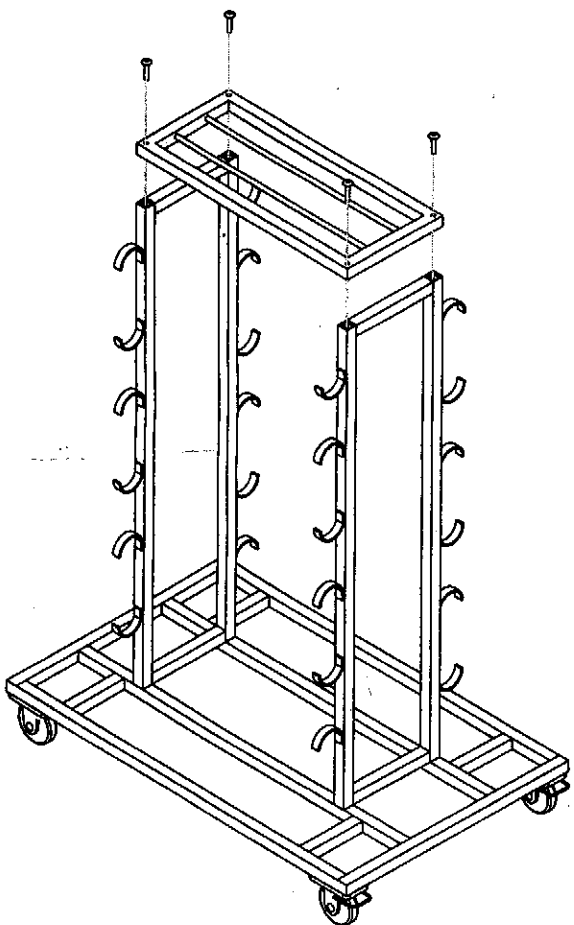


2. Put the two side frames on the under frame and screw them tightly.

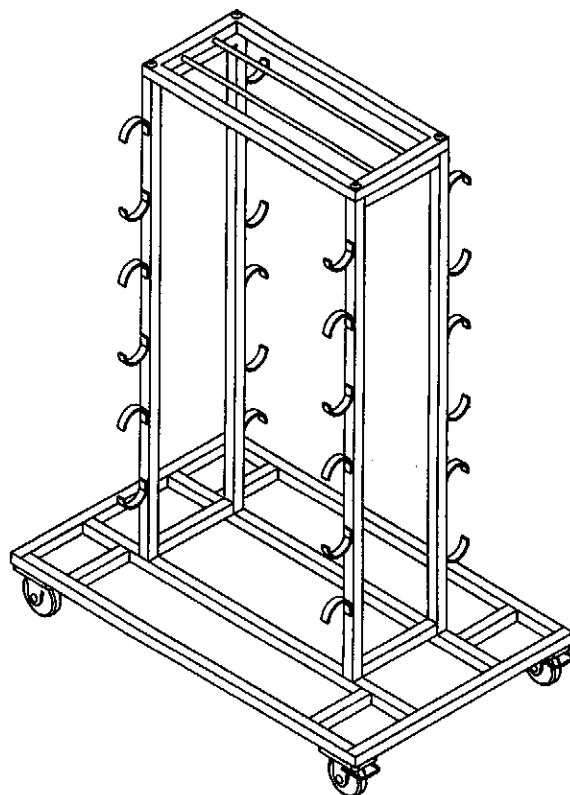
Note: Mind the left and right frames must be placed like the picture, with opposite brackets one-to-one.



3. Put the top fram on the frames and crew them tightly.



4. Done a complete cart.



Screws:

- 12 pcs M 6 x 10 for Wheels Assembly
- 8 pcs M10 x 55 for Frame Assembly