

QCRND Series Sign Holders

Parts List & Assembly Instructions

Step 1:

Please read all directions before assembling

Step 2:

Check that all parts are included

Parts List

- (1) Quick-Clip Sign Holder/Pole Assembly
- (1) Heavy Metal Base
- (2) M6 x 0.75 Allen Head Screws for Base
- (1) Hex Key for above
- (1) Two-Screw Channel Plate (in poly bag) for attaching Pocket
- (1) Clear Acrylic Pocket (included with QCRND8511 & QCRND1117)

Step 3: (Only applies to versions with pockets)

Installing Two-Screw Channel Plate on QCRND8511 (with pocket) only

Before attaching base, remove **two-screw channel plate** from poly bag. Slide channel plate with screws into the channel on the **pole assembly** from bottom. **Tip:** Lay unit on floor with channel facing up, adjust the position of plate by sliding it within channel to the desired pocket height. Remove screws with a Philips-head screw driver (*not included*).

Step 4: (Only applies to versions with pockets)

Attach Clear Acrylic Pocket to Pole Assembly

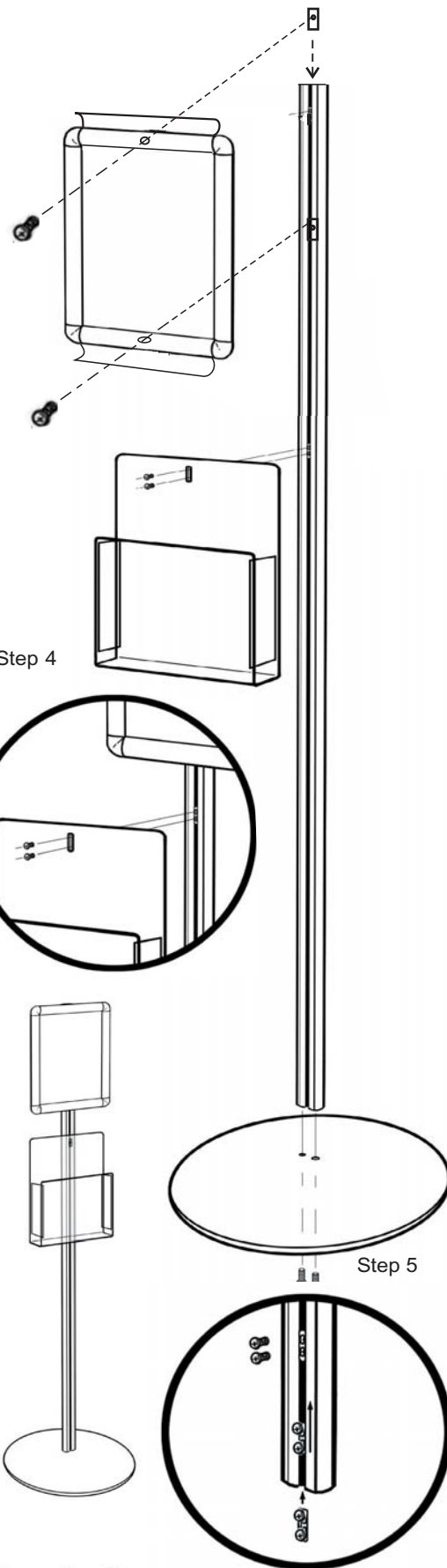
Place **clear acrylic pocket** over plate lining up holes. Re-insert screws through pocket into plate and tighten (see *illustration*). **Note:** Tighten screws carefully when attaching pocket. Over-tightening may crack the acrylic. Tighten only to snug. **Do not over-tighten.**

Step 5:

Attach Base to Pole/Sign Holder Assembly

Stand **base** along edge and line up pre-threaded holes in **pole assembly**. Place two screws through base into threaded holes located in bottom of pole assembly. Fasten screws with provided hex key. **Note:** Pole assembly is aluminum - do not over tighten hex screws.

Questions? Call 1-800-572-2194.



DISPLAYS2GO

DIVISION OF GEORGE PATTON ASSOCIATES, INC.

55 Broad Common Road, Bristol, RI 02809 • Phone 1-800-572-2194 Fax 401-247-0392