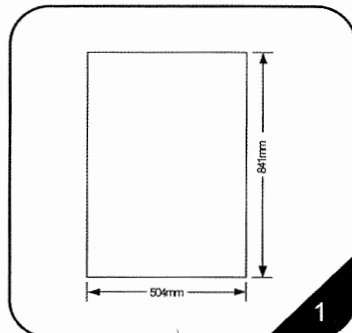
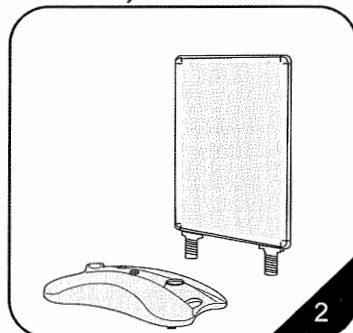


INSTALLATION STEPS

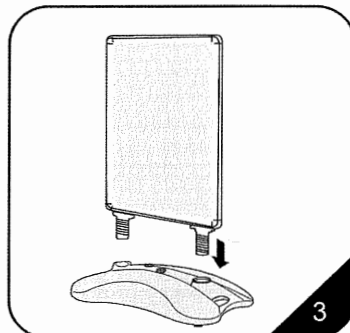
THIS INSTRUCTION BASED ON C-15B,
CAN BE APPLIED INTO C-15A,C-15B AND C-15B-A.



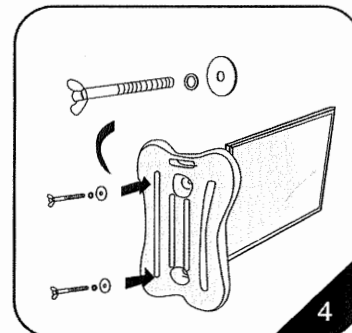
1. The poster size is 504mm wide x 841mm high.



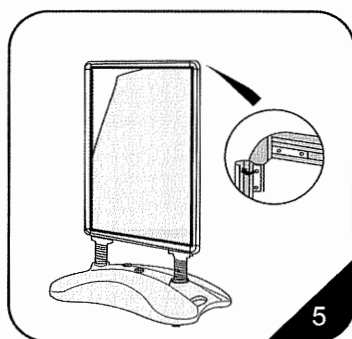
2. The carton will contain a water-fill base and a poster frame.



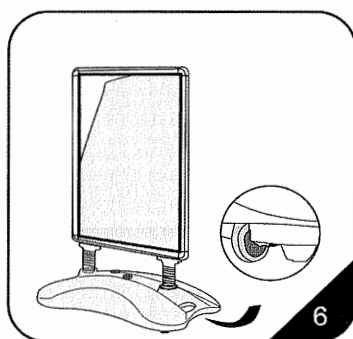
3. Insert the legs of the poster frame into the holes of the water-fill base.



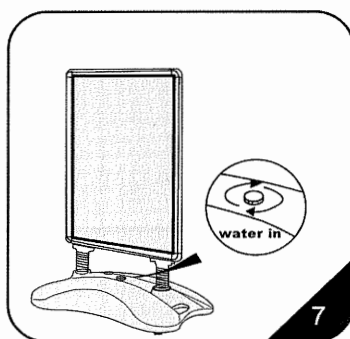
4. Resting the poster frame on the ground, use the fixings shown to attach the water-fill base to the poster frame.



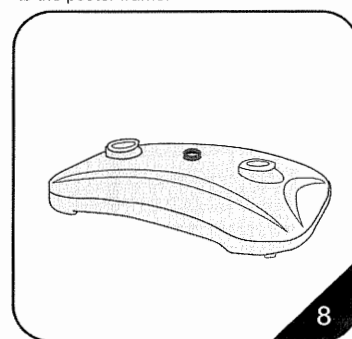
5. Open the poster frame sides and remove the poster cover.



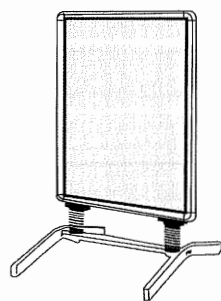
6. Place the poster behind the poster cover and refit. The sign is ready to be moved.



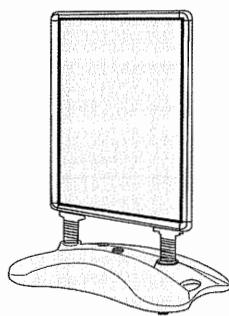
7. Please put water or sand in the base.



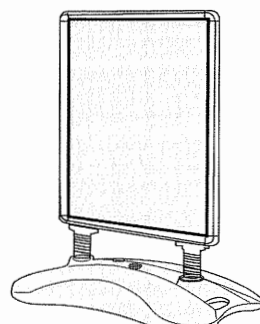
8. New base unit optional.



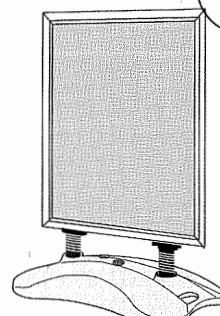
C-15A



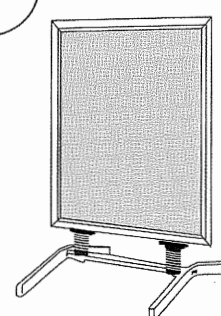
C-15B



C-15B



C-15B-A



C-15A-A

(The poster size is
700X1000mm and 841x1189mm)

Model	Type	Graphic Size	Net Weight	Package	Gross Weight	Measurement	Color	
C-15A	Double	84.1x118.9cm(A0)	13.9kg	1pc	18.9kg	138x26x92cm	SL	
		59.4x84.1cm(A1)	11.8kg		15.3kg	67x22x103cm	0.152m ³	GREY
		70x100cm	13.1kg		17.1kg	118x25x77cm	0.227m ³	
C-15B/ C-15B-A	Double	84.1x118.9cm(A0)	14.0kg	1pc	19.0kg	138x26x92cm	SL	
		59.4x84.1cm(A1)	11.8kg		15.3kg	67x22x103cm	0.152m ³	GREY
		70x100cm	13.8kg		17.1kg	118x25x77cm	0.227m ³	

C-15A-A

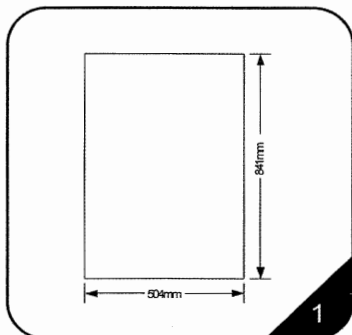
NEXT PAGE



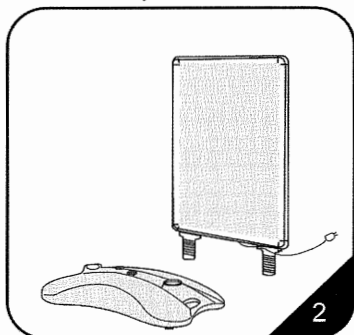
CAUTION:
PLEASE READ THE INSTRUCTIONS BEFORE INSTALLING PRODUCTS

INSTALLATION STEPS

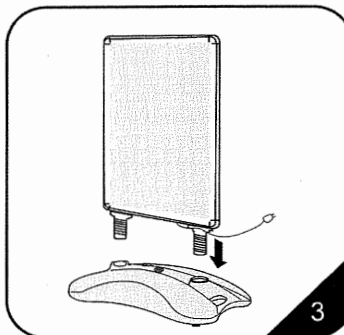
THIS INSTRUCTION BASED ON C-15C,
CAN BE APPLIED INTO C-15C,C-15C AND C-15D.



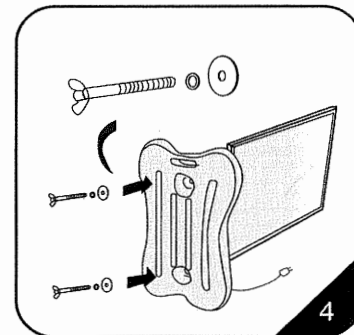
1. The poster size is 504mm wide x 841mm high.



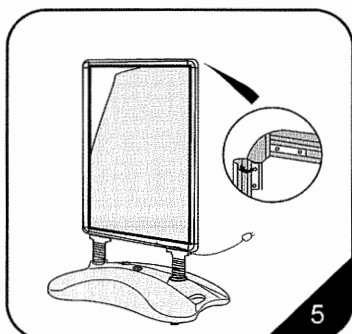
2. The carton will contain a water-fill base and a poster frame.



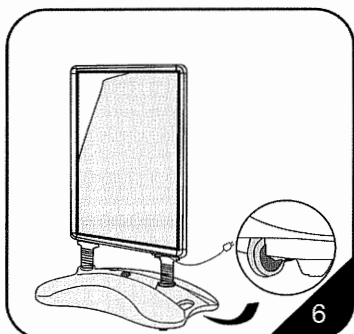
3. Insert the legs of the poster frame into the holes of the water-fill base.



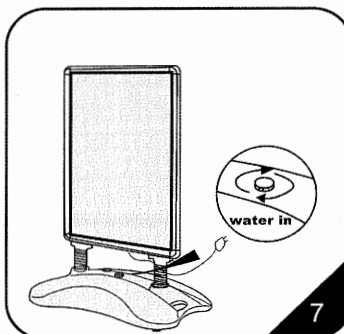
4. Resting the poster frame on the ground, use the fixings shown to attach the water-fill base to the poster frame.



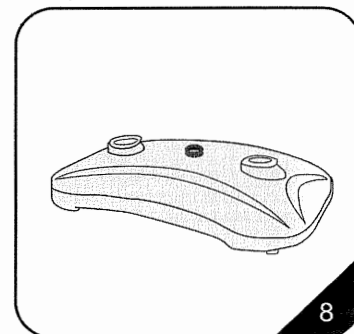
5. Open the poster frame sides and remove the poster cover.



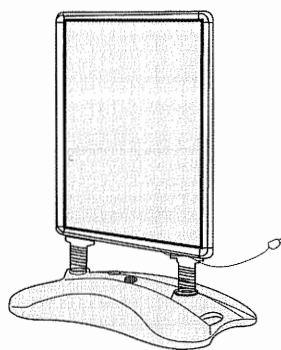
6. Place the poster behind the poster cover and refit. The sign is ready to be moved.



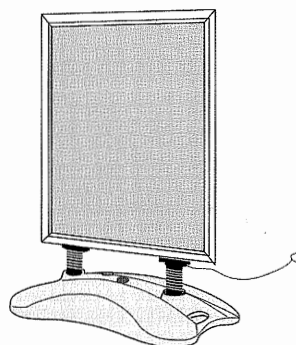
7. Please put water or sand in the base.



8. New base unit optional.



C-15C



C-15D
(Ultrathin light box)

Model	Type	Graphic Size	Net Weight	Package	Gross Weight	Outer Carton Size	Measurement	Color
C-15C	light box		23kg	1pc	25.6kg	230x800x1080cm	0.199m ³	SL
	base		9.0kg	1pc	10.0kg	190x530x880cm	0.089m ³	GREY
C-15D	light box		24.2kg	1pc	27kg	1140x740x270cm	0.199m ³	SL
	base							GREY



CAUTION:
PLEASE READ THE INSTRUCTIONS BEFORE INSTALLING PRODUCTS