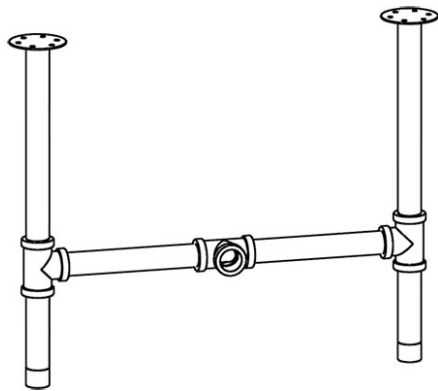


ASSEMBLY INSTRUCTIONS - PPLNNSML

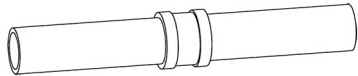
PARTS LIST

A. Leg	X2
B. Middle Connector	X1
C. Wood Table	X1
D. Screw	X2
E. Hex Key	X1
F. Wood Screw	X12
G. Screw Driver	X1

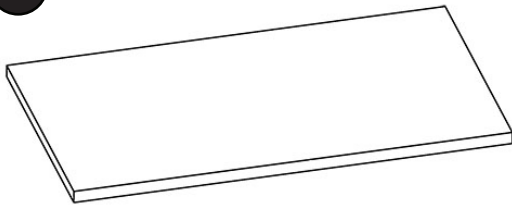
A



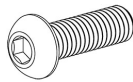
B



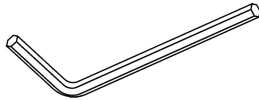
C



D



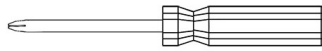
E



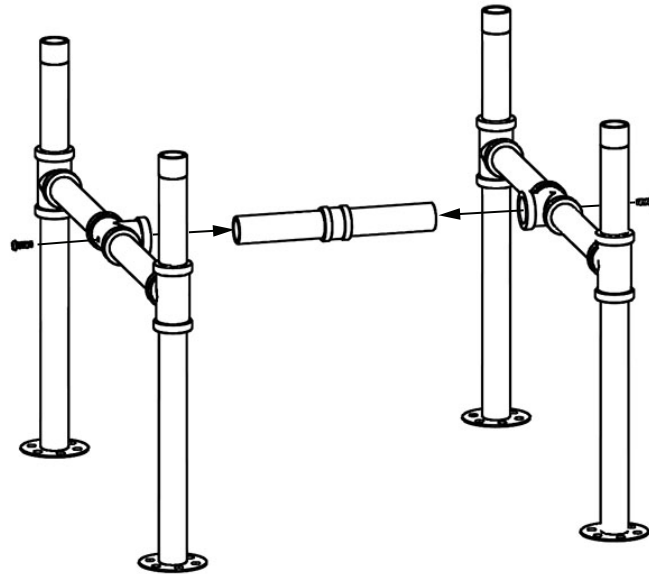
F



G



Step 1. Assemble (2) Legs (A) with Middle Connector (B) by fastening (2) screws (D) from both sides. Use Hex Key (G) provided within the package.



Step 2. Lay Wood Table (C) on a clean, smooth surface (the side with pre-drilled holes facing up). Place the assembled leg frame in Step 1, and align holes on the round plate with the holes on the bottom of the Wood Table. Insert (3) wood screws (F) through each mounting plate. Tighten all wood screws with provided Phillips Screw driver (G).

