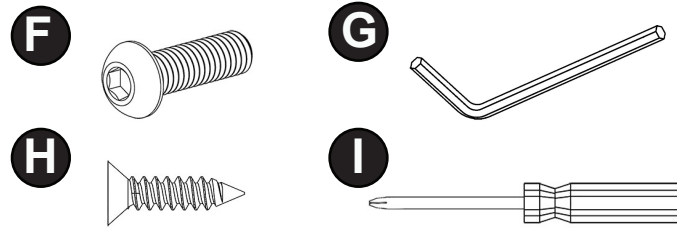
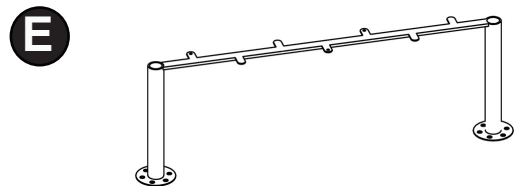
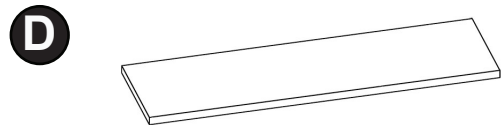
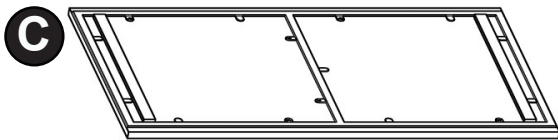
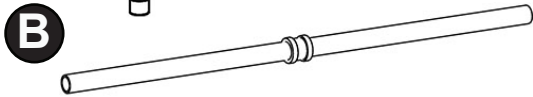
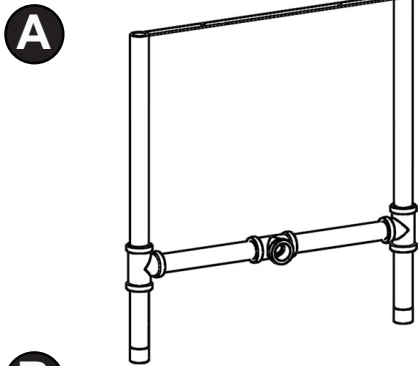


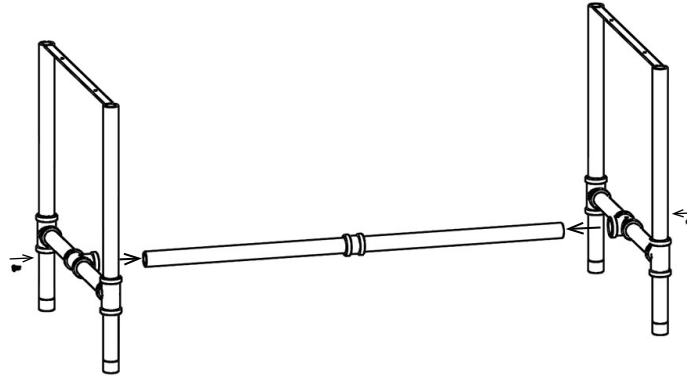
ASSEMBLY INSTRUCTIONS - PPLNNSTLRG

PARTS LIST

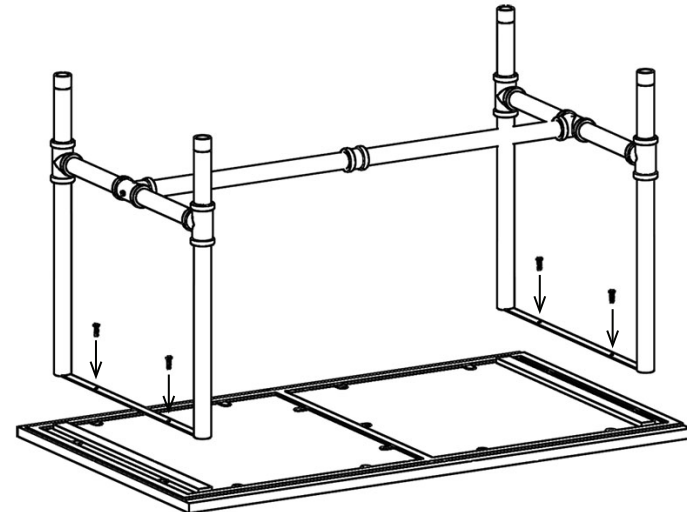
A. Leg	X2
B. Middle Connector	X1
C. Wood Countertop	X1
D. Top Wood Table	X1
E. Top Table Connector	X1
F. Screw	X6
G. Hex Key	X1
H. Wood Screw	X14
I. Screw Driver	X1



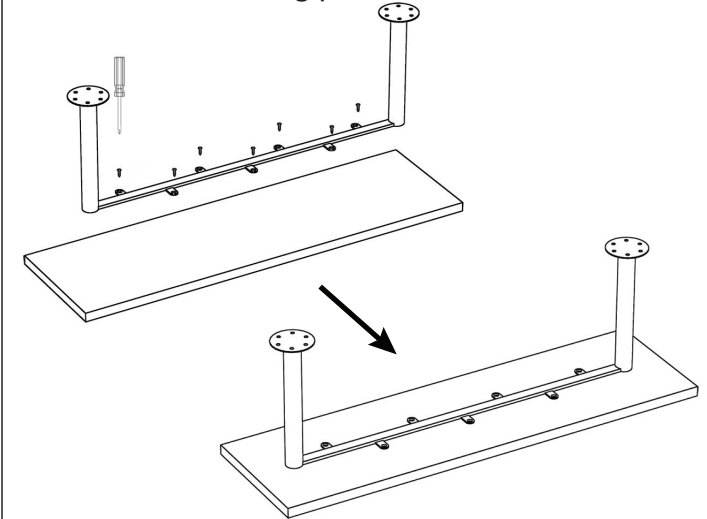
Step 1. Assemble (2) Legs (A) with Middle Connector (B) by fastening (2) screws (F) from both sides. Use Hex Key (G) provided within the package.



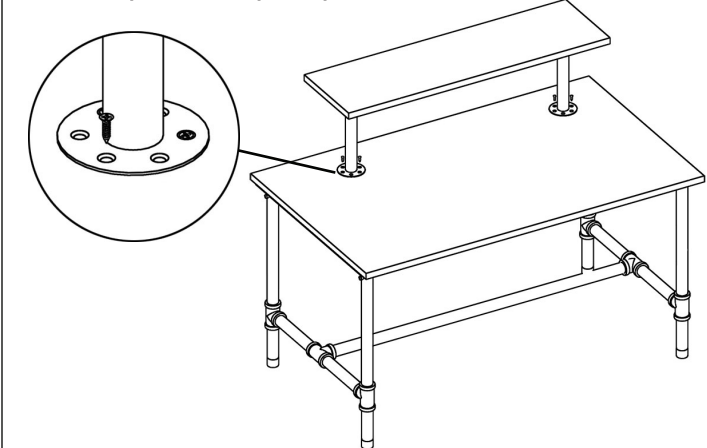
Step 2. Flip over the assembled leg frame in Step 1, and connect it to the bottom of the Wood Countertop (C) with (4) screws (F) as shown in picture below.



Step 3. Lay Top Wood Table (D) on a clean, smooth surface (the side with pre-drilled holes facing up). Align holes on Top Table Connector (E) with holes at bottom of Wood Table-top. Insert and tighten (8) Wood screws (H) using provided screw driver (I).



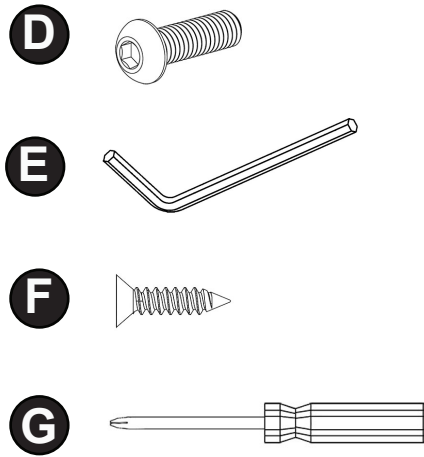
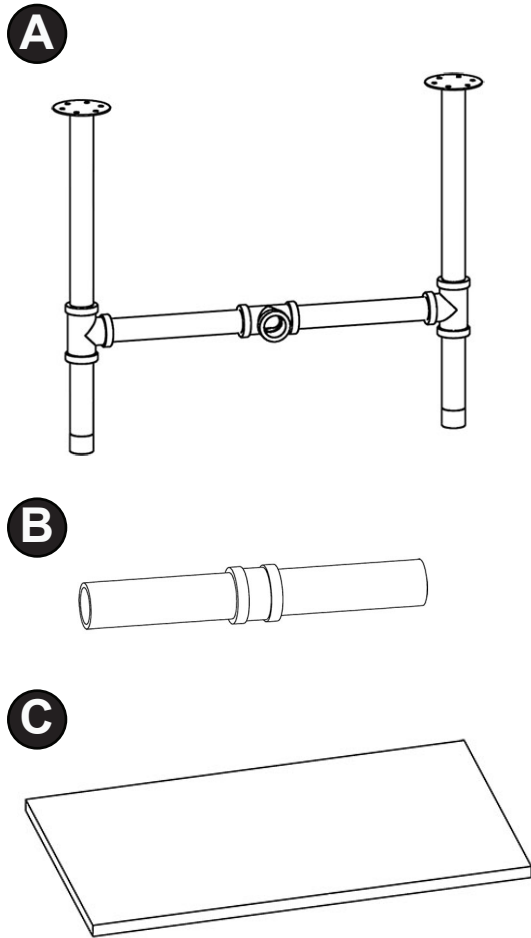
Step 4. Flip over the assembled parts in Step 3. Align holes in Top Table Connector (E) with pre-drilled holes on Wood Countertop (D). Insert (3) Wood screws (H) on each mounting plate on Top Table Connector. Tighten all Wood Screws with the provided phillips screw driver (I).



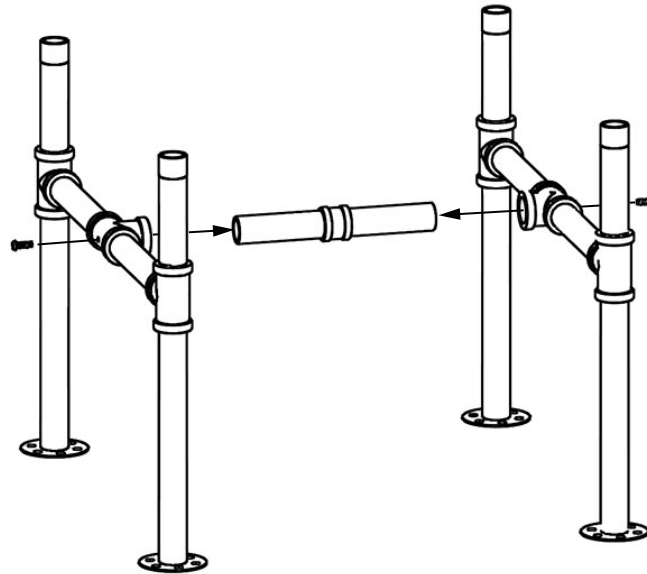
ASSEMBLY INSTRUCTIONS - PPLNNSML

PARTS LIST

A. Leg	X2
B. Middle Connector	X1
C. Wood Table	X1
D. Screw	X2
E. Hex Key	X1
F. Wood Screw	X12
G. Screw Driver	X1



Step 1. Assemble (2) Legs (A) with Middle Connector (B) by fastening (2) screws (D) from both sides. Use Hex Key (G) provided within the package.



Step 2. Lay Wood Table (C) on a clean, smooth surface (the side with pre-drilled holes facing up). Place the assembled leg frame in Step 1, and align holes on the round plate with the holes on the bottom of the Wood Table. Insert (3) wood screws (F) through each mounting plate. Tighten all wood screws with provided Phillips Screw driver (G).

