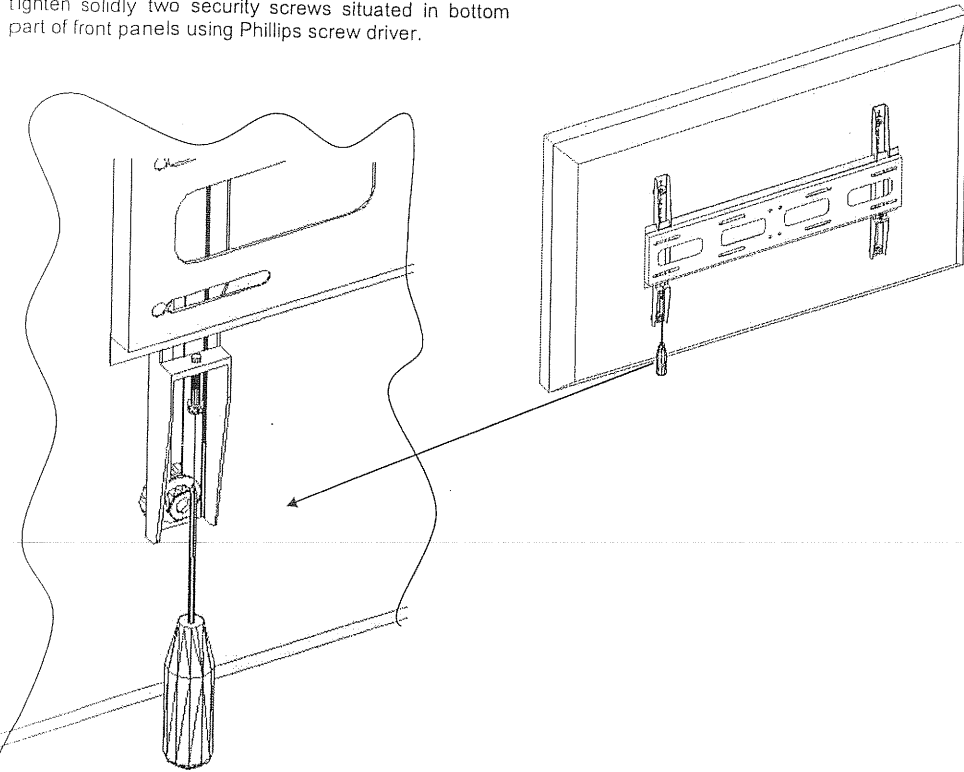


4. Security screw

When the screen is hanging securely on the back plate, tighten solidly two security screws situated in bottom part of front panels using Phillips screw driver.



5. Maintenance

Before maintenance of wall mount it is necessary to turn off and unplug plasma/LCD screen. Wipe the screen up with dry cloth. If the wall mount is very dirty, it is necessary to remove the dirt first with neutral cleaner diluted with water, and than wipe the mount up with dry cloth. You can not use such cleaners like solvent, furniture wax as it may cause peeling off of the powdercoated metal parts.

PLBRC3760V

PLBRC3760V Universal Vertical Fixed Wall Mount
for 37-60" plasma / LCD
Installation manual

SAFETY WARNING!

Remarks regarding safety and installation

INSTRUCTIONS MUST BE ALWAYS FOLLOWED PRECISELY

1. Before installation read carefully this installation manual and instruction manual of your plasma/LCD screen for proper installation.
2. Installation of this unit should be carried out by at least two qualified technicians.
3. This unit is not adapted to direct installation on the ceiling surface.
4. Manufacturer is not liable for any damage or injury caused by mishandling or improper installation.
5. Maximum capacity load: 80 kg.
6. Mounting interface: min. 50x100 mm, max 400x900mm.

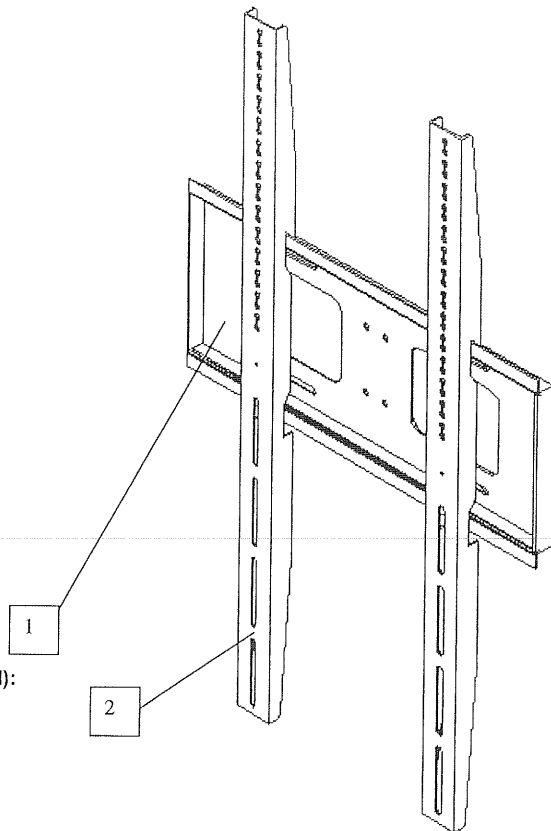
Universal Fixed Wall Mount PLBRC3760V

List of components:

- 1. Back plate – 1 pcs.
- 2. Front plate – 2 pcs.
- 3. Fixings and fixtures - 1 bag.
- 4. Instruction manual – 1 pcs.

Tools required for installation (not included):

- Allen key nr 3,4,5, 6 – 1 pcs.
- Phillips PH2 screwdriver – 1 pcs.

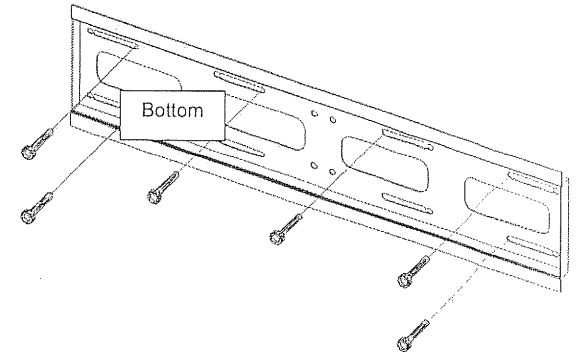


1. Mounting back plate on the wall surface

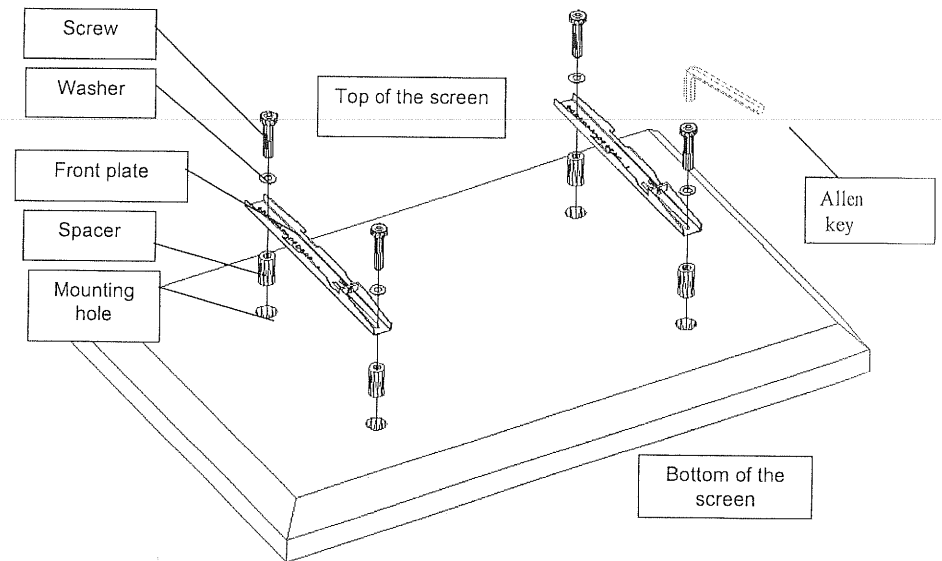
Mounting of the back plate to the wall should be carried out in desired position after prior checking of wall type and structure and according to building craft. If you have any doubt please consult a qualified builder or

contractor. It is not allowed to mount a screen on the wall which structure is not durable enough to hold the specified capacity load.

Mount back plate horizontally to the wall surface using screws/bolts (not supplied) suitable to the type and structure of wall.



2. Mounting front plates to the back of plasma / LCD screen



Place plasma/LCD screen face down on soft cloth (to prevent damage) on a flat and stable surface.

Please compile all parts necessary for mounting:

- front plate – 2 pcs
- screw – 4 pcs.
- washer – 4 pcs.
- spacer – min. 4 pcs.

In the enclosed bag there are different screws, washers and spacers fitting different types and makes of