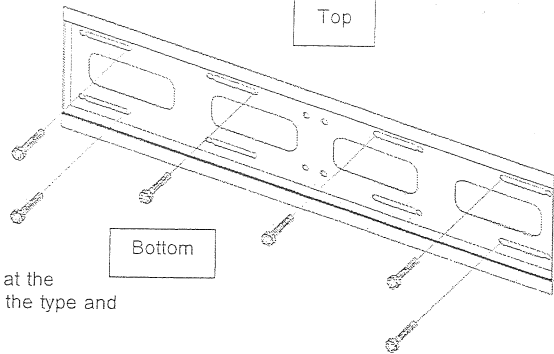


1. Mounting back plate on the wall surface

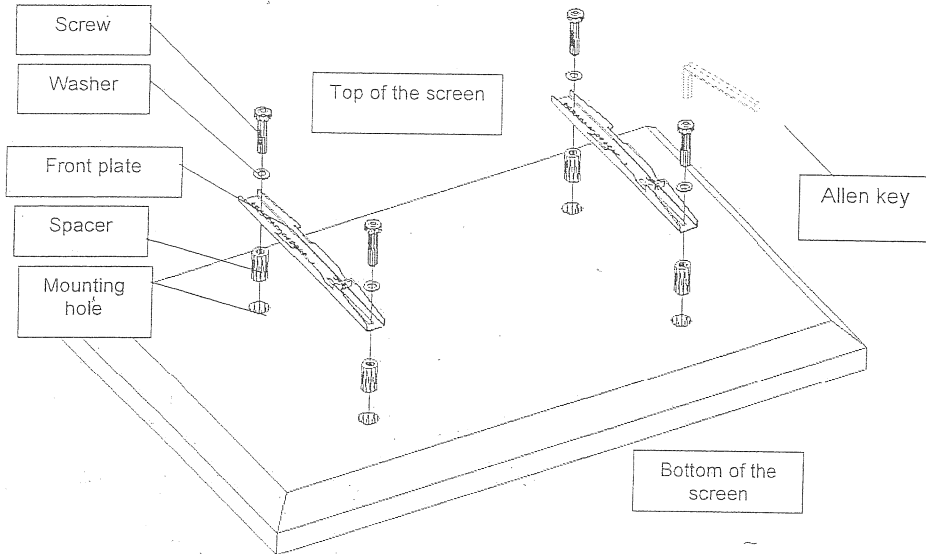
Mounting of the back plate to the wall should be carried out in desired position after prior checking of wall type and structure and according to building craft. If you have any doubt please consult a qualified builder or contractor. It is not allowed to mount a screen on the wall which structure is not durable enough to hold the specified capacity load.

Mount back plate horizontally to the wall surface using minimum 6 screws/anchors (4 at the top, 2 at the bottom) (not supplied) suitable to the type and structure of wall.

Warning! Improper usage of wall mounting elements may lead to damage of equipment or injuries.



2. Mounting front plates to the back of plasma / LCD screen



Place plasma/LCD screen face down on soft cloth (to prevent damage) on a flat and stable surface.

Please compile all parts necessary for mounting:

- front plate – 2 pcs
- screw – 4 pcs.
- washer – 4 pcs.
- spacer – min. 4 pcs.

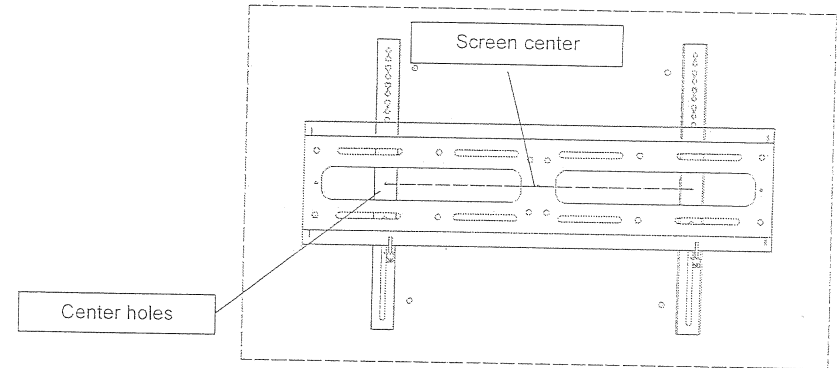
In the enclosed bag there are different screws, washers and spacers fitting different types and makes plasma/LCD screens. Only ONE set of screws, washers and spacers will be necessary for mounting front plate to the back of plasma/LCD screen.

Compile set of screws, washers and spacers in the following manner:

- select suitable height of spacers, in order to keep a couple millimeters distance between the back of plasma/LCD screen and front panels
- select suitable screws (length and thread), so that after assembling spacers, front panels and washers together the depth mounting pole back of the plasma/LCD screen is adequate to the length of the screw thread. Screw can not be too long, because while screwing in it may cause damage to your screen.

Position front panels centrally on the back of the screen

Tighten previously selected screws using Allen key.

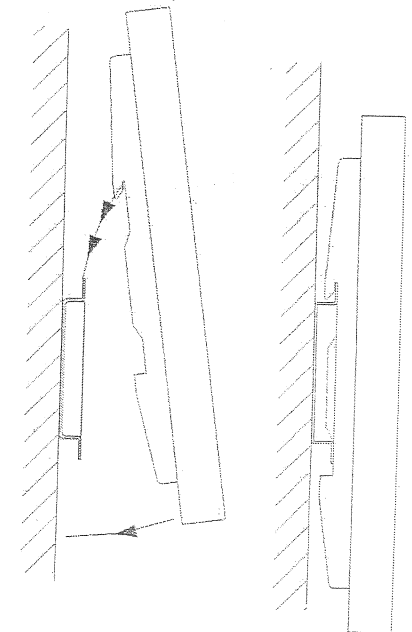
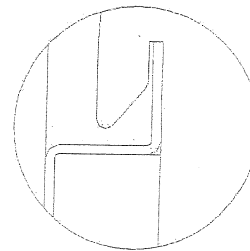


3. Mounting screen on the back plate

Please be careful while engaging plasma with the wall!!!

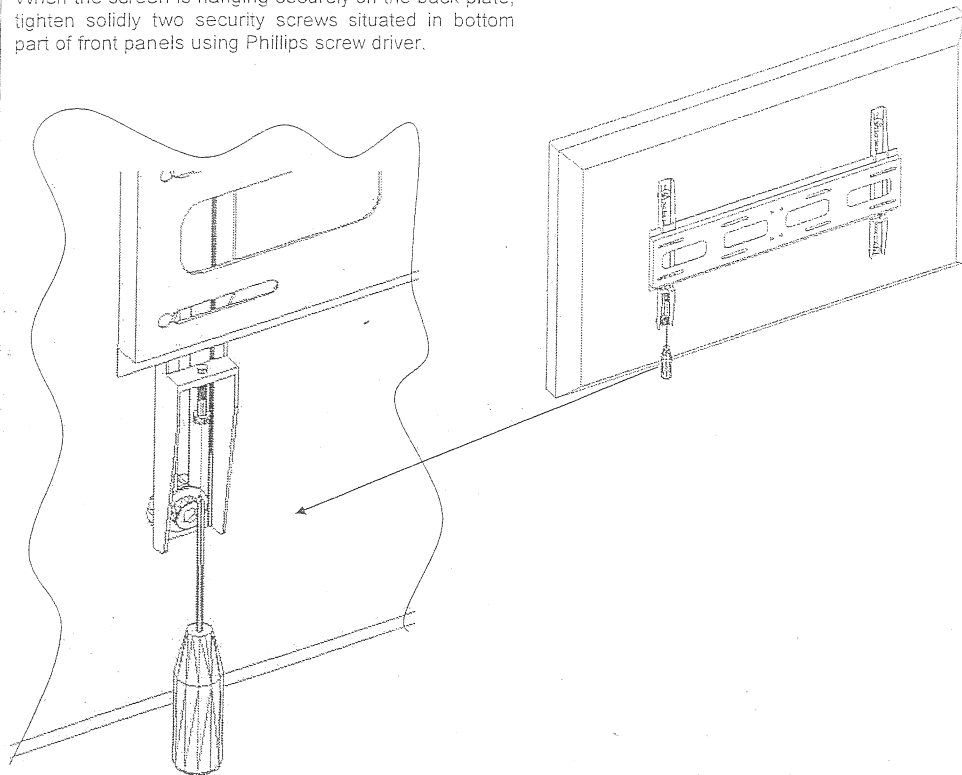
Raise the screen in vertical position (at least two people) with front plates already assembled to the back of the screen and hang it on the back plate mounted on the wall surface, so that hooks hang on the edge of the back plate (please see the drawing).

Make sure that the hooks are hooked on the edge of the back plate.



4. Security screw

When the screen is hanging securely on the back plate, tighten solidly two security screws situated in bottom part of front panels using Phillips screw driver.



5. Maintenance

Before maintenance of wall mount it is necessary to turn off and unplug plasma/LCD screen. Wipe the screen up with dry cloth. If the wall mount is very dirty, it is necessary to remove the dirt first with neutral cleaner diluted with water, and than wipe the mount up with dry cloth. You can not use such cleaners like solvent, furniture wax as it may cause peeling off of the powdercoated metal parts.

Rev.date: 4/8/2011 1:18:00 PM
instructor_manual_PLBRC32601_v.3.0

UNIVERSAL FIXED WALL MOUNT PLBRC32601

PLBRC32601

FOR 32-60" PLASMA /LCD SCREENS

User manual

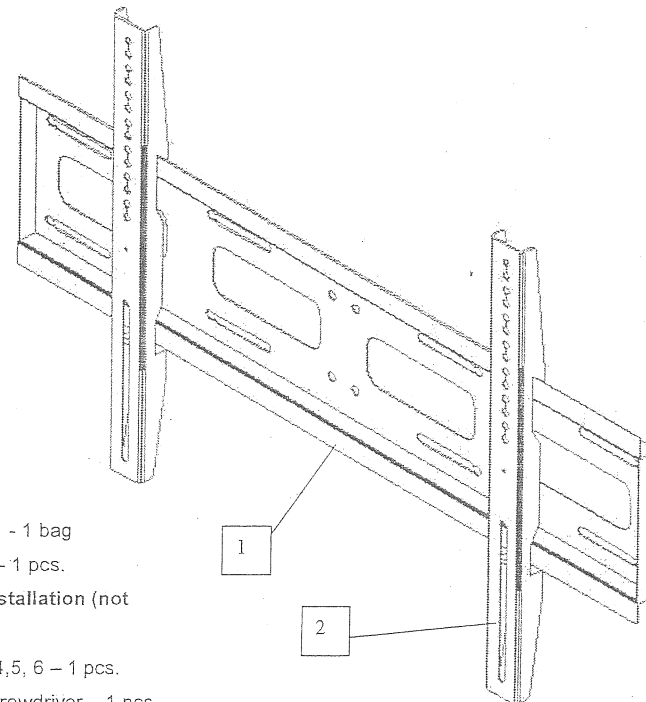
SAFETY WARNING!

Remarks regarding safety and installation

INSTRUCTIONS MUST BE ALWAYS FOLLOWED PRECISELY

1. Before installation read carefully this installation manual and instruction manual of your plasma/LC screen for proper installation.
2. Installation of this unit should be carried out by at least two qualified technicians.
3. This unit is not adapted to direct installation on the ceiling surface. Mounting to the ceiling is on possible with adapter.
4. is not liable for any damage or injury caused by mishandling or improper installation.
5. Maximum capacity load: 80 kg
6. Mounting interface: min. 100x100 mm, max 750x460mm
7. It is forbidden to use the bracket if it is damaged.
8. To mount the bracket use at least 6 screws/anchors with minimum tension load general of 1 kN

Universal Fixed Wall Mount PLBRC32601



List of components:

1. Back plate – 1 pcs.
2. Front plate – 2 pcs.
3. Fixings and fixtures - 1 bag
4. Instruction manual – 1 pcs.

Tools required for installation (not included):

- Allen key nr 3,4,5, 6 – 1 pcs.
- Phillips PH2 screwdriver – 1 pcs.