







PARTS		
A	Top Panel	1pc
B	Side Panel	2pcs
C	Back Panel	1pc
D	Base Panel	1pc
E	Shelf Panel	1pc

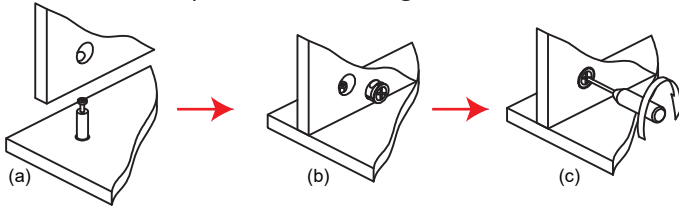
HARDWARE							
H1	Cam Lock		10pcs	H4	Angle Bracket		6pcs
H2	Cam Post		10pcs	H5	Shelf Holder Bracket		4pcs
H3	Wood Screw		72pcs	H6	Shelf Bracket		4pcs

Attention: Before you start assembling your podium; please prepare a soft surface work area on the floor. The only tool you will need is a screwdriver. Carefully remove all hardware from the package. To avoid damage to the laminated wood surfaces, keep hardware parts separated until they are needed for assembly.

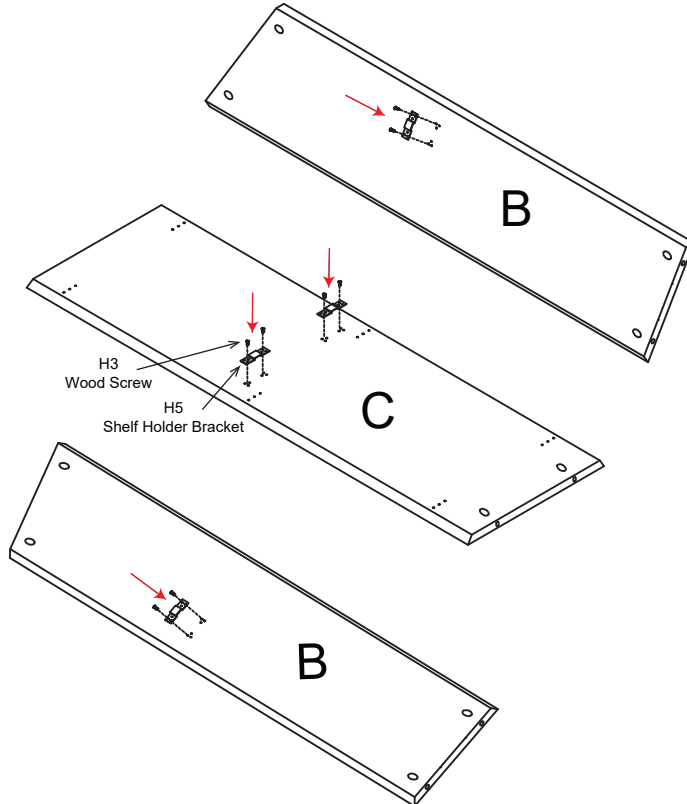
2 PERSON RECOMMENDED.

How to join 2 boards with CAM lock:

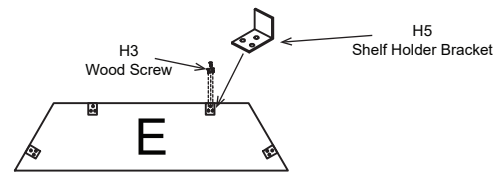
- Insert cam post into flat surface of a board. Fit the hole in the edge of the joining board over the cam post.
- Each cam lock has an open section on the side. Insert the cam lock into the cam lock hole. Be sure the opening fits over the head of the cam post.
- Use a screw driver to turn the cam lock clockwise so it locks onto the head of the cam post. Do not over tighten.



- Fix 4 shelf holder brackets (H5) onto back panel (C) and 2 side panels (B) by screwing wood screws (H3) into pre-drilled holes.

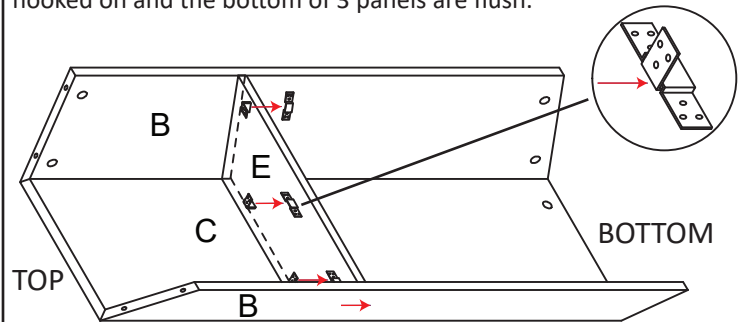


- Fix 4 shelf brackets (H6) to the bottom of the shelf panel (E) by screwing wood screws (H3) into pre-drilled holes.

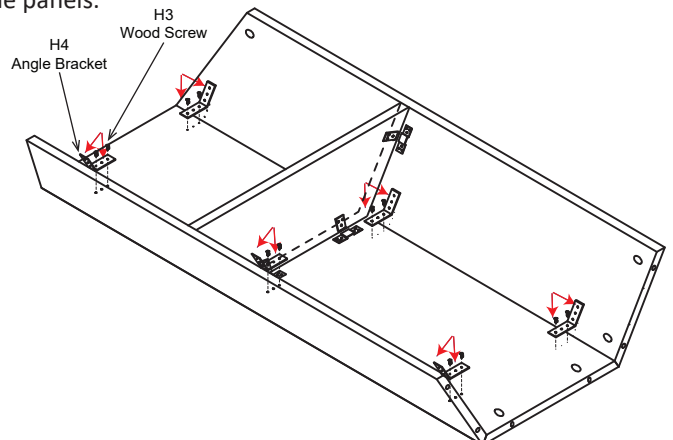


- Identify the top and the bottom of back panel and side panels. Attach side panels to back panel and hold the 3 panels in position as shown below.

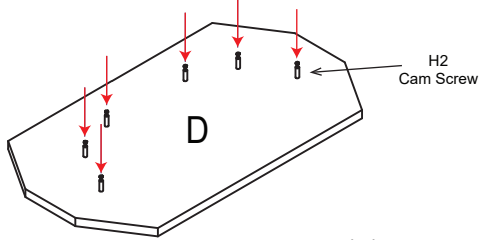
Slide shelf panel (E) from top and insert attached shelf brackets (H6) into shelf holder brackets (H5). Be sure all 4 brackets are hooked on and the bottom of 3 panels are flush.



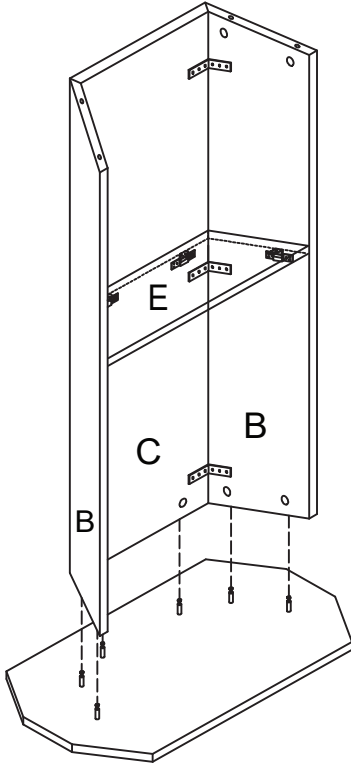
With the shelf assembled, one person can hold the side panels and back panel while another person fix all angle brackets (H4) at the inner edges by tightening wood screws into the pre-drilled holes in the panels.



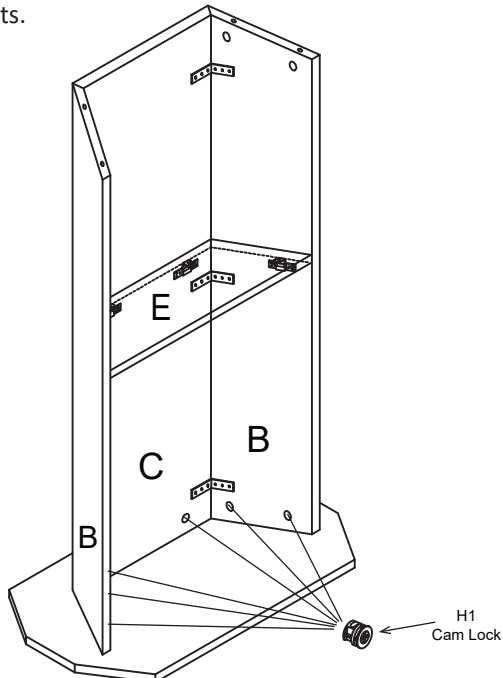
4. Screw 6 cam posts (H2) into holes in base panel (D).



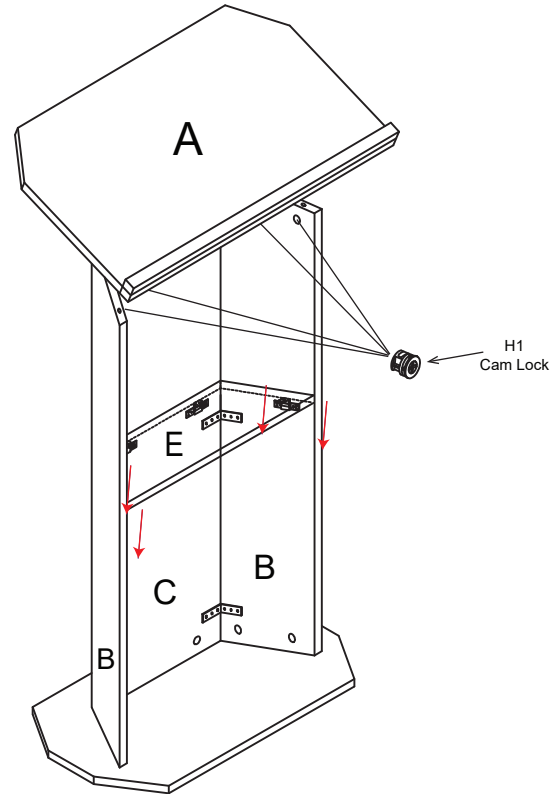
Attach assembled podium body to base panel (D) by inserting cam posts into the cam lock holes.



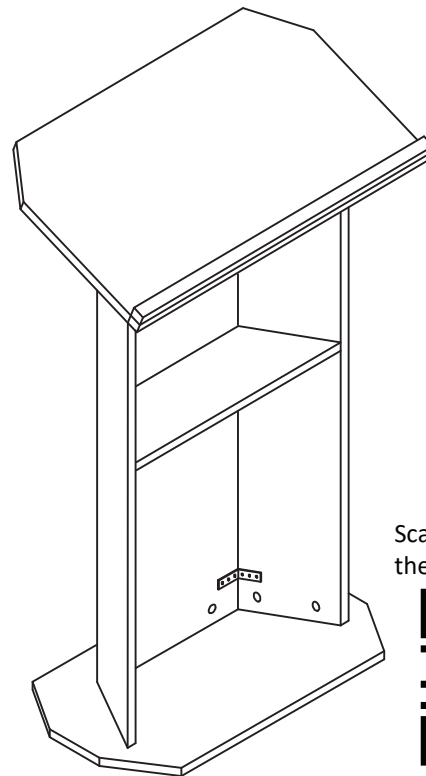
Insert 6 cam locks (H1) into cam lock holes in Panel (B) and Panel (C), use a phillips screw driver to rotate cam locks clockwise to secure cam posts.



5. Insert 4 cam posts (H2) into pre-drilled holes in top panel (A). Attach the top panel to the assembled podium body by inserting the cam posts into corresponding holes, then insert and tighten cam locks.



6. The assembly is finished.



Scan QR code to visit the product page:



If you have any questions regarding our products, please visit us at www.displays2go.com or contact D2G customer service at 844-221-3388.

Tips: Be sure the arrow on the cam lock nut is pointing at the cam post hole so the cam post can be easily inserted.