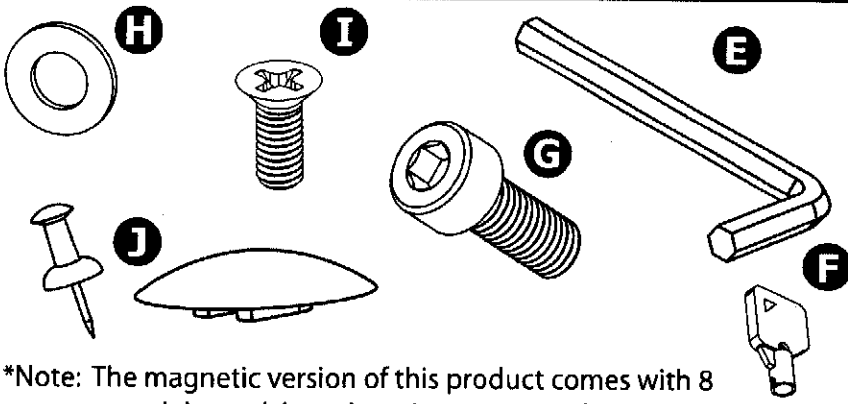
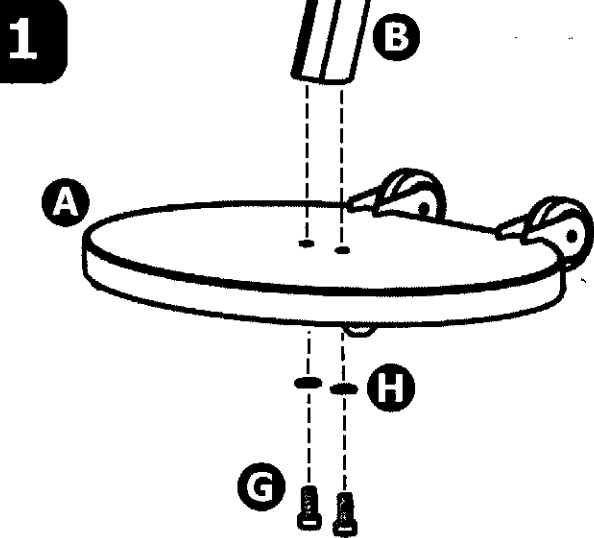


Outdoor Menu Stand Assembly Instructions

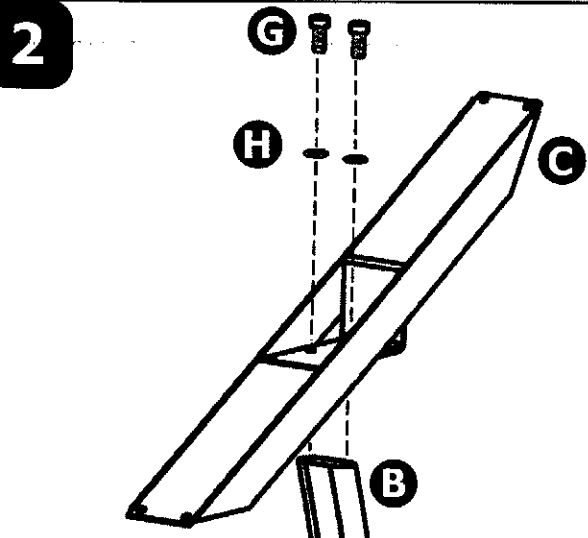


Parts		
	Description	QTY
A.	Base	1
B.	Post	1
C.	Mounting Bracket	1
D.	Menu Board	1
E.	Hex Key	1
F.	Locking Keys	4
G.	M8 Socket Head Screw	4
H.	M8 Washers	4
I.	M4 Flat Head Screws	4
J.	Push Pins or Magnets	*

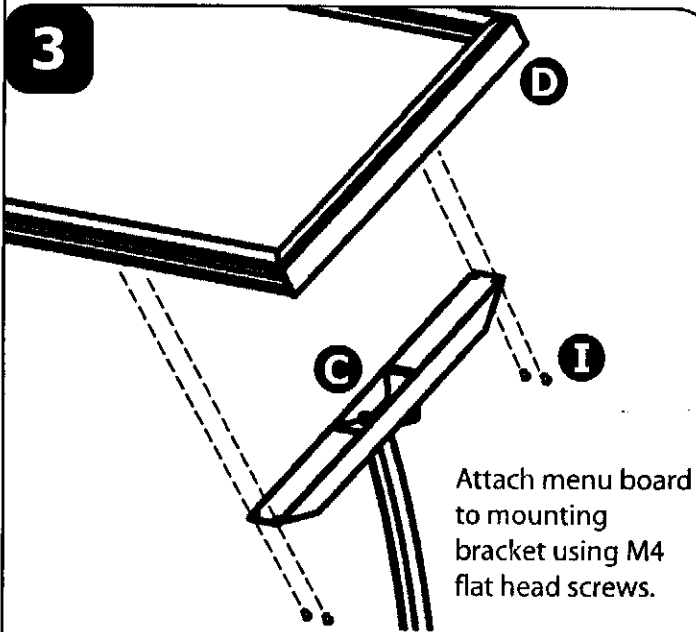
*Note: The magnetic version of this product comes with 8 magnets, and the cork board version comes with 50 push pins.



Attach post to base using M8 socket head screws and washers. Use supplied hex key.



Attach mounting bracket to post using M8 socket head screws and washers. Use supplied hex key.



Attach menu board to mounting bracket using M4 flat head screws.

