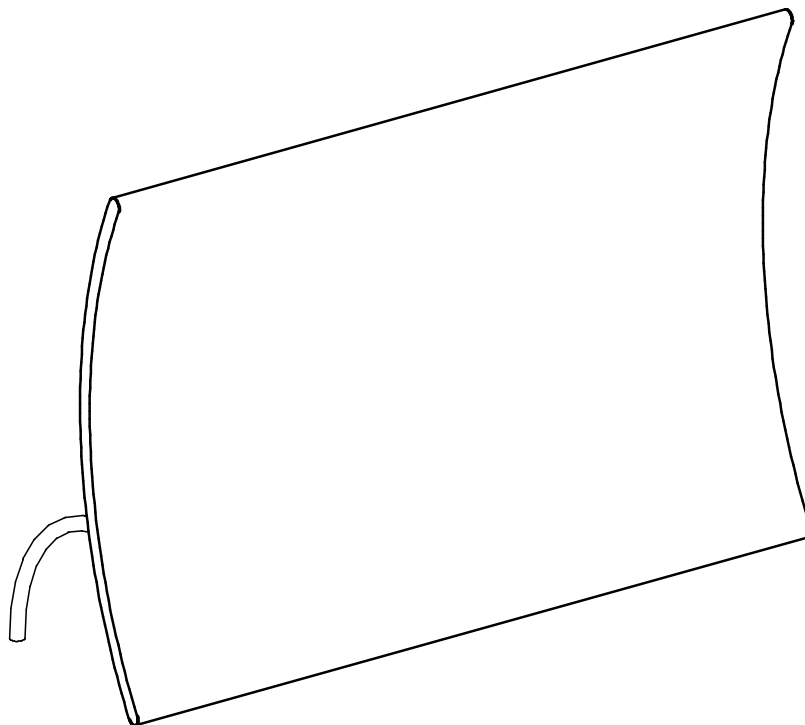


# FORMULATE TT1

Small Vertical Curve



**\*WARNING: Redesign of this exhibit without approval by ORIGIN may result in dangerous and unsafe structures. ORIGIN disclaims any responsibility for redesigned exhibits it does not approve in writing.**

ORDER#
DATE:

# FORMULATE TT1

## Small Vertical Curve

### Fabric structure assembly

**Step 1. Unpack small items from case then pull out large tube bag. Ground cloth should be used to keep frame & fabric clean.**

**Step 2. Assemble frame in numerical order as shown on right. Numbers will be on the back side of the tube. It is best to assemble with the frame laying flat as shown and set upright after the fabric is attached.**

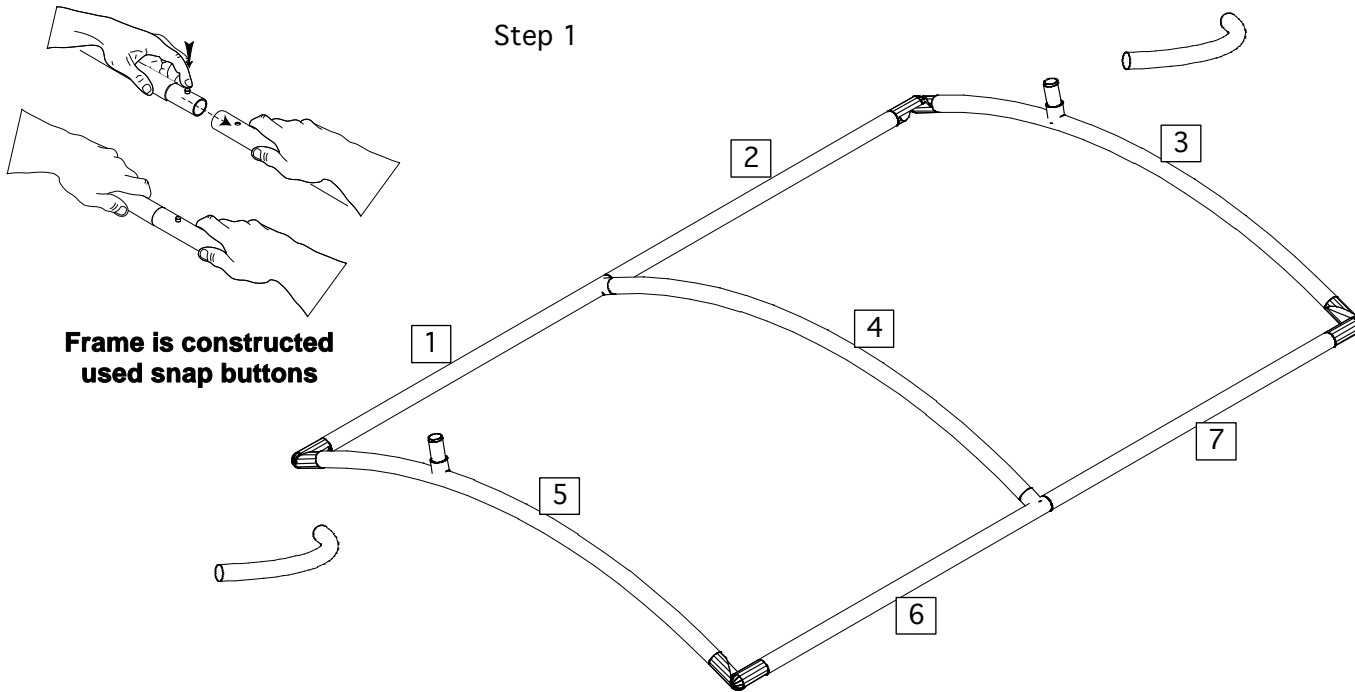
**Step 3. Stretch fabric over frame**

**- When working with fabric use gloves or clean hands and keep fabric away from dirty surfaces.**

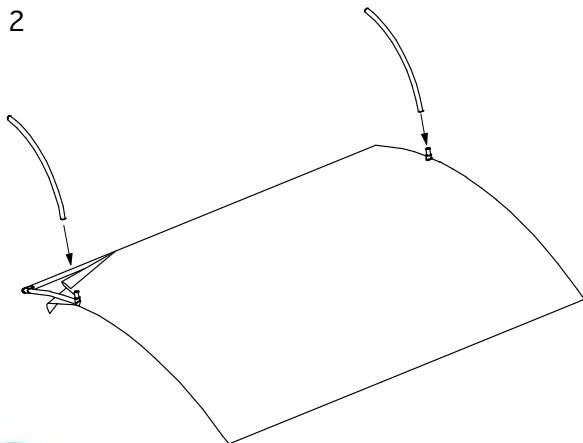
**Pull fabric over frame and secure with zipper.**

**Stand unit upright. Attach legs to back of unit. Adjust leveling feet on back of legs if needed.**

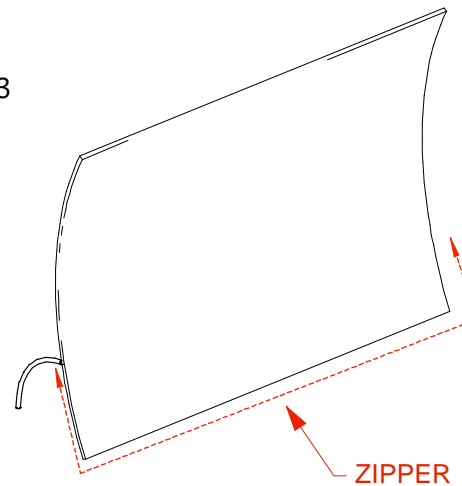
Step 1



Step 2



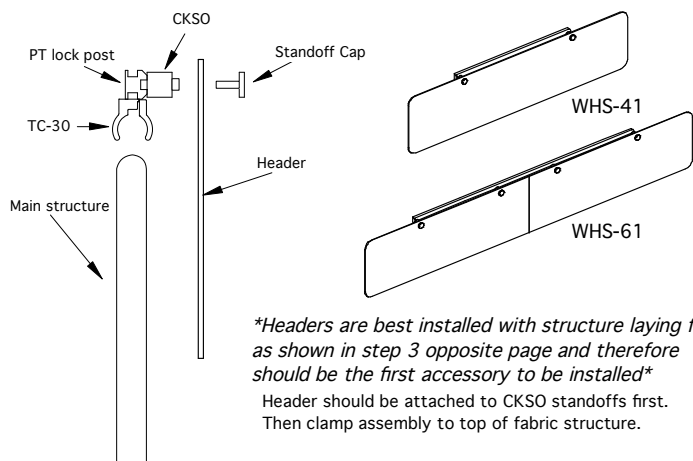
Step 3



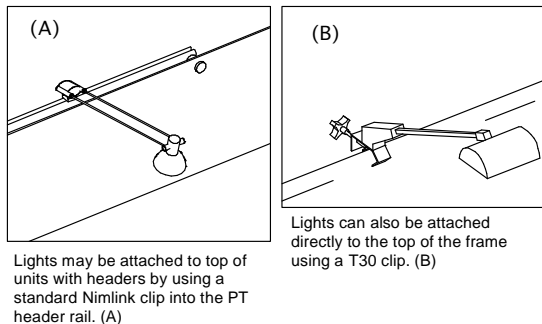
**\*WARNING: Redesign of this exhibit without approval by ORIGIN may result in dangerous and unsafe structures. ORIGIN disclaims any responsibility for redesigned exhibits it does not approve in writing.**

ORDER#
DATE:

### Graphic Header



### Lighting

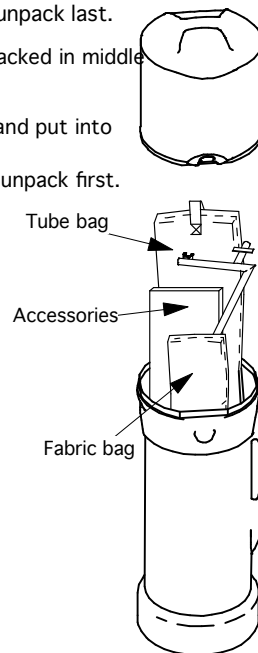


### Packing

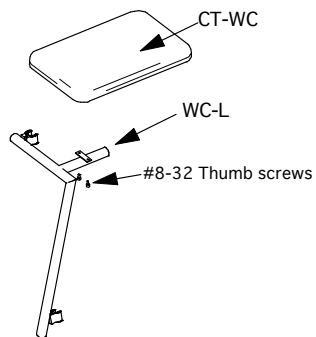
All tubes except side mount counter supports should be put into the tube bag.  
Pack tube bag first and unpack last.

Accessories should be packed in middle of case.

Fabric should be folded and put into smaller zippered bag.  
Pack fabric bag last and unpack first.

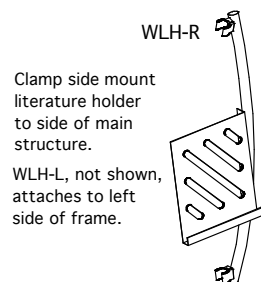


### Shelf Support



Side counter supports should be attached to side of main frame so that top of support is 39" from ground. Then attach counter top to support with thumb screws.  
WC-R, not shown, attaches to right side of frame.

### Literature Holder



## FORMULATE Accessories

### Accessory Set up

Accessories should be installed after fabric structure is assembled and fabric is put on frame. If using header, install header first.



**\*WARNING: Redesign of this exhibit without approval by ORIGIN may result in dangerous and unsafe structures. ORIGIN disclaims any responsibility for redesigned exhibits it does not approve in writing.**

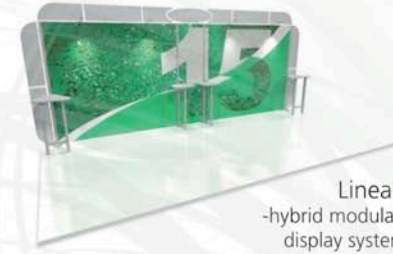
ORDER#
DATE:

# The Linear Family

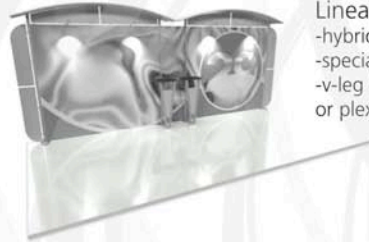
kits • custom • a la carte • accessories • monitor mounts • literature racks • tables • counters • canopies



**Linear Tabletop:**  
-hybrid modular display system  
-quick set up  
-stylish wing design options



**Linear:**  
-hybrid modular display system  
-10' and 20' booths  
-various table, header, and wing options



**Linear Pro:**  
-hybrid modular display system  
-specially designed canopies  
-v-leg tables with graphic or plex options



**Linear Fusion:**  
-hybrid modular display system  
-full custom display  
-design yourself or work with our expert team



**Linear Bold:**  
-hybrid modular display system  
-fabric or rollable graphic  
-a variety of configurations and accessory options

see the origin catalog for the full range of linear products



**\*WARNING: Redesign of this exhibit without approval by ORIGIN may result in dangerous and unsafe structures. ORIGIN disclaims any responsibility for redesigned exhibits it does not approve in writing.**