

Frame is constructed used snap buttons

Step 2

Fabric structure assembly

Step 1. Unpack small items from case then pull out large tube bag. Ground cloth should be used to keep frame & fabric clean.

Step 2. Assemble frame in numerical order as shown on right. Numbers will be on the back side of the tube. It is best to assemble with the frame laying flat as shown and set upright after the fabric is attached.

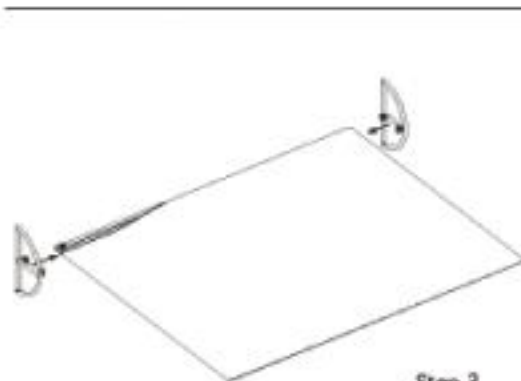
Step 3. Stretch fabric over frame.

- When working with fabric use gloves or clean hands and keep fabric away from dirty surfaces.

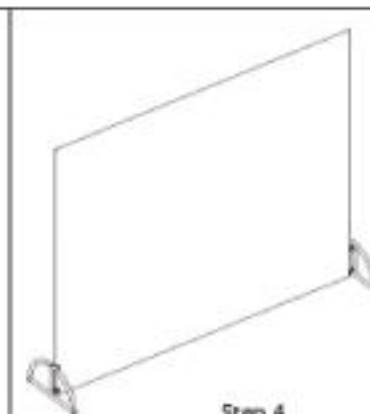
Pull fabric over frame and secure with zipper. Using the 3/16 hex key, tighten side supports to bottom of frame.

Step 4. Stand unit upright.

Adjust leveling feet on side supports if needed.



Step 3



Step 4