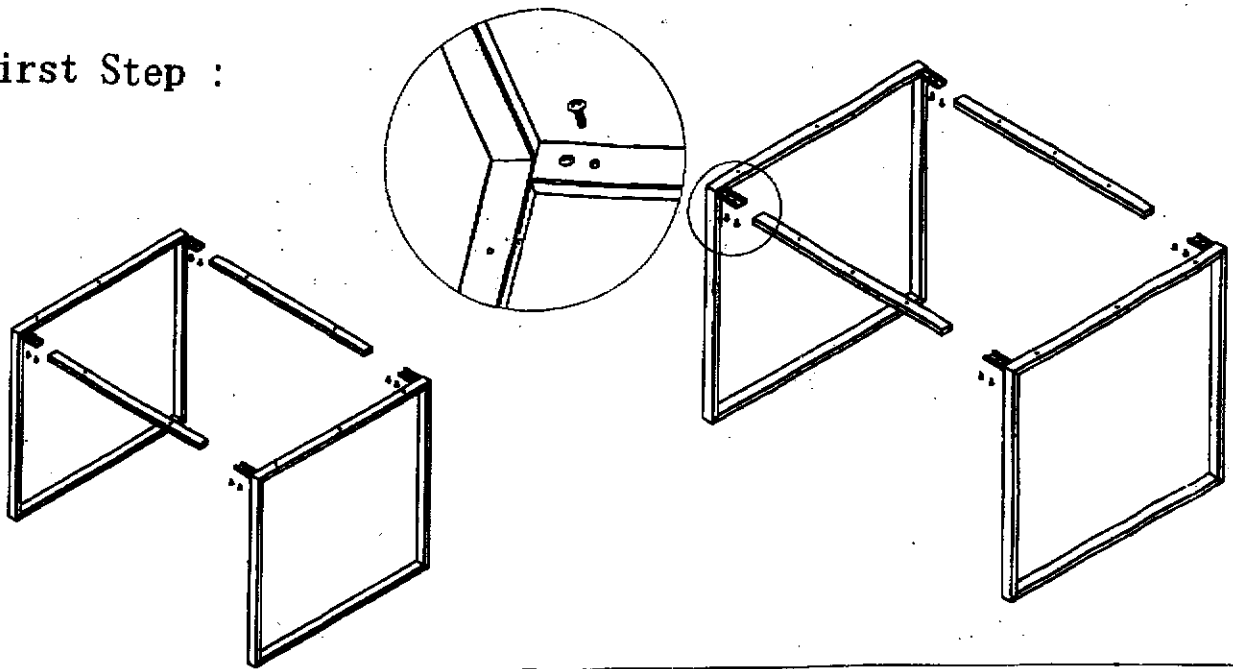


Assembly Instructions

First Step :



Second Step :

