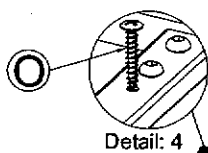
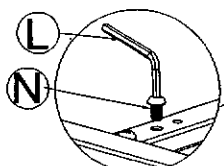


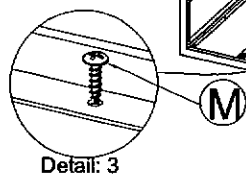
Detail: 1



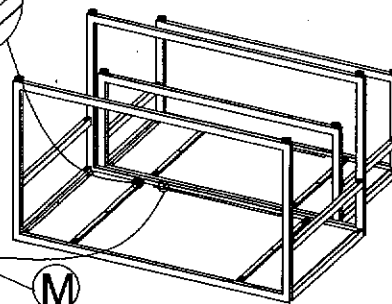
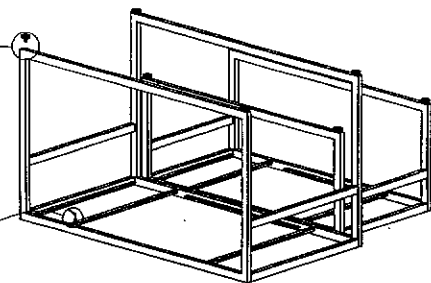
Detail: 4



Detail: 2



Detail: 3



Assemble step:

- 1): Install the Levelers "K" into the metal frame by hand as shown in Detail 1.
- 2): Install the Round Allen Head Screws "N" into the Metal Frame and Cross Bar Supports with the supplied Allen Key "L" as shown in Detail 2.
- 3): Install the 16mm Self Tapping Screws "M" into the Metal Frame and Wood Lock with a Phillips Head Screwdriver as shown in Detail 3.
- 4): Install the 25mm Self Tapping Screws "O" into the Metal Frame and Wood Lock with a Phillips Head Screwdriver as shown in Detail 4.

Item	Image	Description	QTY
A		1397mmX812.8mmX76.5mm Large metal frame	2
B		711.2mmX45mmX38.1mm Long cross bar	2
C		711.2mmX25.4mmX38.1mm Long cross bar	2
D		711.2mmX25.4mmX12.7mm Long cross bar	2
E		18mmX710mmX1344mm Large MDF melamine face	1
F		1219.2mmX508mmX75.5mm Small metal frame	2
G		558.8mmX45mmX38.1mm Short cross bar	2
H		558.8mmX25.4mmX38.1mm Short cross bar	2
I		558.8mmX25.4mmX12.7mm Short cross bar	2
J		18mmX557.5mmX1166.5mm Small MDF melamine face	1
K		Leveler Ø3/8"-16UNC	8
L		Allen Key	1
N		Round Allen Head Screw M6x10mm	48
M		Self Tapping Screw Ø4, Length 16MM	20
O		Self Tapping Screw Ø4, Length 25MM	12