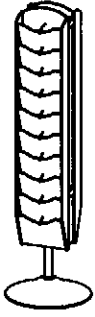


Floor Standing Wire Mesh Pocket Instructions

(20-pocket)



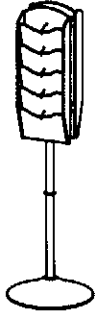
(30-pocket)



(40-pocket)



(10-pocket)



(15-pocket)



(20-pocket)



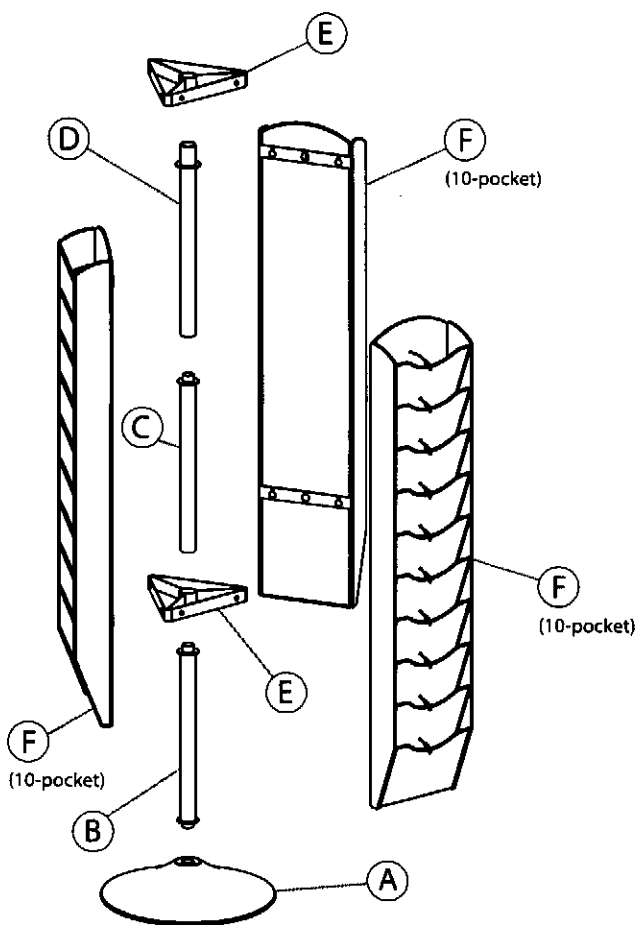
Parts

Description	QTY
A. Base	1
B. Bottom Post	1
C. Middle Post	1
D. Top Post	1
E. Hanger Brackets	
- Rectangular (2-sided)	3
- Triangular (3-sided)	3
- Square (4-sided)	3
F. Rack (5-pkt. or 10-pkt.)	2, 3, or 4

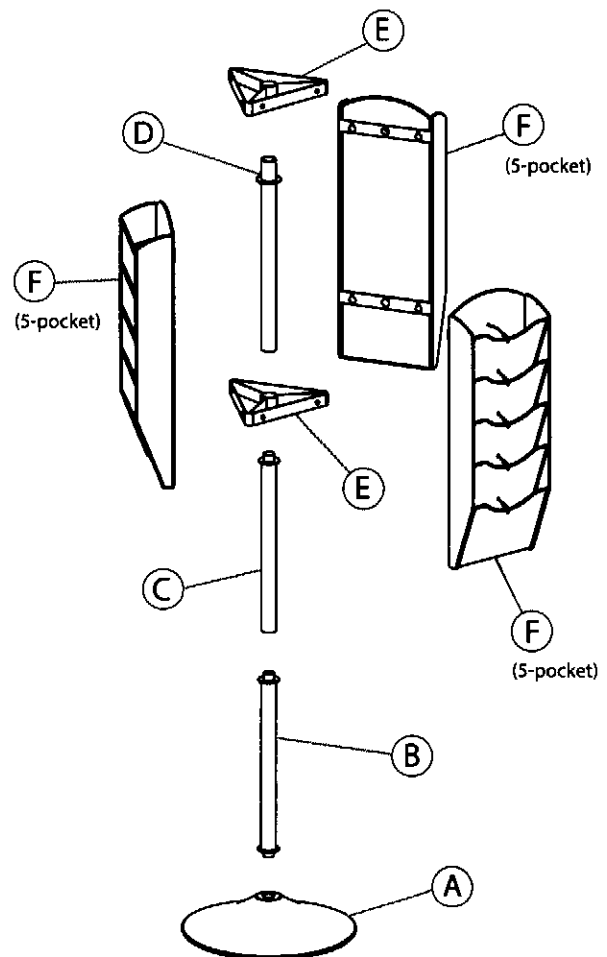
*NOTE: Rack quantity is dependent on the configuration purchased.

* NOTE: Each pocket should have a removable wire divider.

Assembly w/ 10-pkt. Racks



Assembly w/ 5-pkt. Racks

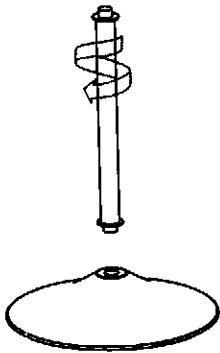


Floor Standing Wire Mesh Pocket Instructions

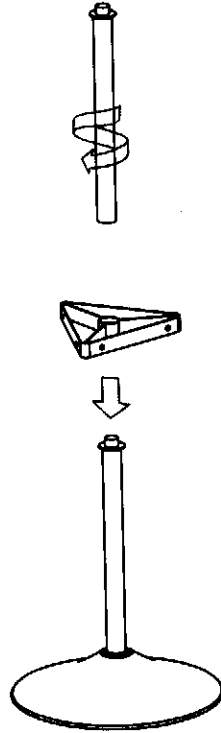
①

Assembly Shown For 10-pkt. Rack

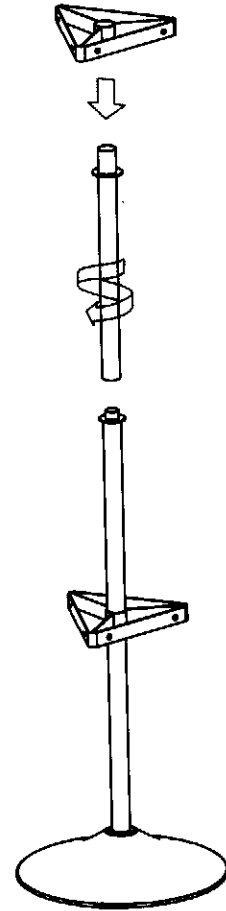
*NOTE: For the 5-pkt. rack, the hanger bracket must sit on the middle pole.



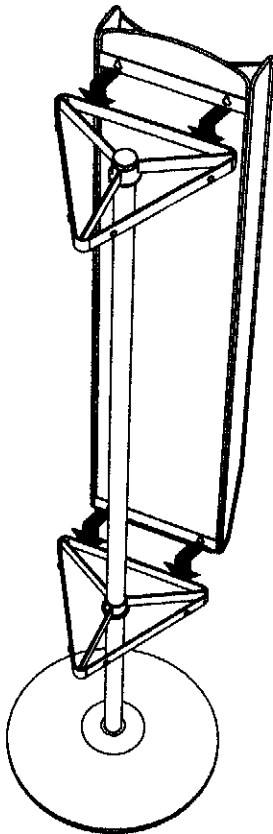
②



③



④



⑤

