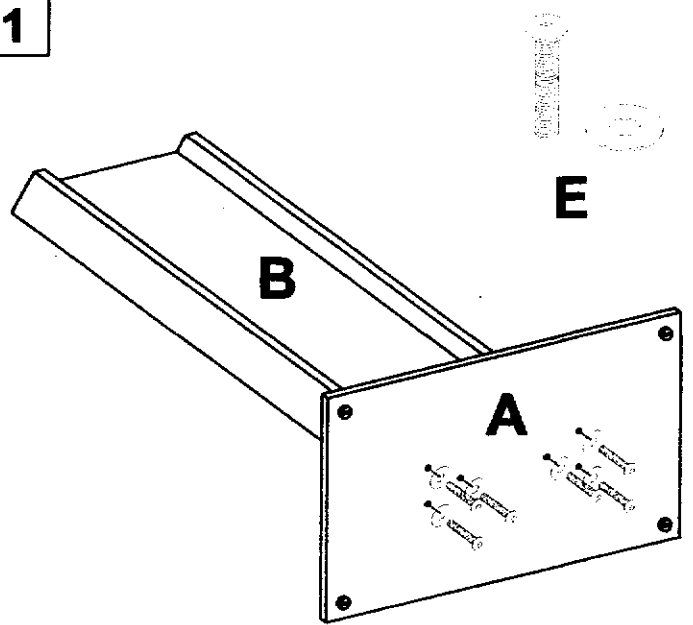


ASSEMBLY INSTRUCTION

1

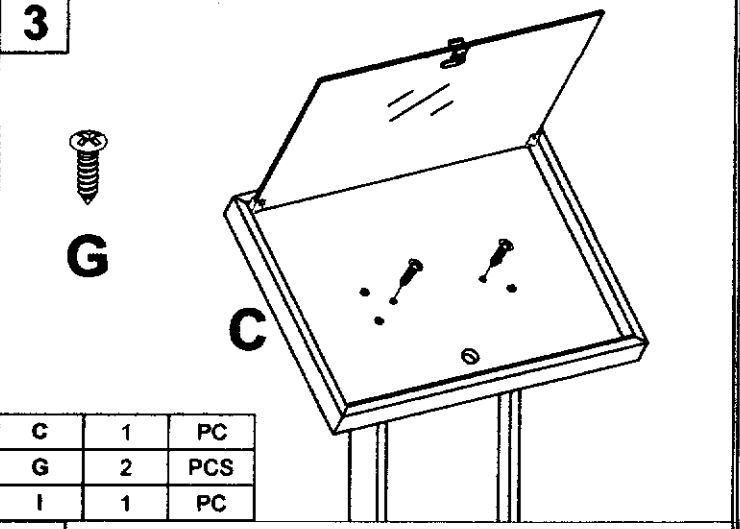
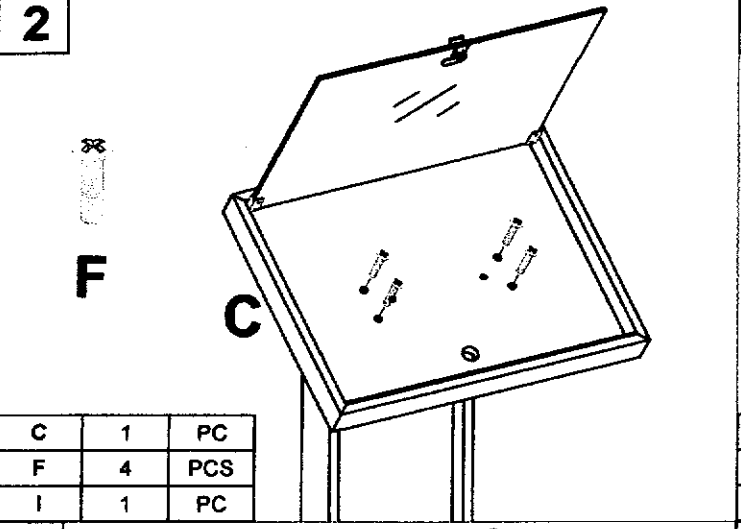
NO.	Parts	Qty	Unit
A	base	1	PC
B	support part	1	PC
C	upper frame	1	PC
D	fabric	1	PC
E	M6X50 screw+washer	6	PCS
F	M6X20 screw	4	PCS
G	M4X15 screw	2	PCS
H	spanner	1	PC
I	slot screw driver	1	PC



A	1	PC
B	1	PC
E	6	PCS
I	1	PC

2

3

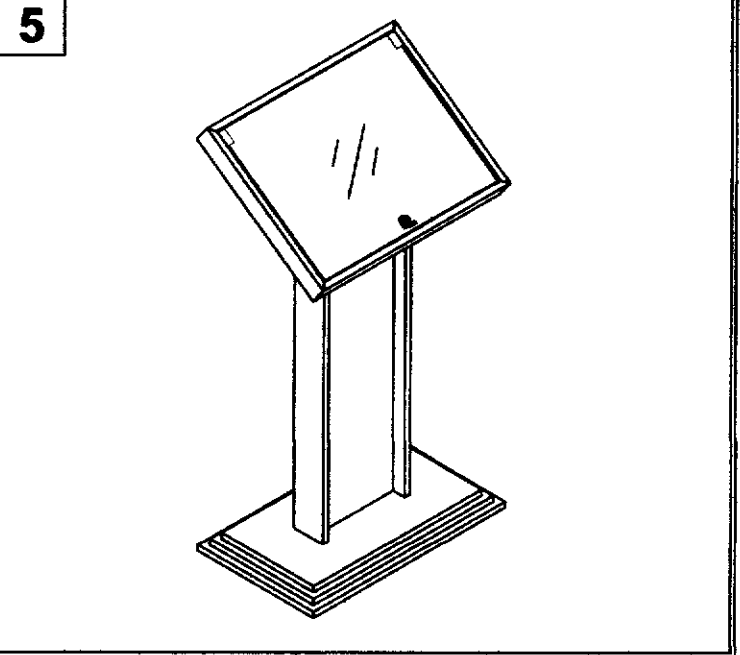
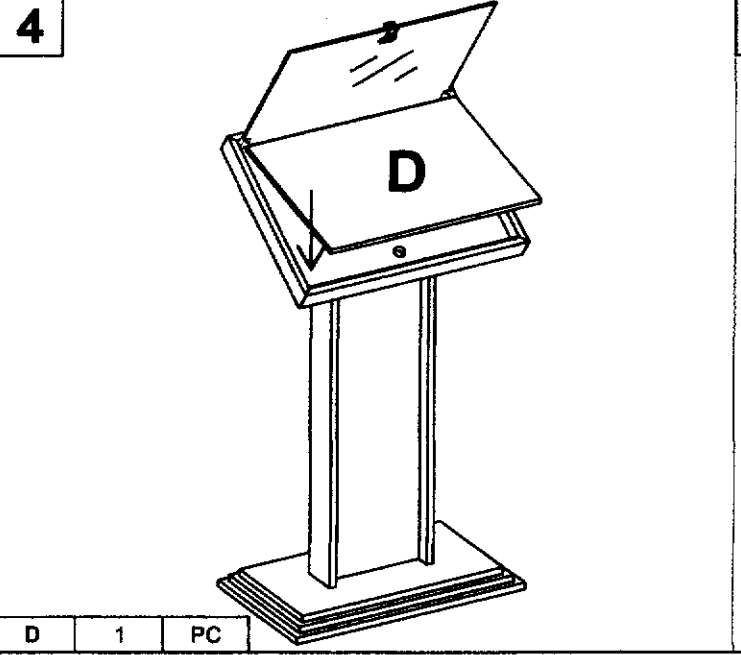


C	1	PC
F	4	PCS
I	1	PC

C	1	PC
G	2	PCS
I	1	PC

4

5



D	1	PC
---	---	----