

---

Thank you for choosing our product

**⚠ Warning**

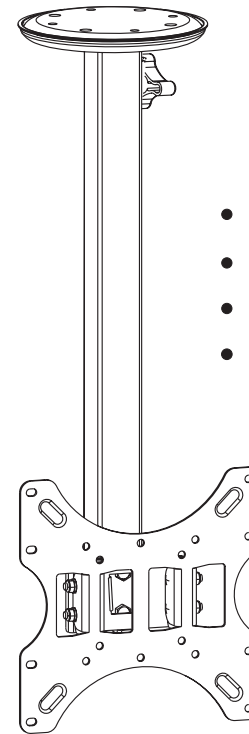
This product contains small items that could be a choking hazard if swallowed. Keep these items away from young children!

1. Make sure these instructions are read and completely understood before attempting installation. If you are unsure of any part of this installation, contact a professional installer for assistance.
2. The wall or mounting surface must be capable of supporting the combined weight of the mount and the display; otherwise the structure must be reinforced.
3. Safety gear and proper tools must be used. A minimum of two people are required for this installation. Failure to use safety gear can result in property damage, serious injury or death.

---

## INSTALLATION GUIDE

Item No.:MNTR108



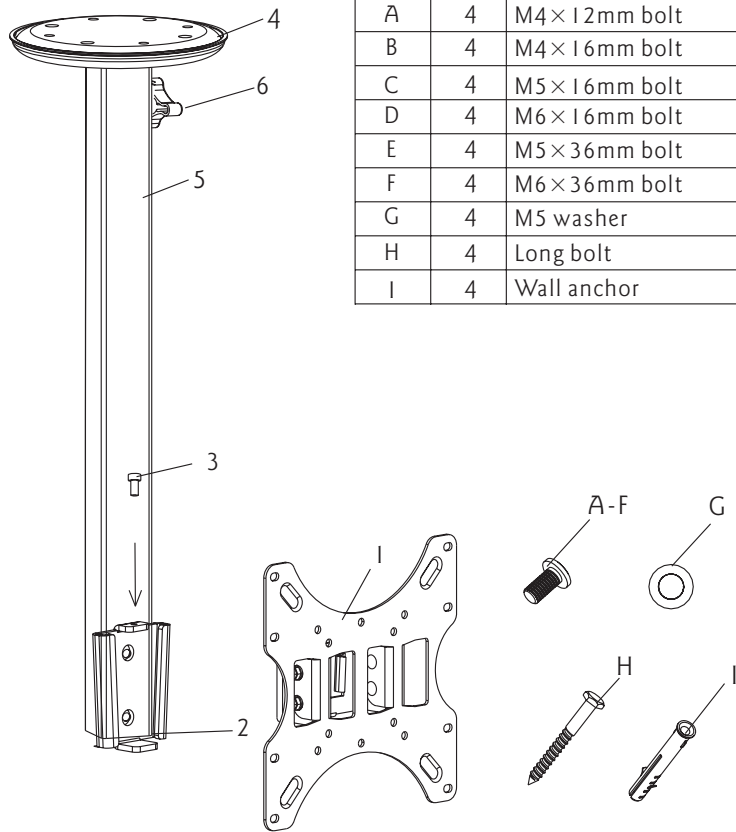
- TV Size Range: 10" ~42"
- Max load capacity: 35Kg/77lbs
- Easy installing
- Flip down and swivel for optimum viewing

**⚠ CAUTION**

This product was designed to be installed on wood stud walls and solid concrete walls. Before installing make sure the supporting surface will support the combined load of the equipment and hardware. Never exceed the Maximum Load Capacity. This product is intended for indoor use only. Use of this product outdoors could lead to product failure or personal injury.

**Hardware Kit:**

ID	Qty	Description
1	1	Adapter Plate
2	1	Wall Plate
3	1	Safety bolt
4	1	Ceiling plate
5	1	Extension column
6	1	Height tension knob
A	4	M4×12mm bolt
B	4	M4×16mm bolt
C	4	M5×16mm bolt
D	4	M6×16mm bolt
E	4	M5×36mm bolt
F	4	M6×36mm bolt
G	4	M5 washer
H	4	Long bolt
I	4	Wall anchor



**Part 4 Display Adjustments**

**Vertical Tilt**

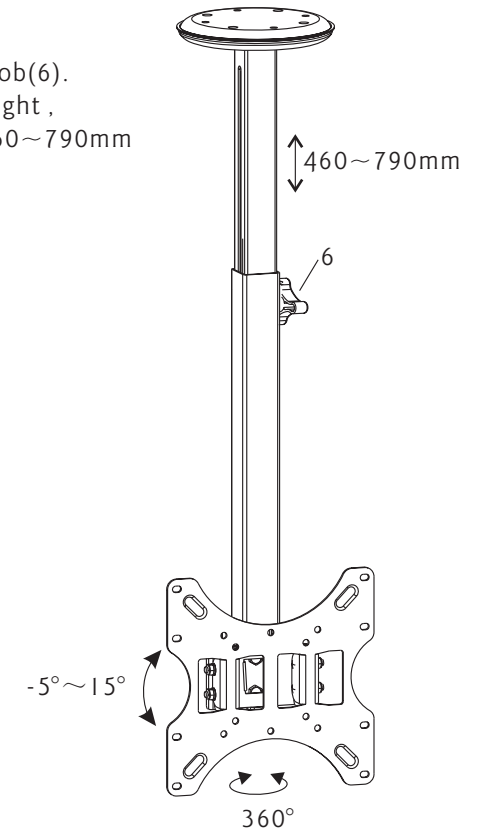
Adjust Adapter Plate(1) for desired tilt angle, Adjustable angle:  $-5^{\circ} \sim 15^{\circ}$ .

**Swivel**

Grasp edges of display and swivel into desired position, Swivel angle:  $0^{\circ} \sim 360^{\circ}$ .

**Vertical height adjustment**

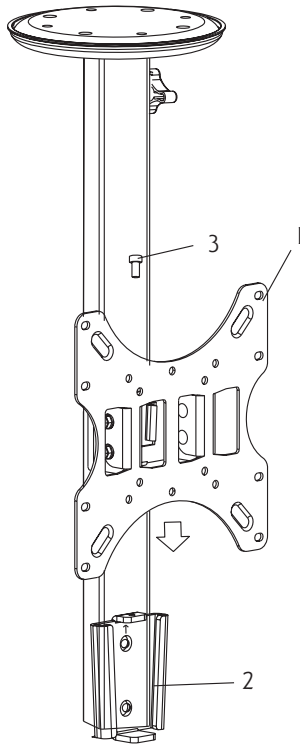
Lift display, loosen height tension knob(6). Adjust display for desired vertical height, and then re-tighten tension Knob. 460~790mm vertical height adjustment.



---

### Part 3-Attaching adapter bracket to wall plate

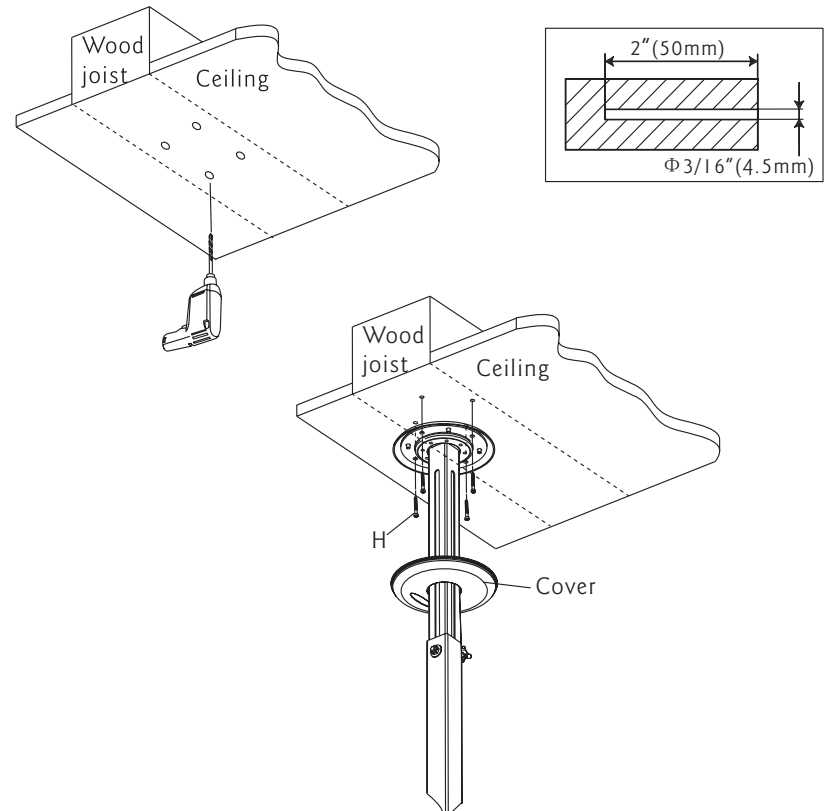
Attach adapter bracket(1) to wall plate(2) by sliding flanges of adapter bracket(2) into flanges of wall plate(1). Secure with two safety bolt(3). Tighten screws firmly. Do not overtighten.



---

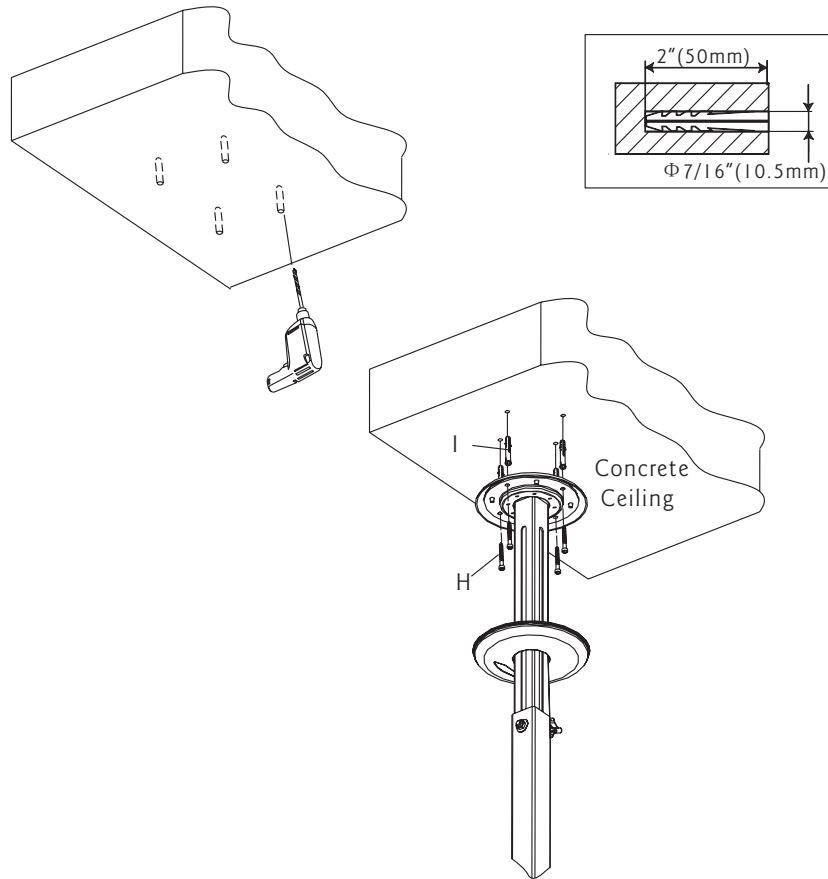
### Part 1a-Wood stud mounting

Use ceiling plate(4) as a template, make sure it is level, and mark four mounting holes on the wood studs. Drill four 3/16" (4.5mm) dia. holes 2" (50mm) deep. Level ceiling plate(4) and attach to wall with four long bolts (H). Tighten screws firmly. Do not overtighten.



## Part 1b-Concrete wall mounting

Level ceiling plate(4) and use wall as a template to mark four holes. Drill four 7/16" (10.5mm) dia. holes 2" (50mm) deep. Insert four wall anchors(I) into holes and secure wall plate with four long bolts(H). Tighten screws firmly. Do not overtighten.



## Part 2-Attaching adapter bracket to screen

Center adapter bracket flat on back of the screen and align the four mounting holes. Select screws(A-F). Attach adapter bracket to screen using four selected screws and four washers(G). Tighten screws firmly. Do not overtighten.

