

Thank you for choosing our product

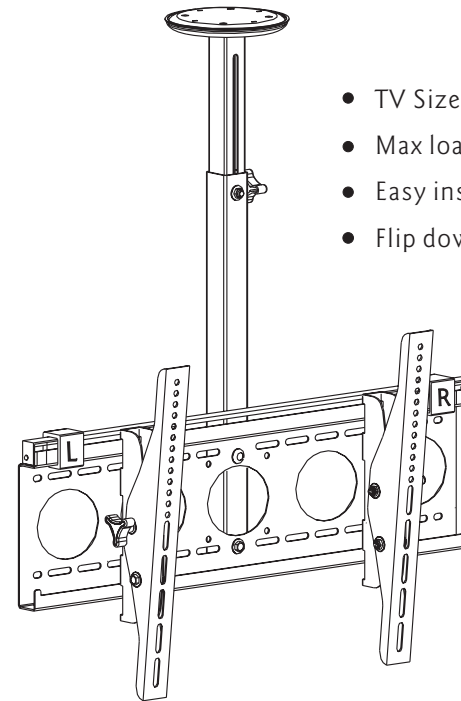
**Warning**

This product contains small items that could be a choking hazard if swallowed. Keep these items away from young children!

1. Make sure these instructions are read and completely understood before attempting installation. If you are unsure of any part of this installation, contact a professional installer for assistance.
2. The wall or mounting surface must be capable of supporting the combined weight of the mount and the display; otherwise the structure must be reinforced.
3. Safety gear and proper tools must be used. A minimum of two people are required for this installation. Failure to use safety gear can result in property damage, serious injury or death.

## INSTALLATION GUIDE

Item No.: MNTR105A

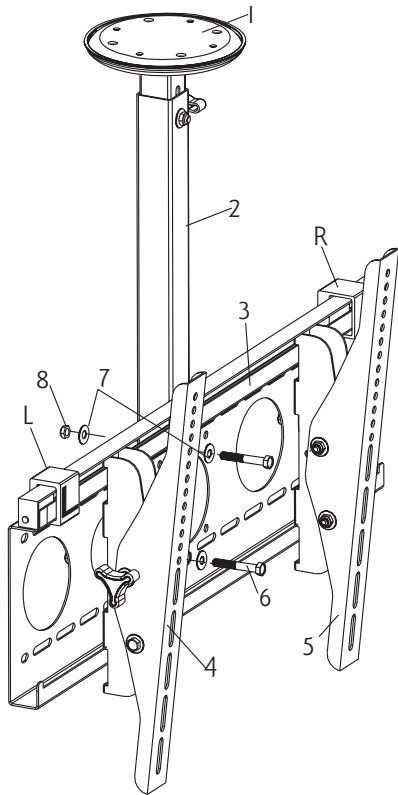


- TV Size Range: 36 - 65" "
- Max load capacity: 75Kg/165lbs
- Easy installing
- Flip down and swivel for optimum viewing

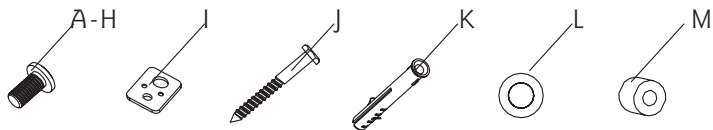
**CAUTION**

This product was designed to be installed on wood stud walls and solid concrete walls. Before installing make sure the supporting surface will support the combined load of the equipment and hardware. Never exceed the Maximum Load Capacity. This product is intended for indoor use only. Use of this product outdoors could lead to product failure or personal injury.

**Hardware Kit:**



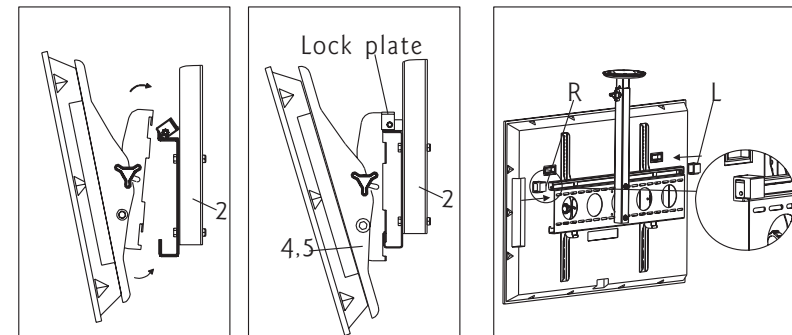
ID	Qty	Description
1	1	Ceiling plate
2	1	Extension column
3	1	Big plate
4	1	Left bracket
5	1	Right bracket
6	2	M8×55mm bolt
7	4	M8 washer
8	2	M8 nut
L	1	Left safety lock
R	1	Right safety lock
A	4	M4×12mm bolt
B	4	M4×16mm bolt
C	4	M5×16mm bolt
D	4	M6×16mm bolt
E	4	M8×16mm bolt
F	4	M5×36mm bolt
G	4	M6×36mm bolt
H	4	M8×36mm bolt
I	4	Square washer
J	4	Long bolt
K	4	Wall anchor
L	4	Long bolt washer
M	4	Spacer



**Part 3-Mounting the flat panel screen**

Hook the top of brackets(4,5) onto the top flange of wall plate(3). swing the screen down. Then fasten the locking bar to the upside of bracket.

**NOTE:** Always use an assistant or mechanical lifting equipment to safely lift and position heavy equipment.



**Display Adjustments**

**Vertical Tilt**

Use knob to adjust the tilt tension. Adjustable angle: -5°~15°.

**Swivel**

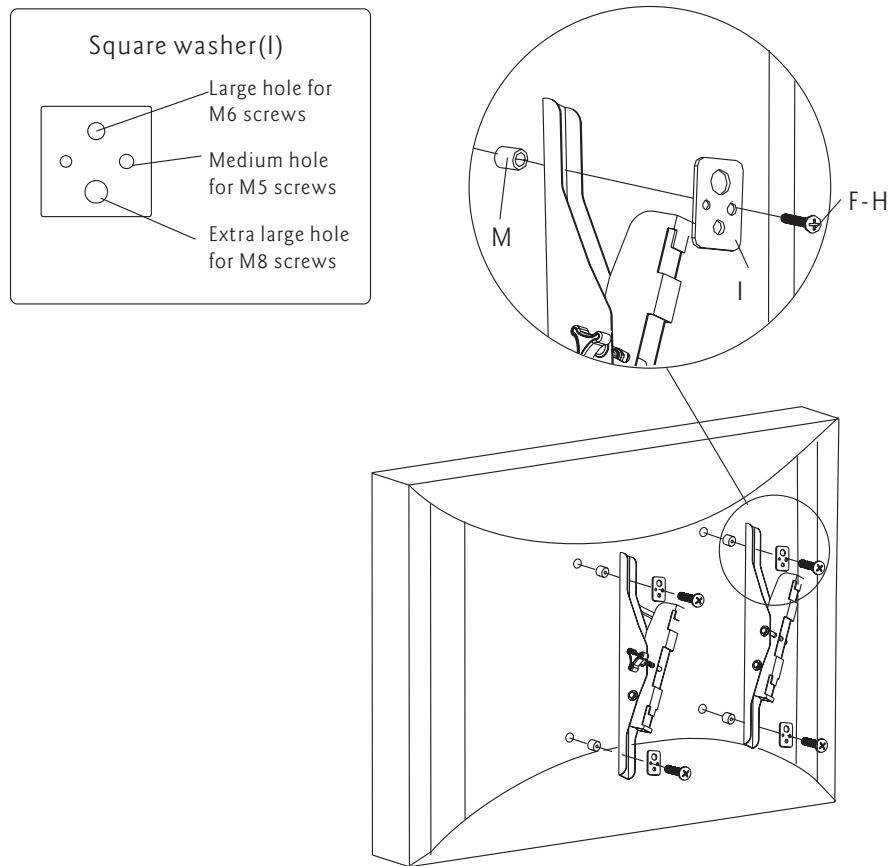
Grasp edges of display and swivel into desired position, Swivel angle: 0°~360°.

**Vertical height adjustment**

Lift display ,loosen height tension knob. Adjust display for desired height, then re-tighten the Knob. 0~330mm vertical height adjustment.

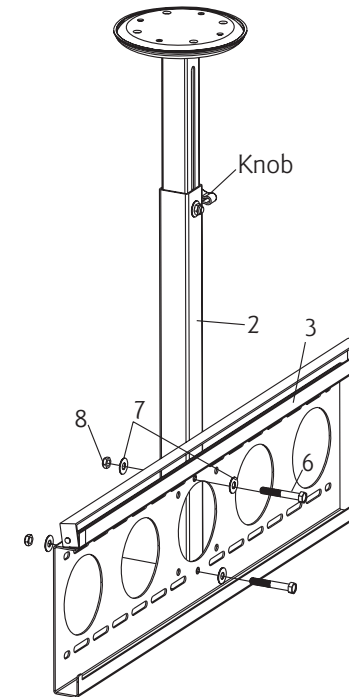
### Part 3b-Attaching brackets to screen with recessed back

Center brackets vertically on back of screen. Select the medium(F), large(G) or extra large(H) screws. Attach brackets to screen using four selected screws, four square washers(I) and four spacers(M) at the top and bottom of each bracket. Tighten screws firmly. Do not overtighten.



### Part 1: Attach Big plate to Extension column

First, to stretch the Extension Column(2) out to desired or fullest length. Then fix the Big Plate(3) to the Extension Column(2) with 2 long bolts(6), washers(7) and nut(8).

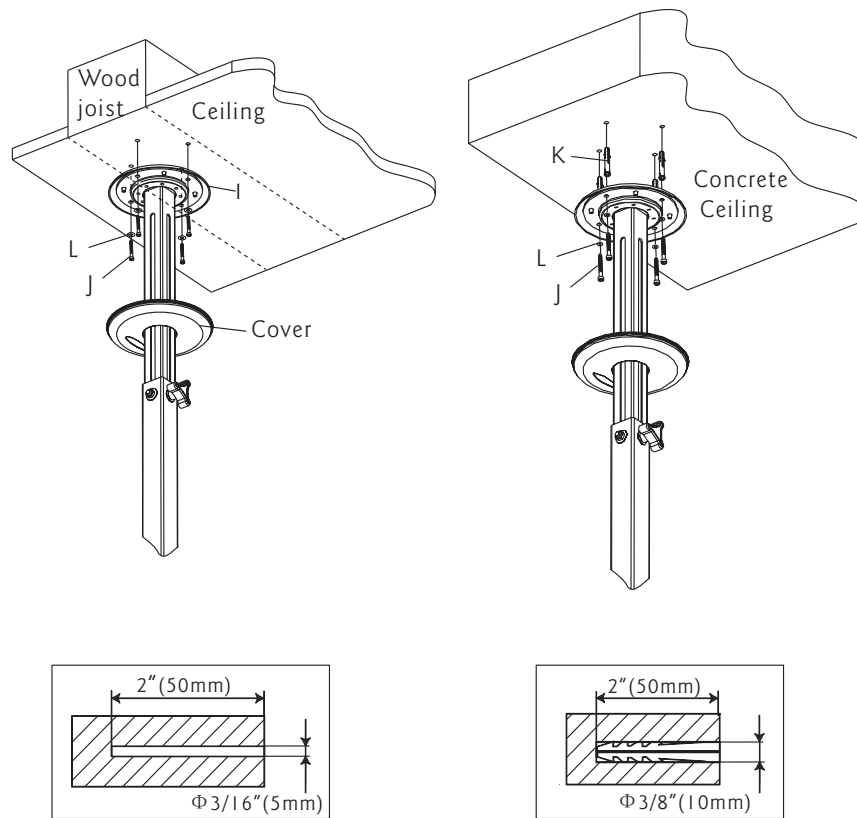


### Part 1a-Wood stud mounting

Use ceiling plate(1) as a template, make sure it is level, and mark four mounting holes on the wood studs. Drill four 3/16" (5mm) dia. holes 2" (50mm) deep. Level ceiling plate(1) and attach to wall with four long bolts (J) and washers(L). Tighten screws firmly. Do not overtighten.

### Part 1b-Concrete wall mounting

Level ceiling plate (I) and use wall as a template to mark four holes. Drill four 3/8" (10mm) dia. holes 2" (50mm) deep. Insert four wall anchors (L) into holes and secure wall plate with four long bolts (H). Tighten screws firmly. Do not overtighten.



### Part 3a-Attaching Brackets To Screen With Flat Back

Center brackets vertically on back of screen. Select the small (A or B), medium (C), large (D) or extra large (E) screws. Attach brackets to screen using four selected screws and four square washers (I) at the top and bottom of each bracket. Tighten screws firmly. Do not overtighten.

