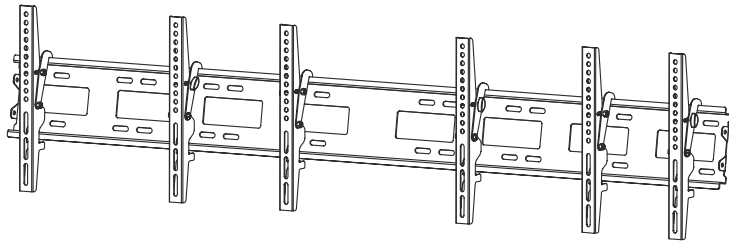


# DISPLAYS2GO

## MNBD2642S3



14-32"  
/36-81cm

Max  
90kg  
[198lbs]



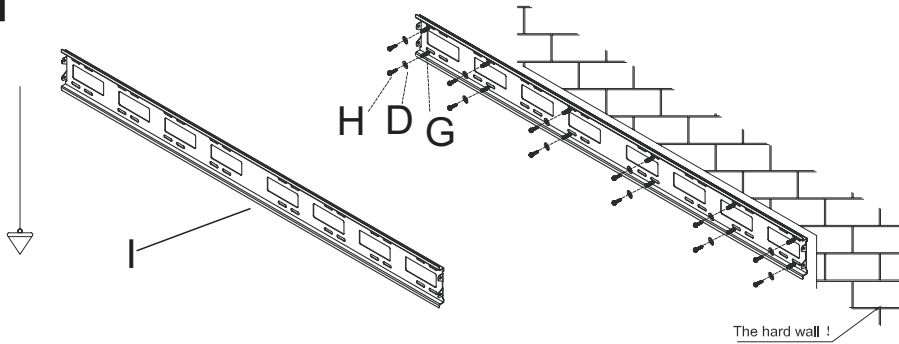
Max 400\*300 Landscape



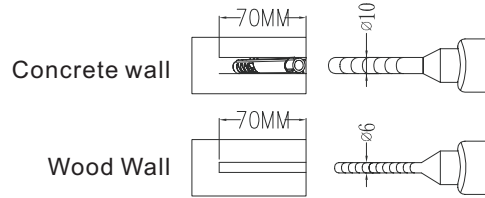
I	J	J
1PCS	3PCS	3PCS

A	B	C	D	E	F
M8X15 12PCS	M6X15 12PCS	M5X15 12PCS	M8 12PCS	M6 12PCS	M5 12PCS
G	H				
Ø10X50 12PCS	M8X50 12PCS				

# 1

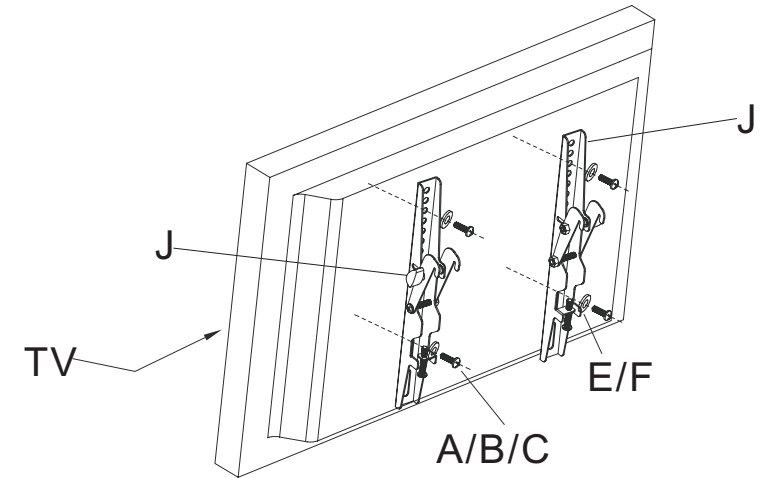


1. Drawing vertical line on the wall and making marks for drilling holes on the wall as per drawing.
2. Drill 70mm-deeped holes with  $\varnothing 10$  Diameter on the marks.
3. Fix subassembly H on the wall With accessories F and G.



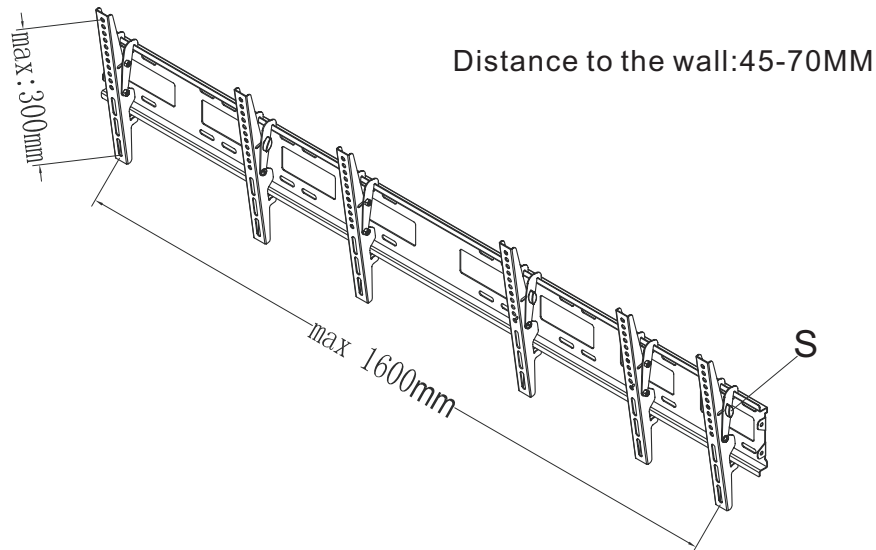
# 2

Fix subassembly I on the TV with proper bolts A/B/C and D/E.

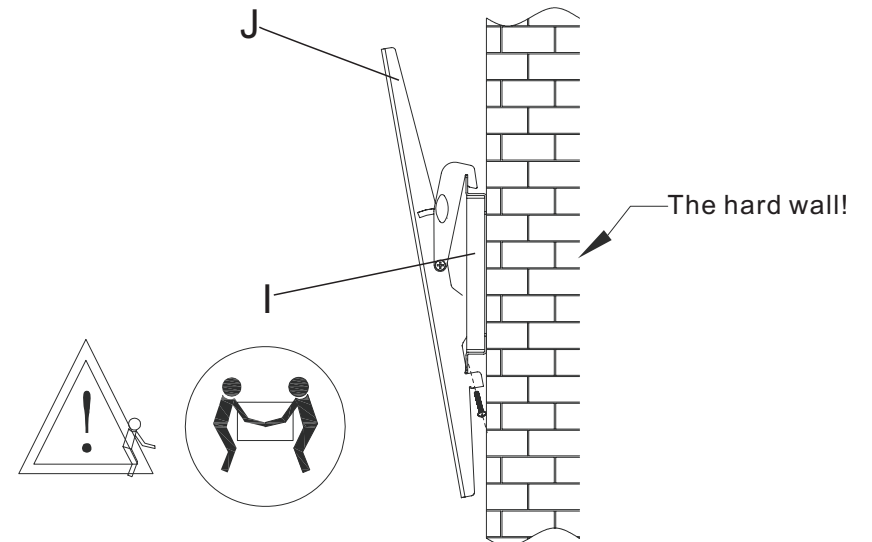


# 3

Hook the TV on subassembly H. Screw accessory S into I to make H and I stable. Adjust the TV to the desired angle.

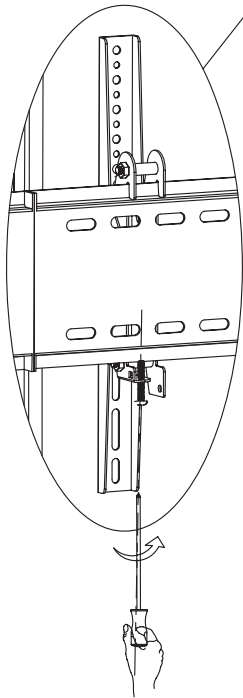
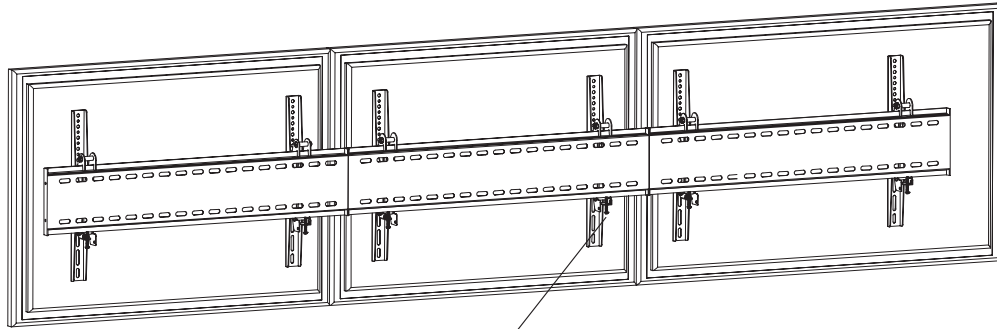


The viewing angle of TV can be adjusted by loosen or tighten S



4

Tighten safety screw on each bracket to lock screen in place.



Screw Locking