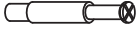




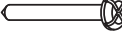


ASSEMBLY INSTRUCTIONS

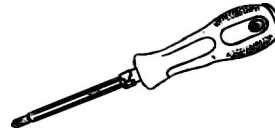
MBTBL - TABLE WITH SHELF TOPPER AND WHEELS

Attention: Before starting assembling, please prepare a soft surface work area on the floor. Carefully remove all hardware from packaging and place the hardware parts on the soft work area where they will not come in contact with the wood boards. **2 PERSON RECOMMENDED.**

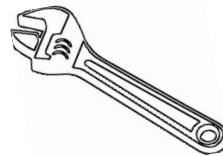
HARDWARE			
A	Cam Post	26pcs	
B	Dowel	17pcs	
C	Cam Lock	26pcs	
D	M6X45 Socket Head Screw	4pcs	
E	Caster	4pcs	
F	Wood Screw	4pcs	

Tools needed:

Phillips Screw Driver

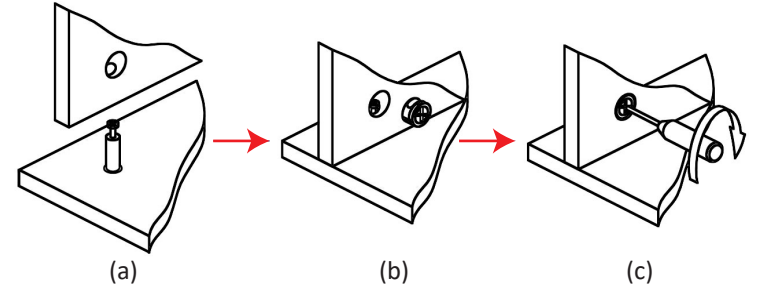


Wrench

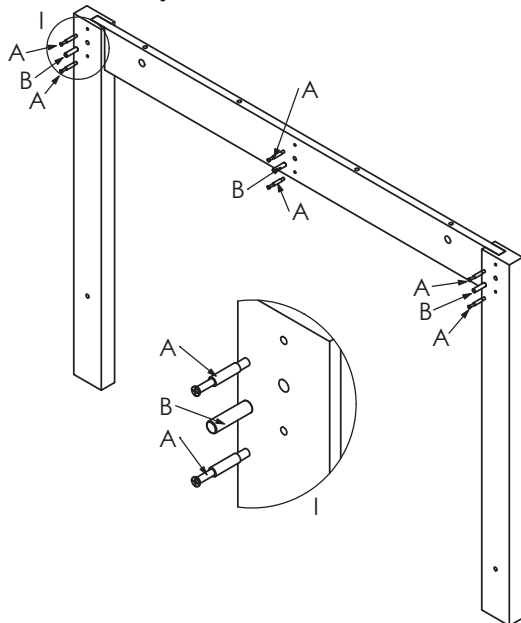


How to join 2 boards with CAM lock:

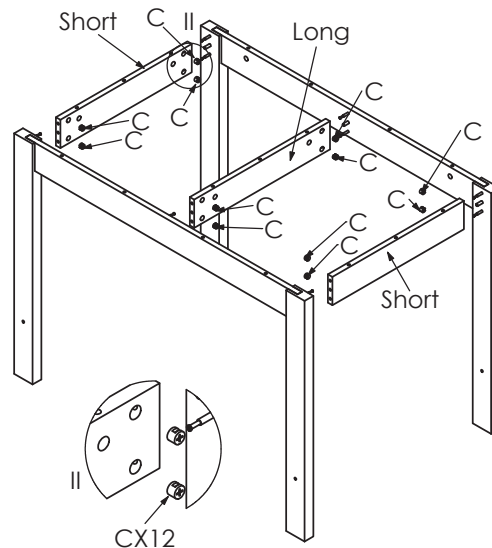
- Insert cam post into flat surface of a board. Fit the hole in the edge of the joining board over the cam post.
- Each cam lock has an open section on the back. Insert the cam lock into the cam lock holes. Be sure the opening fits over the head of the cam post.
- Use a screw driver to turn the cam lock clockwise so it locks onto the head of the cam post. Do not over tighten.



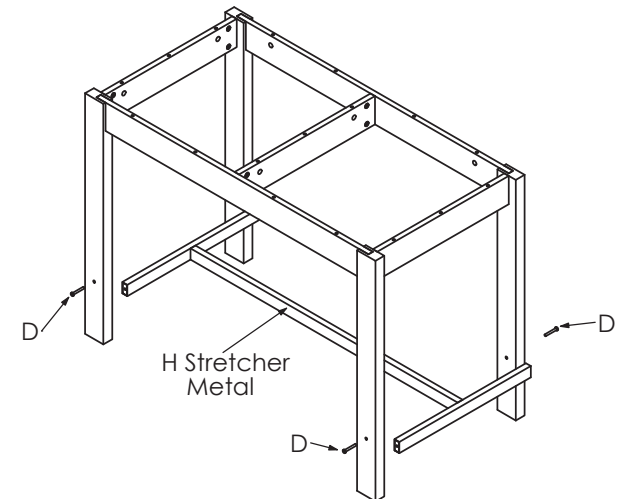
1. Slide 1 box apron into pre-cut slots in the legs. Insert 6 cam posts (A) and 3 dowels (B) into the leg assembly as shown below. Assemble the 2nd leg the same way.



2. Connect the 2 assembled legs with 2 short boards at both sides and 1 long board in the middle. Insert 12 cam locks (C) into the cam lock holes and secure them with screw driver.



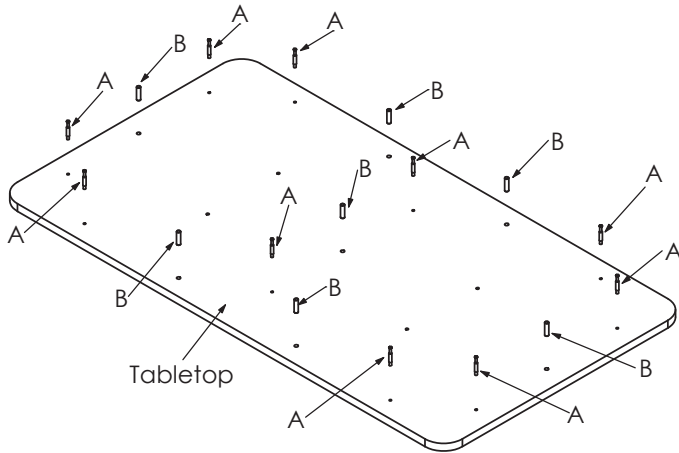
3. Position the "H" stretcher in place by aligning the pre-drilled holes in the legs and treaded holes in the "H" stretcher. Securely fix the stretcher by screwing in 4 socket head screws (D) as shown.



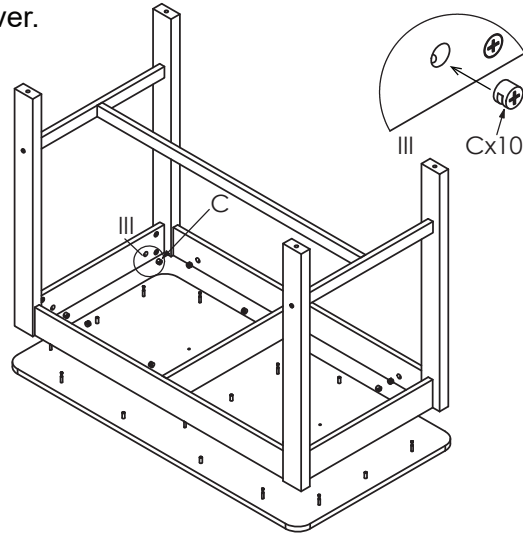
ASSEMBLY INSTRUCTIONS

MBTBL - TABLE WITH SHELF TOPPER AND WHEELS

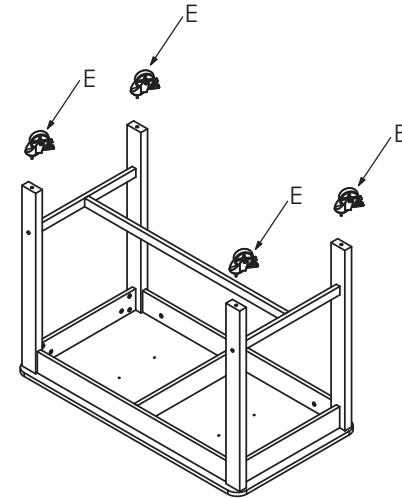
4. Place the tabletop panel on a soft surface, and insert 10 cam posts (A) and 7 dowels (B) into the pre-drilled holes as shown.



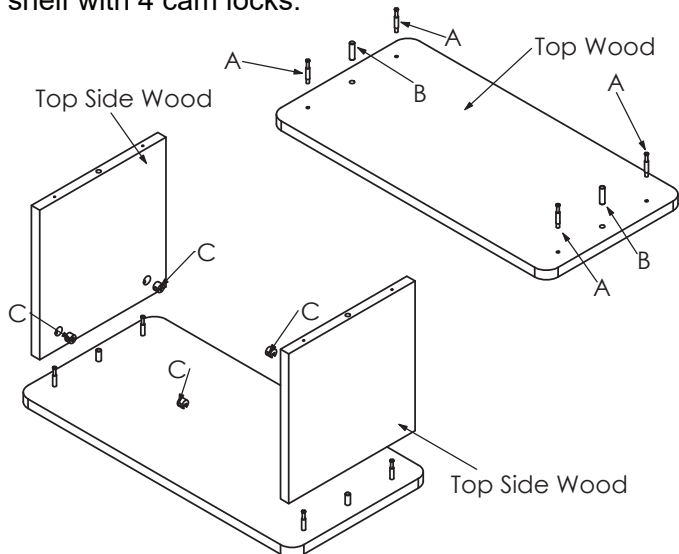
5. Flip the leg assembly and attach it to the tabletop by inserting all the cam posts and dowels into the corresponding holes. Insert 10 cam locks and tighten them with the screw driver.



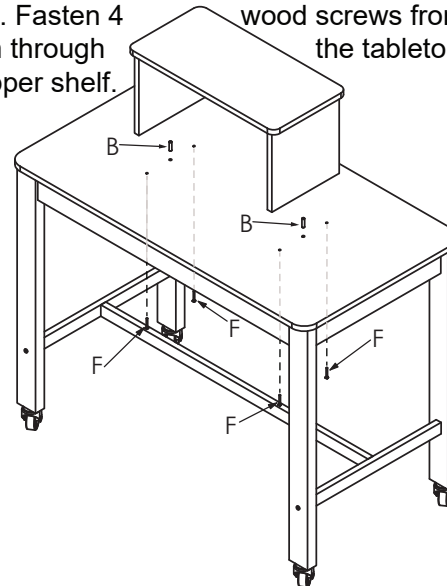
6. Secure 4 casters (E) on 4 legs by screwing them into the threaded holes in the legs. Make sure all casters are tightened.



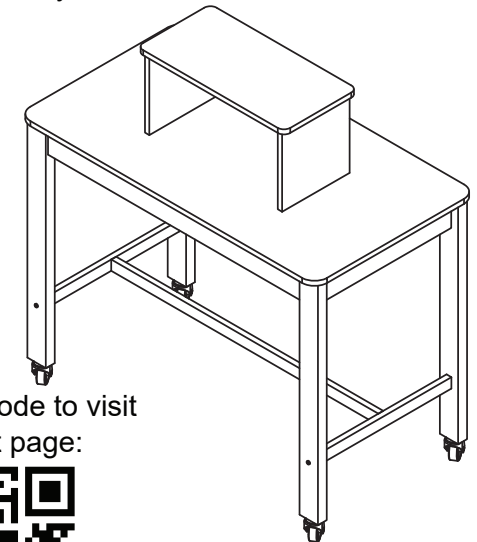
7. Place the topper shelf panel on the soft surface. Insert 4 cam posts (A) and 2 dowels into the pre-drilled holes. Assemble 2 side panels with the topper shelf with 4 cam locks.



8. Insert 2 dowels (B) into the holes in the tabletop. Flip the topper shelf assembly and place it on the tabletop by inserting both dowels into the side panels. Fasten 4 wood screws from the bottom through the tabletop to fix the topper shelf.



9. The assembly is finished.



Scan QR code to visit the product page:

