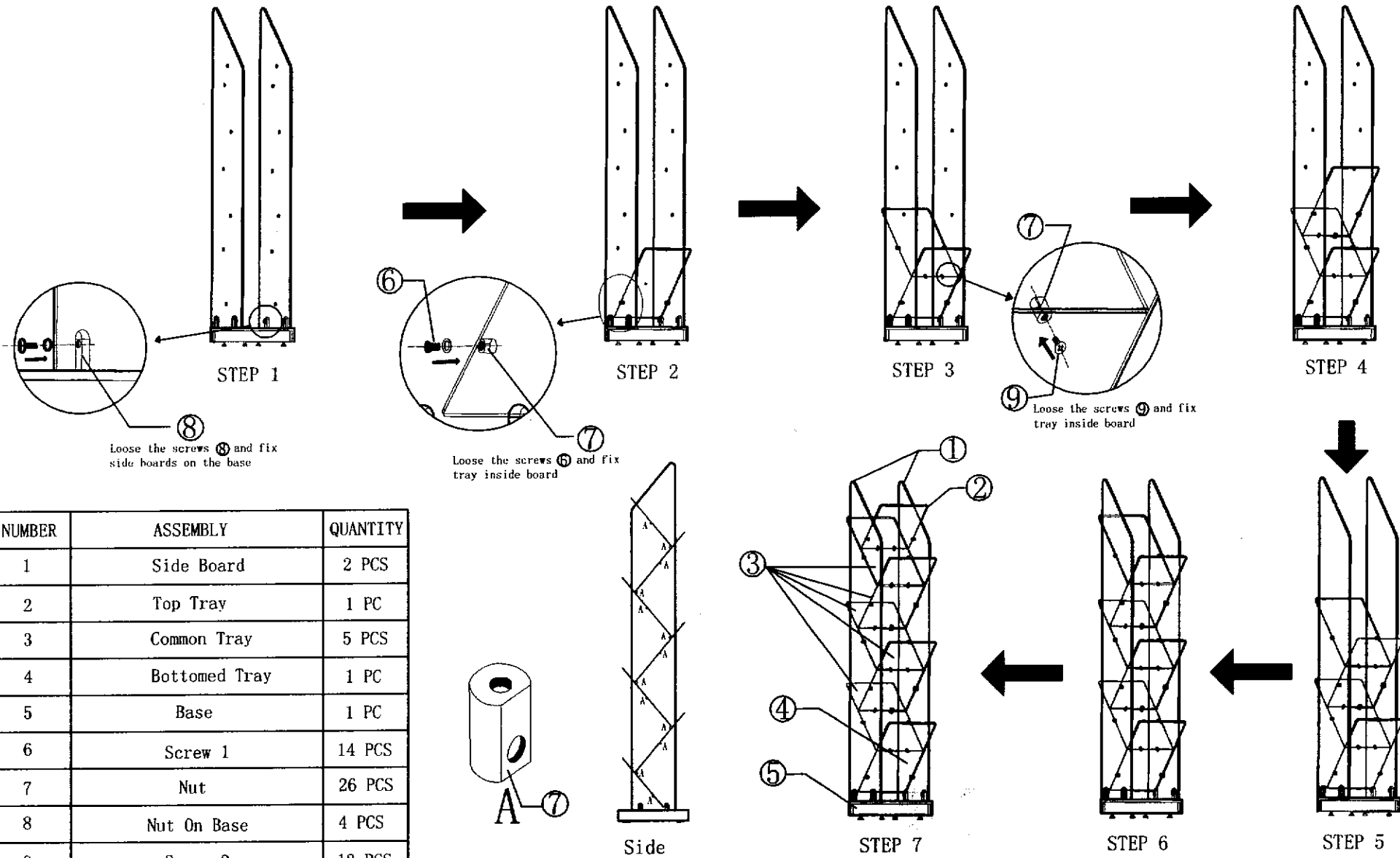


# MAGAZRDCL Assembly Intruction



NUMBER	ASSEMBLY	QUANTITY
1	Side Board	2 PCS
2	Top Tray	1 PC
3	Common Tray	5 PCS
4	Bottomed Tray	1 PC
5	Base	1 PC
6	Screw 1	14 PCS
7	Nut	26 PCS
8	Nut On Base	4 PCS
9	Screw 2	12 PCS