

Questions or Feedback Call Us at:

800-323-4656



Stand Up Desk Assembly Guide
for 48" & 40" Wide Desks

Table of Contents

Table of Contents	2
Parts List & Hardware	3
<u>Assembly and Installation</u>	
Attach casters to the frame	4
Attach shelf cross bars to the frame	5
Attach cross bar to the frame	6
Attach lower shelf to the frame	7
Shelf height hole pattern guide	8
Attach middle cross bar to the frame	9
Flip upright then attach the keyboard shelf	10
Attach the top monitor shelf	11

Tools Reccomended

- Phillips Screwdriver

ATTENTION!

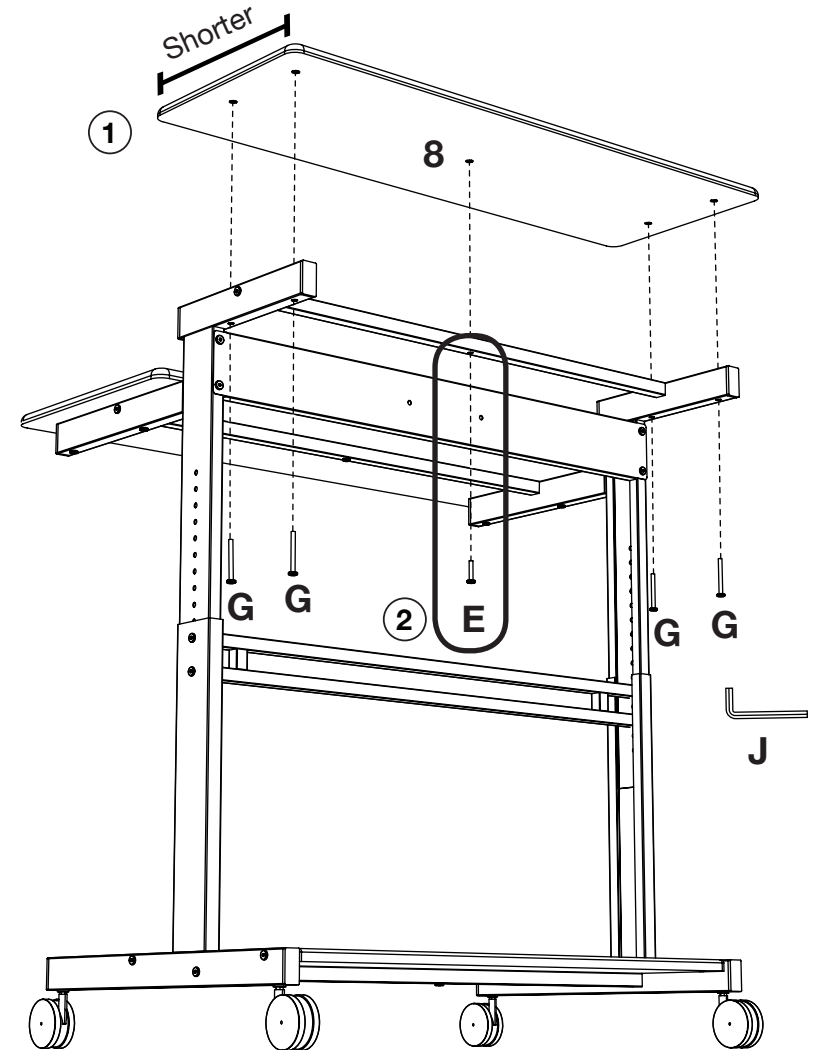
Do not fully tighten screws until completely assembled

WE ARE GIVING YOU A STANDING OVATION

You did it! You took the first step towards healthier living by purchasing our stand up desk. We couldn't be happier to have you joining the millions of people who were tired of sitting around and ready to take a stand for a healthier life.

This desk was build with you in mind and every detail was carefully crafted. The following assembly guide is best accomplished with two people. If you have any questions or concerns please give us a call at: **1-800-323-4656** or email: **customerservice@luxorfurn.com**

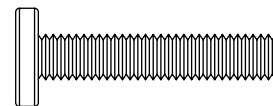
8 Attach the top monitor shelf



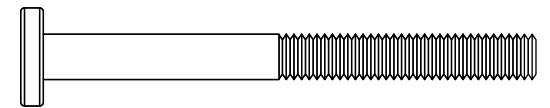
Gather Parts:

8

&

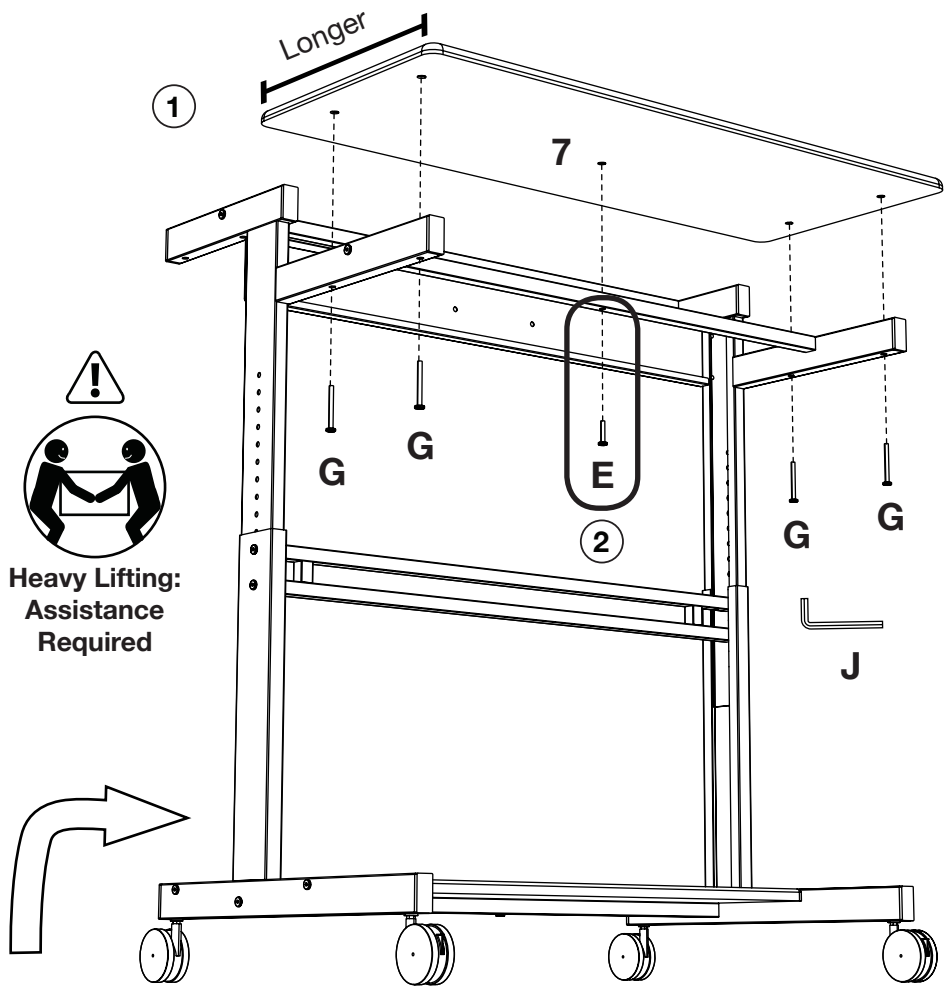


E x1
M6x32



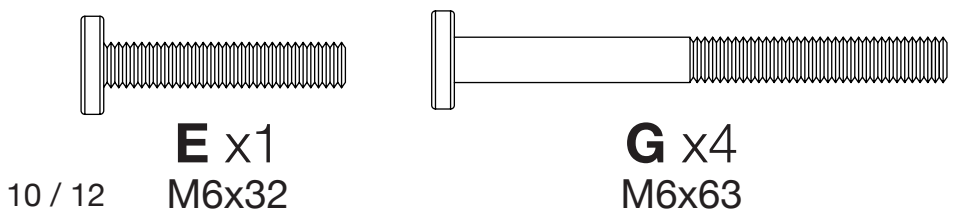
G x4
M6x63

7 Flip upright then attach the keyboard shelf

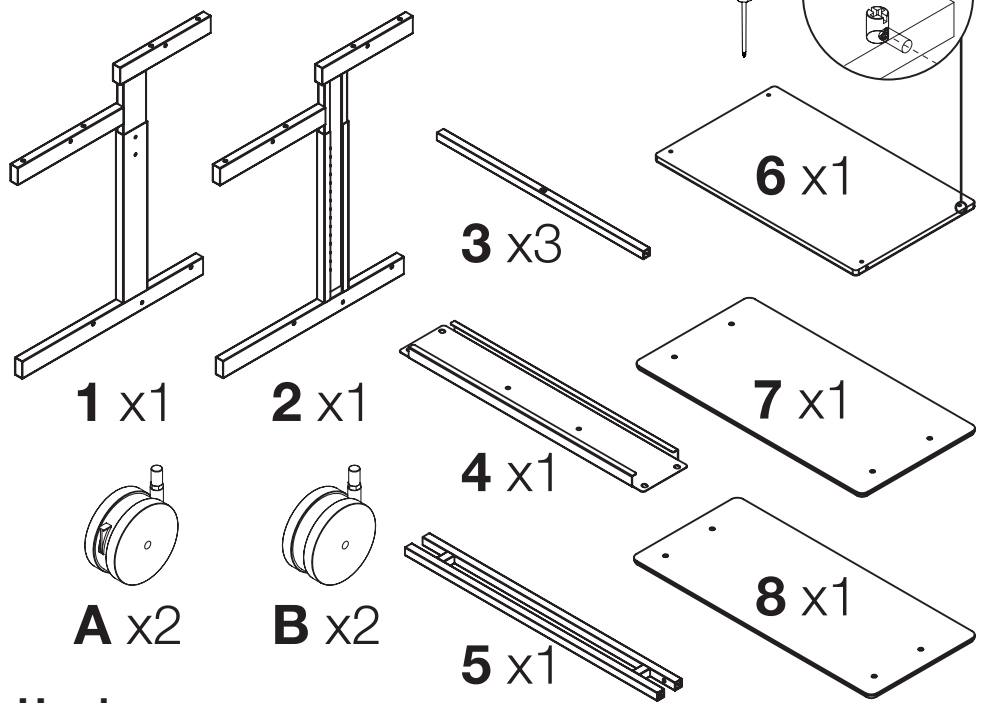


Gather Parts:
7

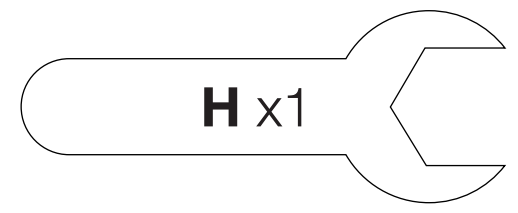
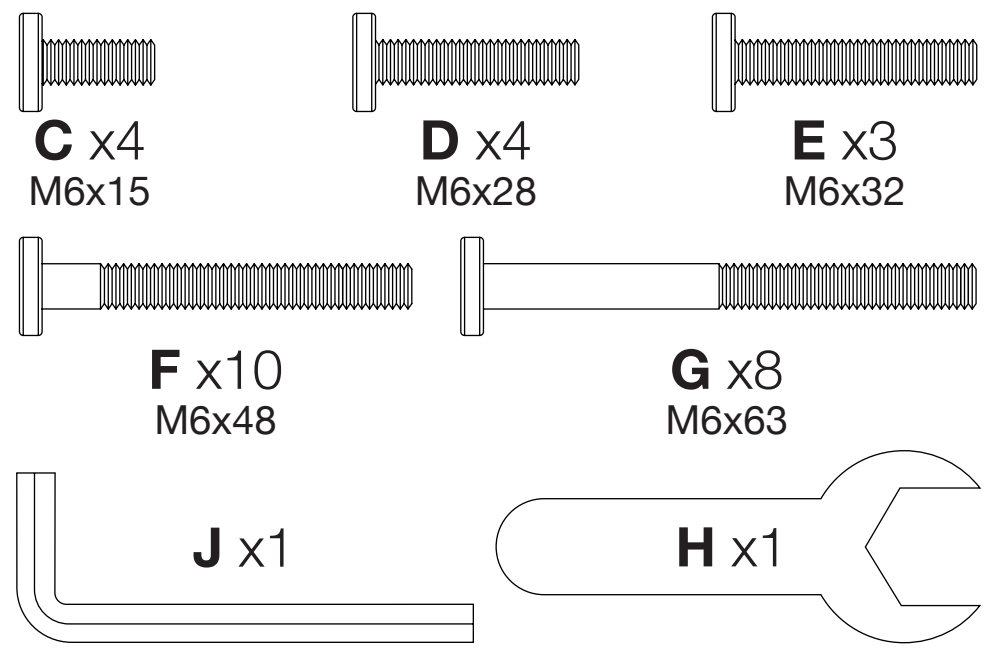
&



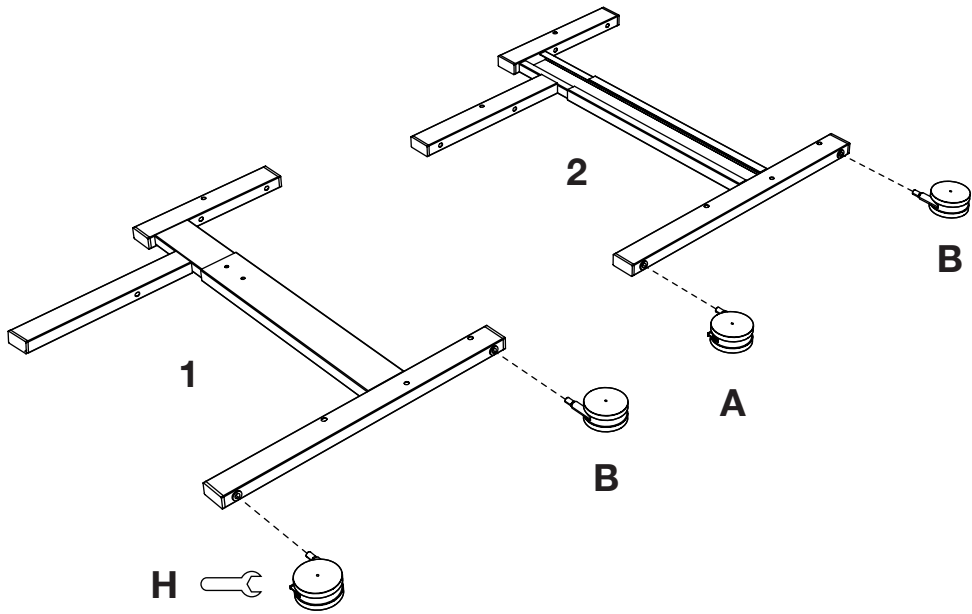
Parts List



Hardware (Actual Size)

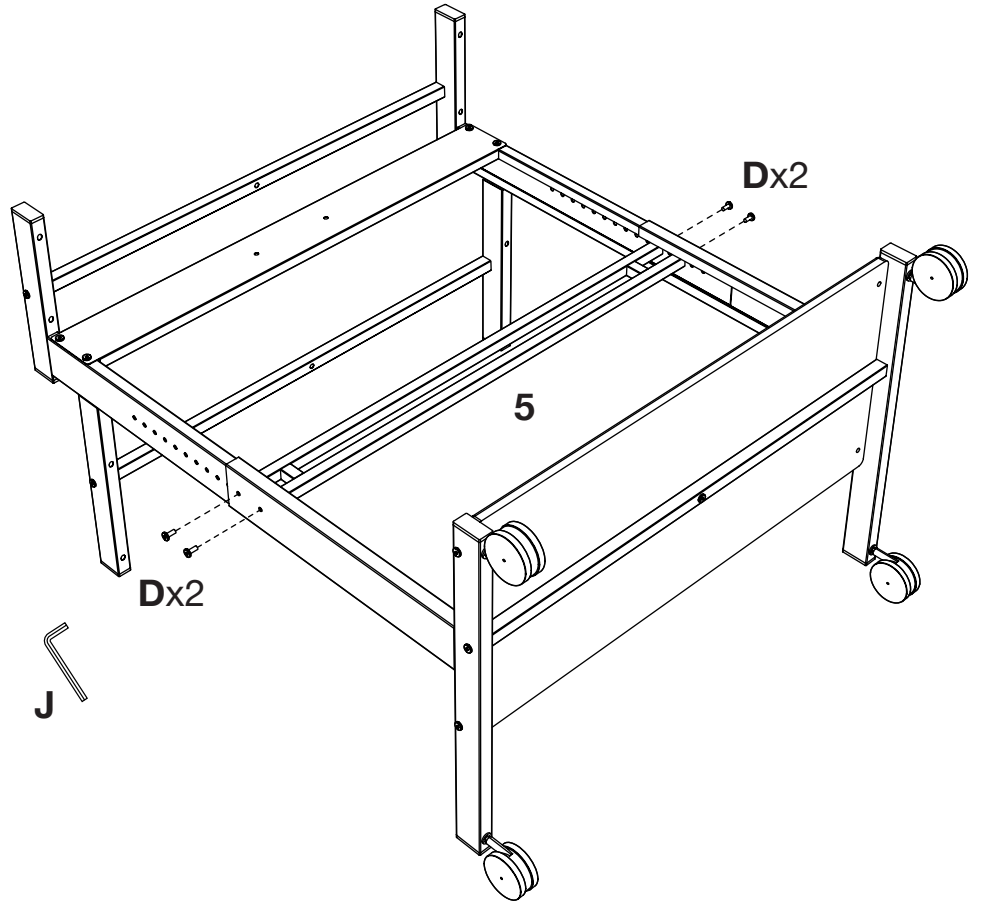


1 Attach casters to the frame



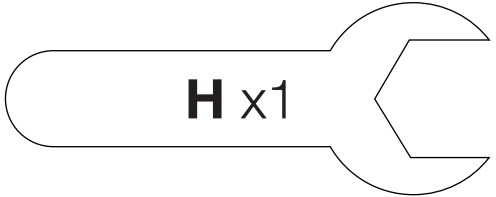
Tighten casters fully with included wrench

6 Attach middle cross bar to the frame



Gather Parts:
1, 2, A, B

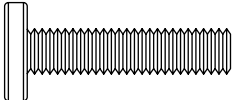
&



H x1

Gather Parts:
5

&

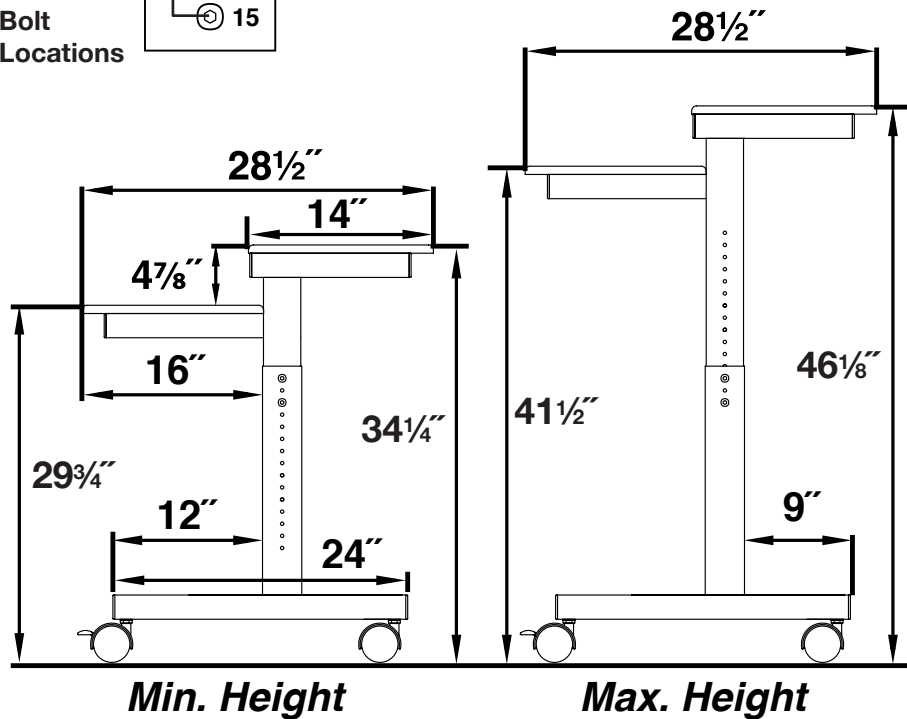
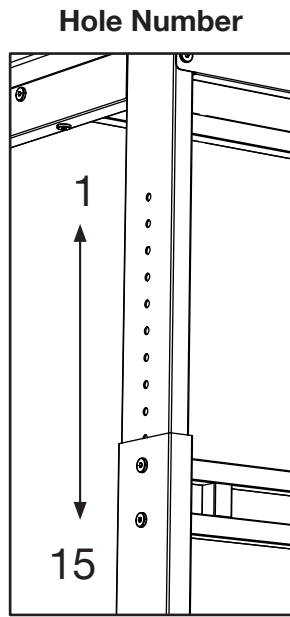


D x4
M6x28

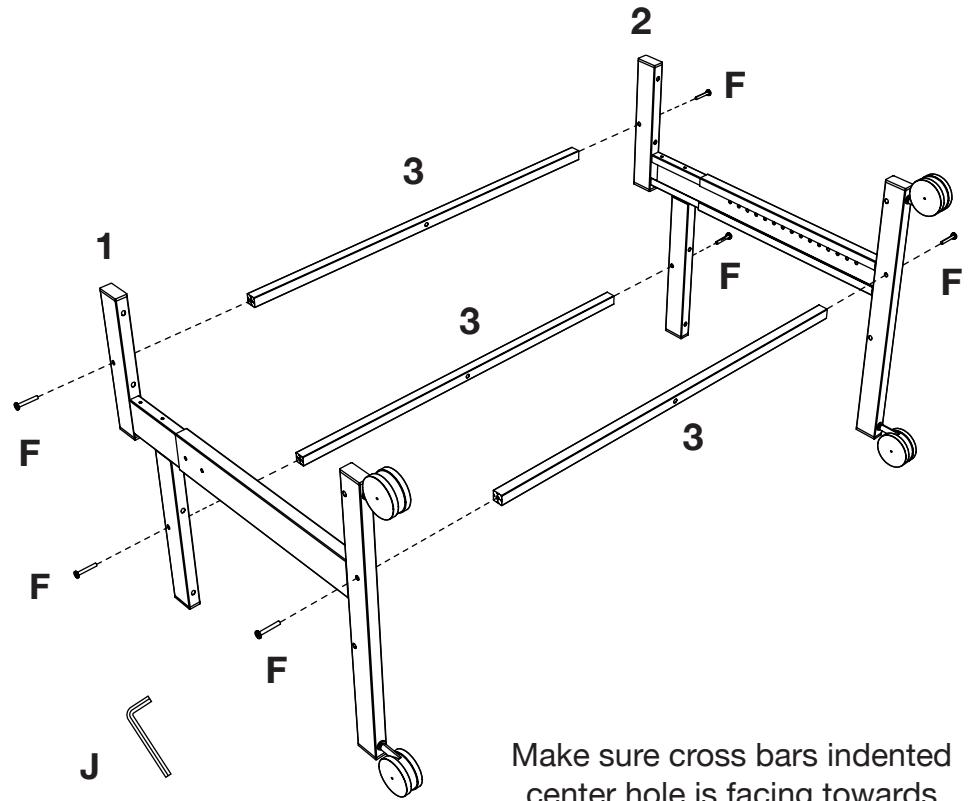
5 Shelf height hole pattern guide

Keyboard Shelf Height	Hole Number	Top Shelf Height
29 ³ / ₄ "	1	34 ¹ / ₄ "
30 ⁵ / ₈ "	2	35 ¹ / ₄ "
31 ⁵ / ₈ "	3	36 ¹ / ₄ "
32 ⁵ / ₈ "	4	37 ¹ / ₄ "
33 ⁵ / ₈ "	5	38 ¹ / ₄ "
34 ⁵ / ₈ "	6	39 ¹ / ₄ "
35 ⁵ / ₈ "	7	40 ¹ / ₄ "
36 ⁵ / ₈ "	8	41 ¹ / ₈ "
37 ¹ / ₂ "	9	42 ¹ / ₈ "
38 ¹ / ₂ "	10	43 ¹ / ₈ "
39 ¹ / ₂ "	11	44 ¹ / ₈ "
40 ¹ / ₂ "	12	45 ¹ / ₈ "
41 ¹ / ₂ "	13	46 ¹ / ₈ "
	14	
	15	

Crossbar Bolt Locations



2 Attach shelf cross bars to the frame



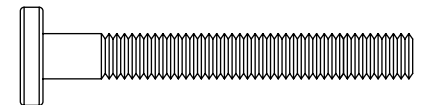
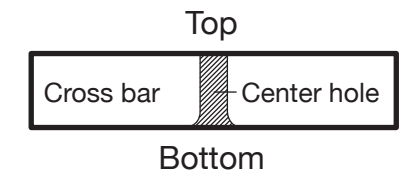
Make sure cross bars indented center hole is facing towards the casters



Assistance Recommended

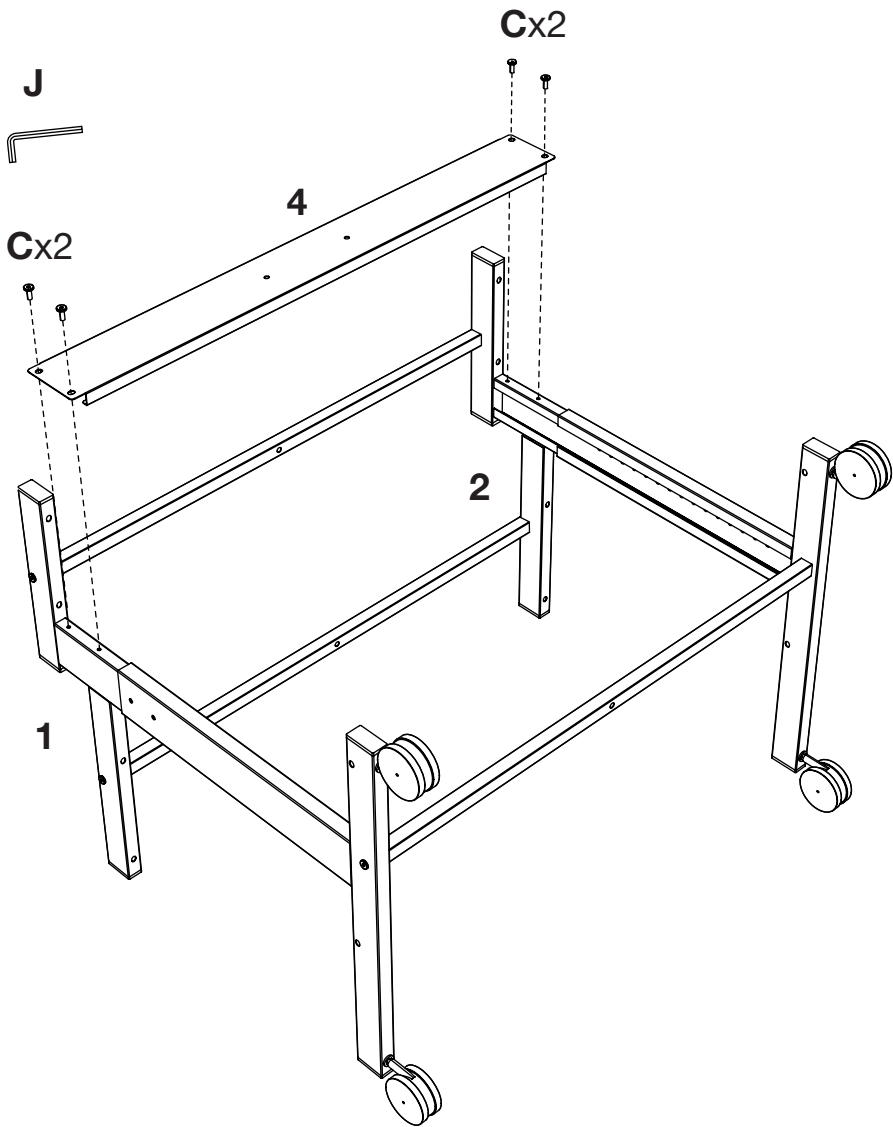
Gather Parts:
3 (x3)

&



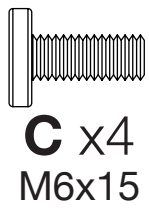
F x6
M6x48

3 Attach cross bar to the frame

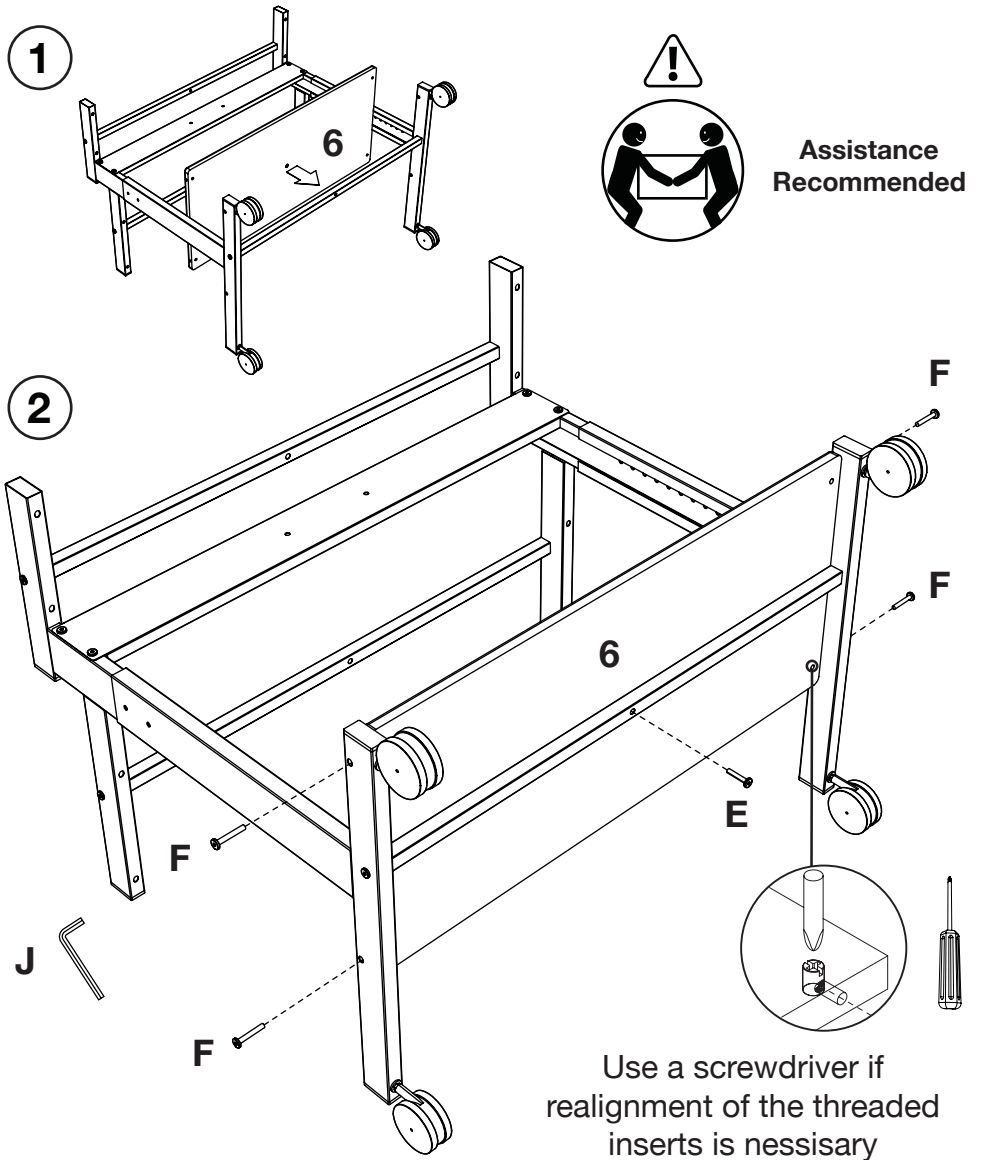


Gather Parts:
4

&



4 Attach lower shelf to the frame



Gather Parts:
6

