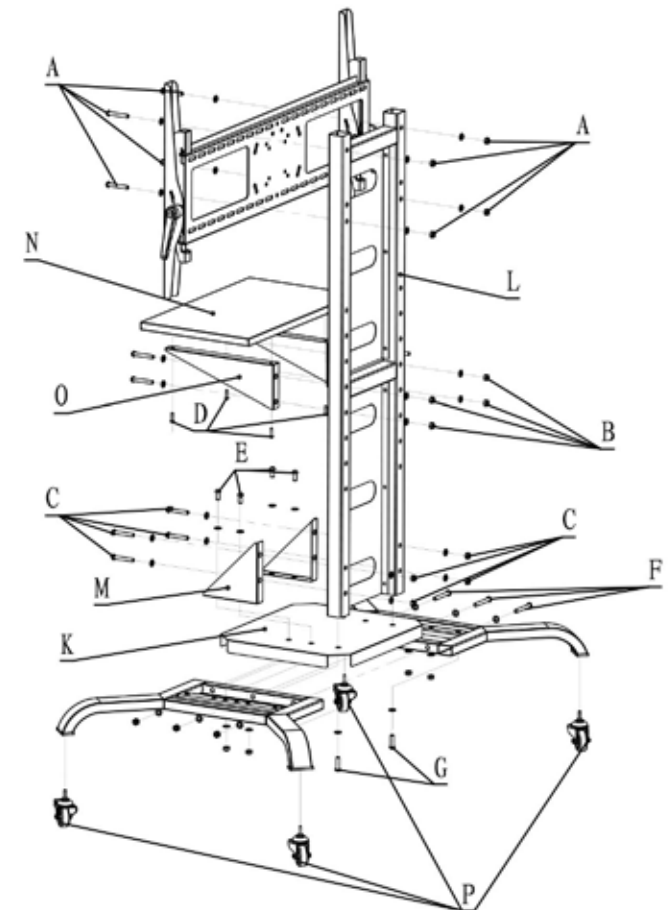
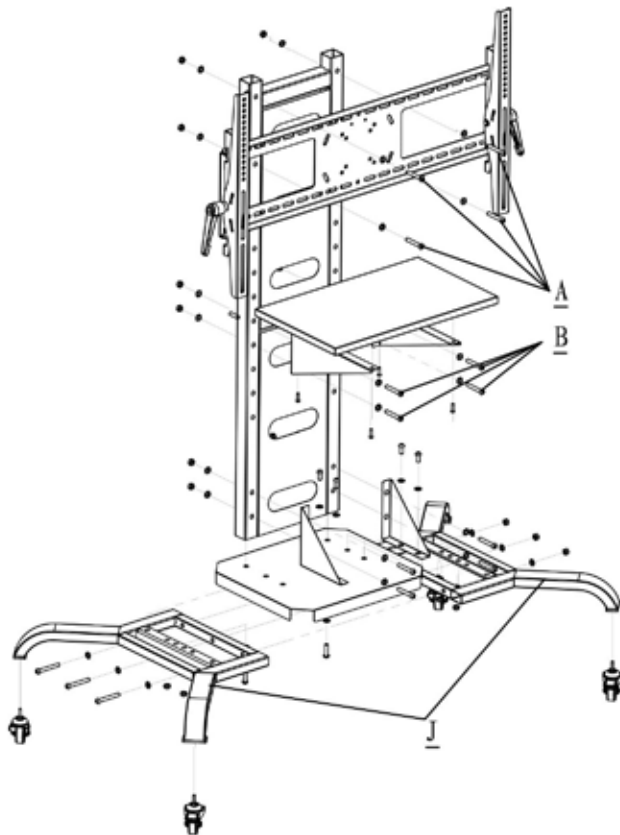


Hardware List

A	M8x55 Allen Screw	4pcs
	Ø8 Washer	8pcs
	M8 NUT	4pcs
B	M8x55 Allen Screw	4pcs
	Ø8 Washer	8pcs
	M8 NUT	4pcs
C	M8x55 Allen Screw	4pcs
	Ø8 Washer	8pcs
	M8 NUT	4pcs
D	M5x15 self-tapping screws	4pcs
E	M8x20 Allen Screw	4pcs
	Ø8 Washer	8pcs
	M8 Nut	4pcs
F	M8x75 Allen Screw	3pcs
	Ø8 Washer	6pcs
	M8 Nut	3pcs
G	M8x30 Allen Screw	2pcs
	Ø8 Washer	2pcs
H	8mm Allen Wrench	1pcs

Parts List

J	Base Frame	2pcs
K	Base cover	1pcs
L	Upright	1pcs
M	Base/Upright Brackets	2pcs
N	shelf	1pcs
O	Shelf Brackets	2pcs
P	Swivel casters	4pcs
Q	WFST	1pcs



1. Take part J and assemble using hardware F
2. Attach part P to base assembly
3. Attach part M using hardware E
4. Place part K on top of base and attach part L using hardware G

5. Attach part O to upright using hardware B
6. Attach part N to bracket using hardware D
7. Attach WFST mount to unit using hardware A