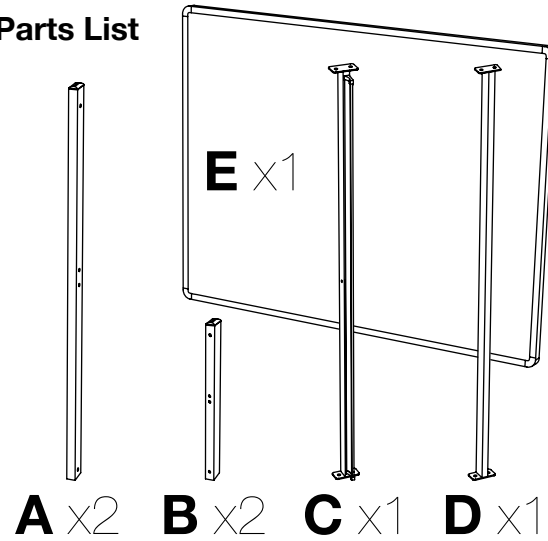


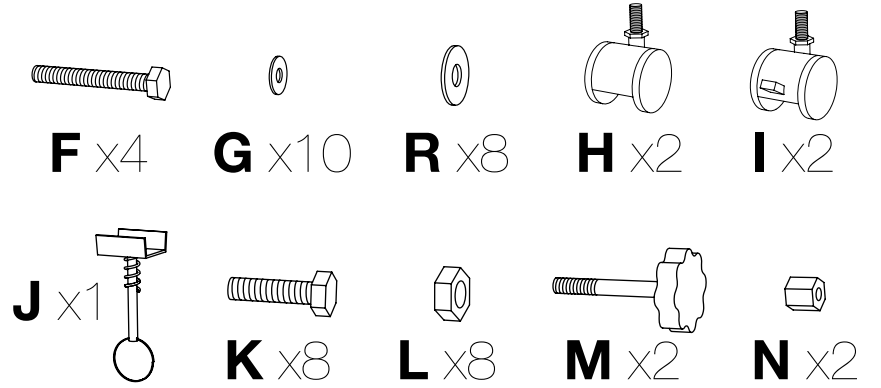
www.luxorfurn.com
www.hwilson.com

Parts List



Tools Required

- Additional Wrench
- Utility Knife



Mobile Board Instructions

Note: After assembly, remove the protective film from both sides of the board with a utility knife.

Cleaning Tip: A mild dish washing liquid can be used with a soft cloth to clean the writing surface.

