

Thank you for choosing our product

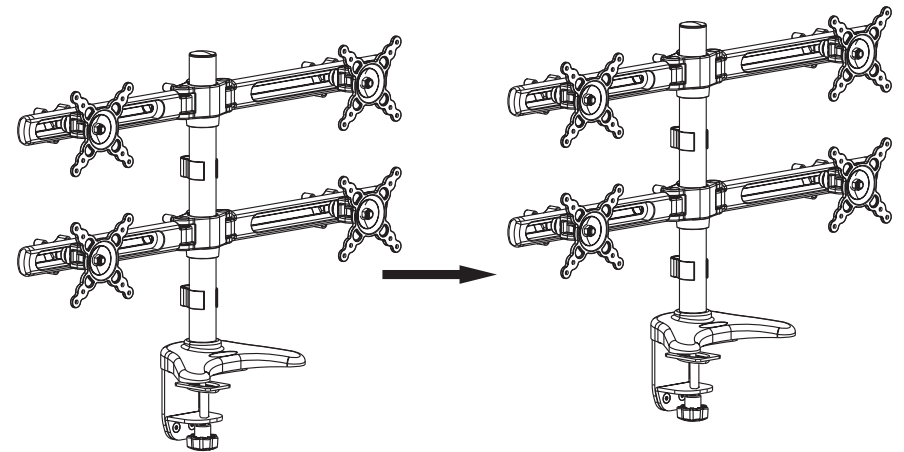
Warning

This product contains small items that could be a choking hazard if swallowed. Keep these items away from young children!

1. Make sure these instructions are read and completely understood before attempting installation. If you are unsure of any part of this installation, contact a professional installer for assistance.
2. The wall or mounting surface must be capable of supporting the combined weight of the mount and the display; otherwise the structure must be reinforced.
3. Safety gear and proper tools must be used. A minimum of two people are required for this installation. Failure to use safety gear can result in property damage, serious injury or death.

INSTALLATION GUIDE

Item No.:LTMLT4AP4

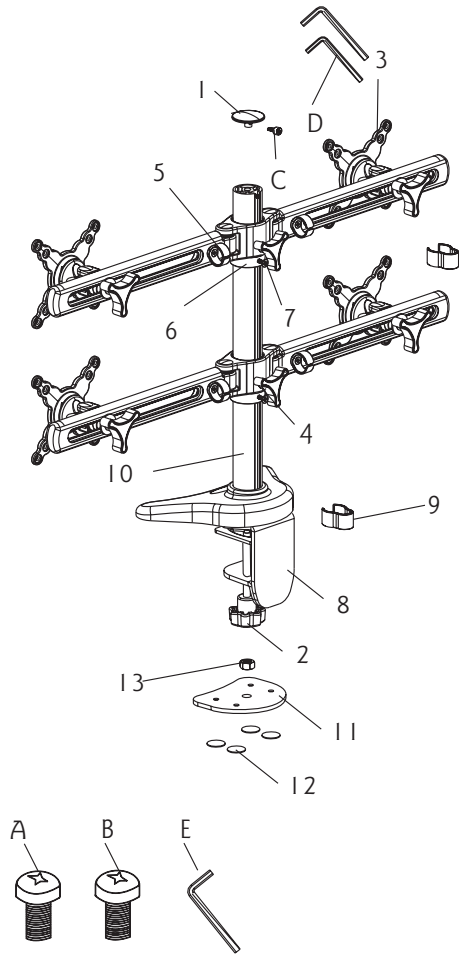


- TV Size Range: 10"~24"
- Max load capacity of each TV plate: 8Kg/17.6lbs
- Integrated Cable management

CAUTION

Please read this guide before installation. Ensure the correct installation. Keep away from high frequency or power equipment to avoid disturbance. Choose desk to put this product. We can not be responsible for any damage caused by wrong installation.

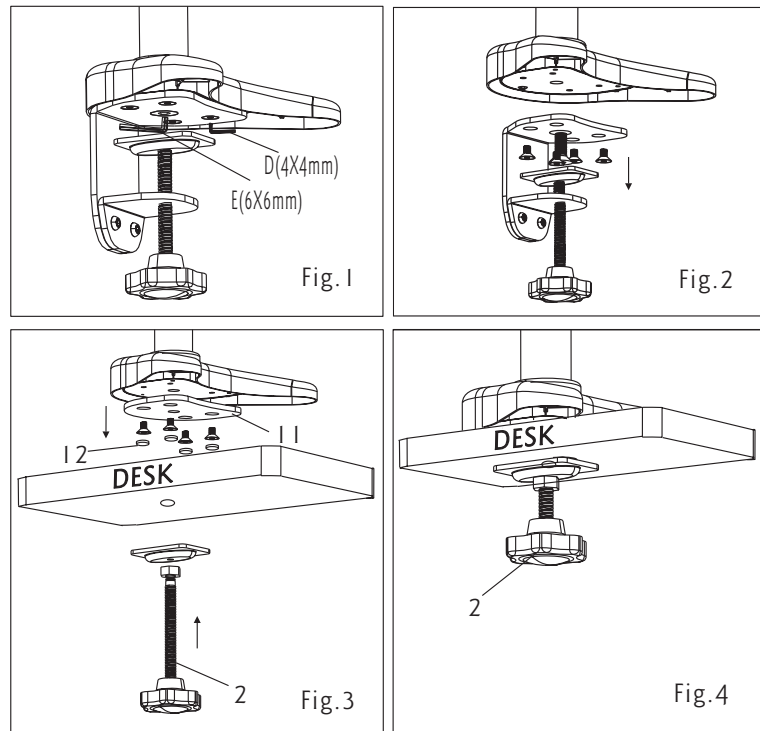
Hardware Kit:



ID	Qty	Description
1	1	Tube Cover
2	1	Hand handle
3	4	TV plate
4	2	Knob
5	4	Cable management clip
6	2	Fixed wreath
7	2	M5x10mm sunk bolt
8	1	Bottom support
9	2	Cable cover
10	1	Tube
11	1	Bottom plate
12	4	Mat feet
13	1	Nut
A	16	M4x12mm bolt
B	16	M5x12mm bolt
C	1	M4x10mm bolt
D	2	3X3,4X4 Wrench
E	1	6X6 Wrench

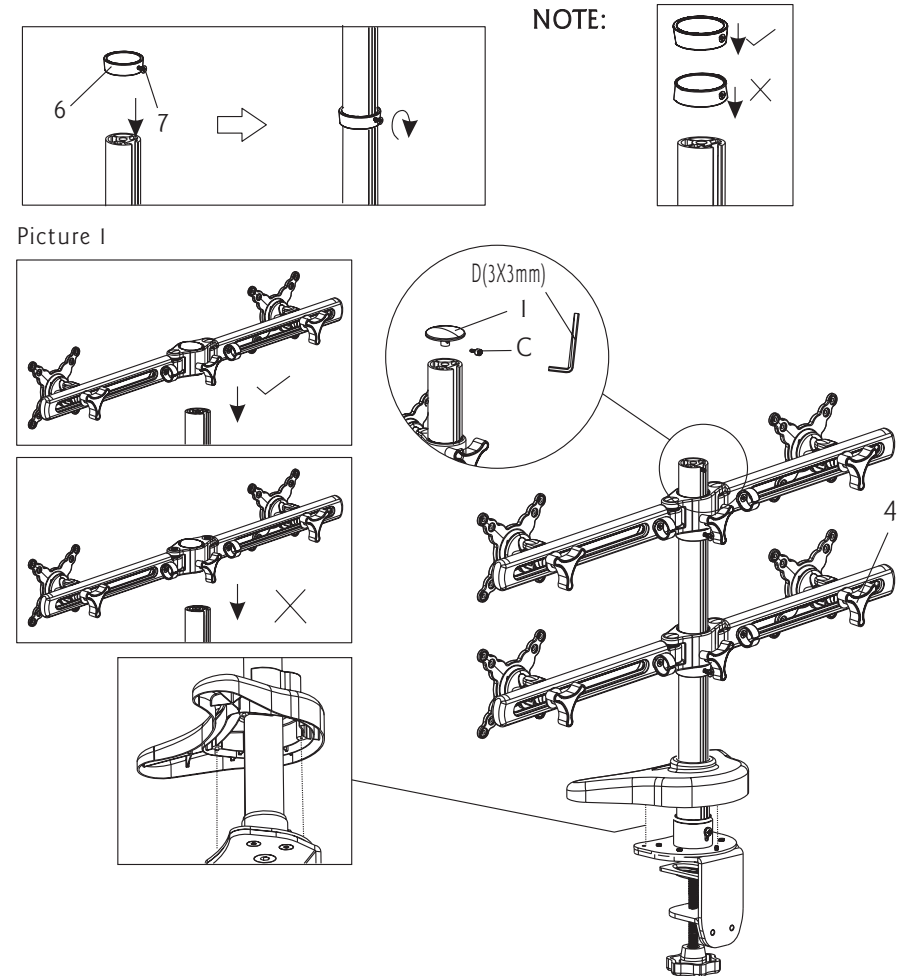
Part 4-Fitting the bottom plate(11) on the desk[If you don't want to use bottom support(8)]

first, take off screw M6X10 and M10X20 by wrench,then remove the whole bottom support(8) to change bottom plate(11),tighten screwing 4pcs of M6X10,then stick 4pcs mat feet(12) to the screws,see the fig.3. After that, put the screw nut on the proper position of knob.The last step, make the Hand handle(2) get through the desk and then make nut tighten by wrench.



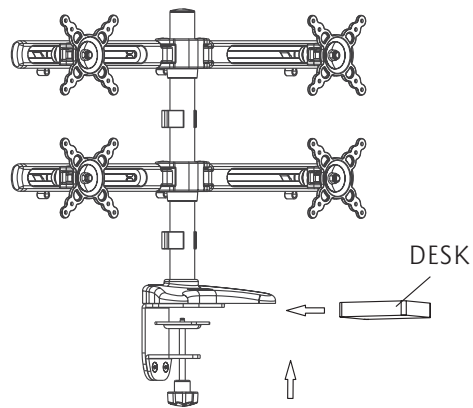
Part 1-Install TV plate and fixed wreath

First install the plastic cover, then fixed the wreath(6) on the tube by M5x10mm sunk bolt(7). Once the wreath fixed, then slide the TV plate into the tube and fixed it by knob(4). When fixed wreath and TV plate are installed, put on the tube cover(1) and use (C) by wrench(D) to make it tighten.(picture 1)



Part 2-Fitting the bottom support on the desk

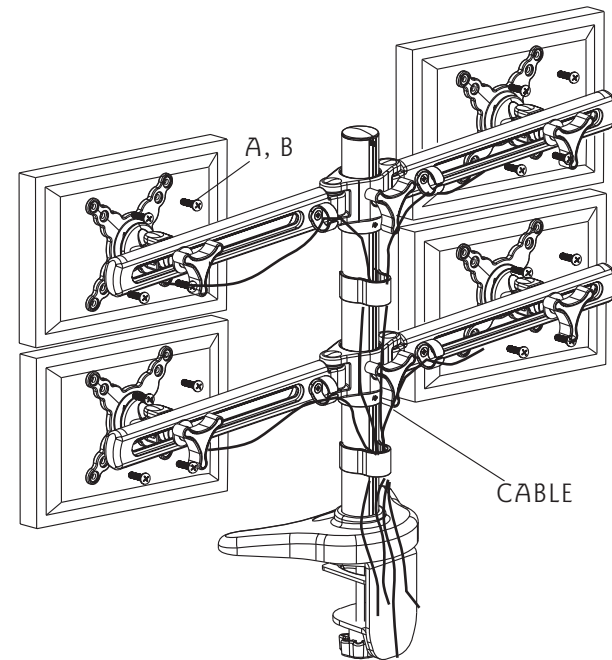
Choose the position of the base you want installed. Make sure there is enough space to spread display considering the show size. The desk should be between 15mm and 55mm thick and strong enough to bear the force caused by your display. (picture 2)



(picture 2)

Part 3-Attaching TV plate to screen

Center TV plate on back of the screen and align the sixteen mounting holes. Select screws (A,B). Attach TV plate to screen using sixteen selected screws (A,B). Tighten screws firmly. Do not overtighten. (picture 3)



(picture 3)