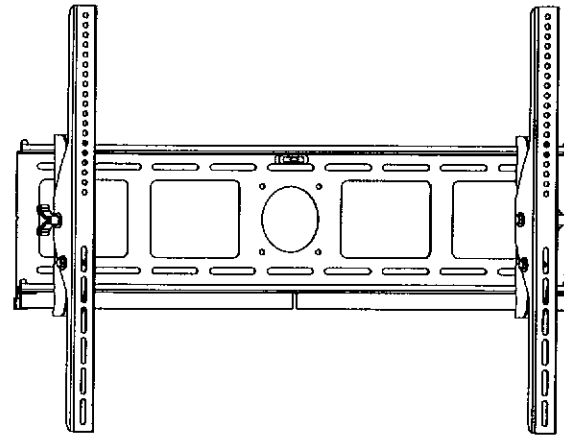

INSTALLATION GUIDE

Item No.:LTLCK702B

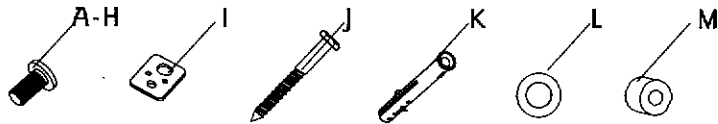
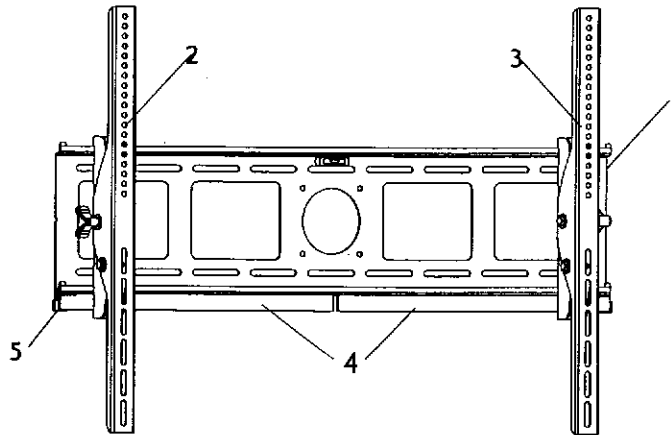


- TV Size Range: 42"~70"
- Maximum Weight Capacity: 75 kg/165lbs
- Adjustable angle: -5°~15°
- Distance to the wall is 77mm

⚠ CAUTION

This product was designed to be installed on wood stud walls and solid concrete walls. Before installing make sure the supporting surface will support the combined load of the equipment and hardware. Never exceed the Maximum Load Capacity. This product is intended for indoor use only. Use of this product outdoors could lead to product failure or personal injury.

Hardware Kit:

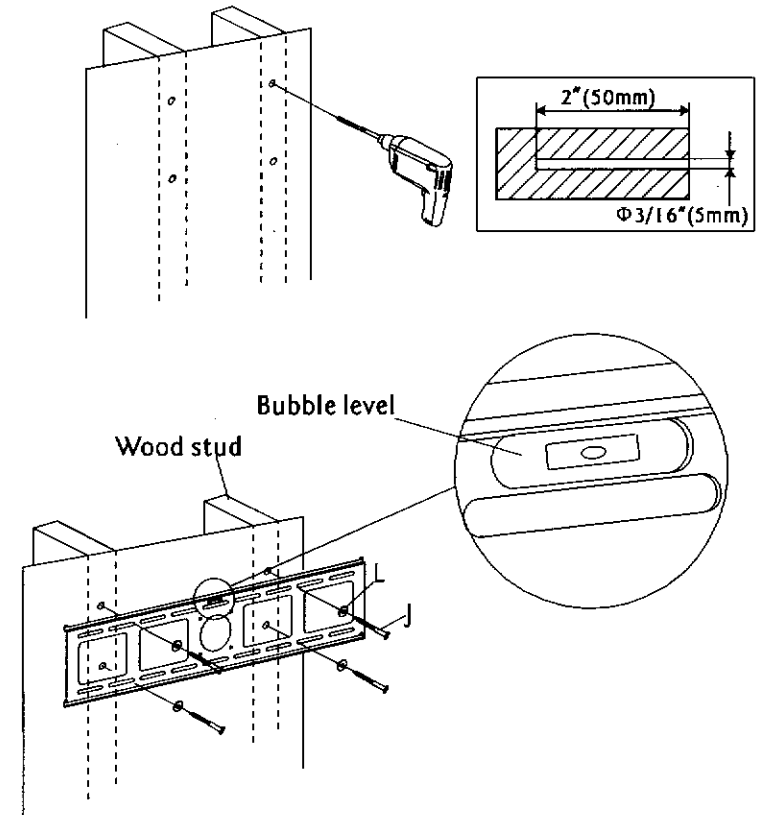


ID	Qty	Description
1	1	Wall mount
2	1	Left Bracket
3	1	Right Bracket
4	2	Locking Bar
5	2	PadLock
A	4	M4×12mm bolt
B	4	M4×16mm bolt
C	4	M5×16mm bolt
D	4	M6×16mm bolt

ID	Qty	Description
E	4	M8×16mm bolt
F	4	M5×36mm bolt
G	4	M6×36mm bolt
H	4	M8×36mm bolt
I	4	Square washer
J	6	Long bolt
K	6	Wall anchor
L	6	Long bolt washer
M	4	Spacer

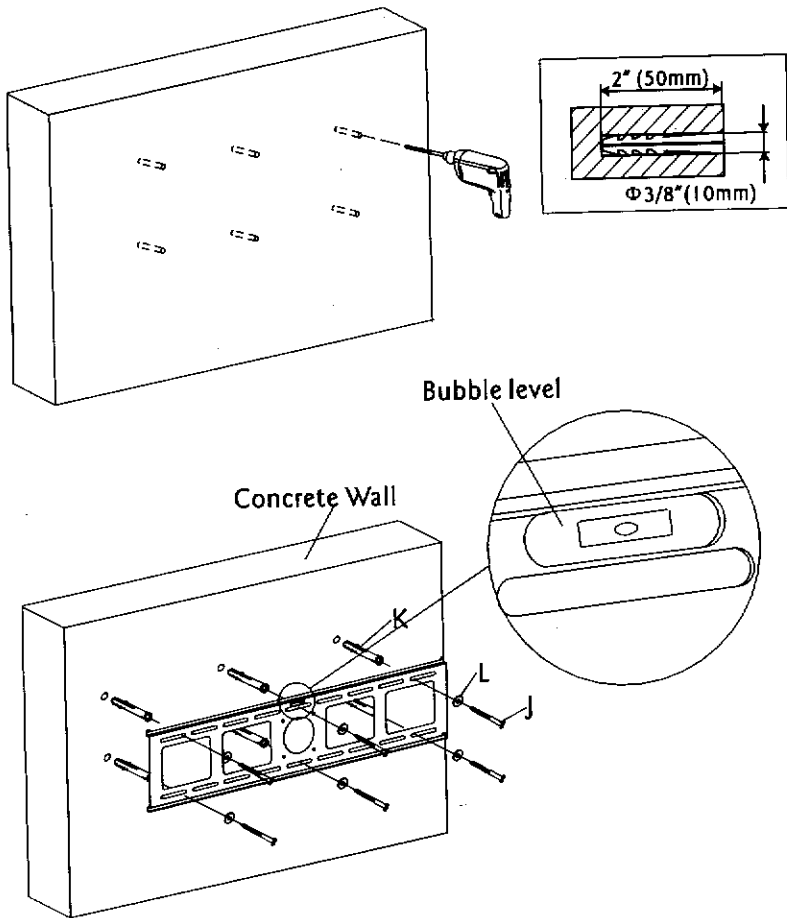
Part 1a-Wood Stud Mounting

Use wall plate(1) as a template, make sure it is level, and mark four mounting holes along the center lines of the wood studs. Drill four 3/16" (5mm) dia. holes 2" (50mm) deep. Level wall plate(1) and attach to wall with four long bolts(J) and four washers(L). Tighten screws firmly. Do not overtighten.



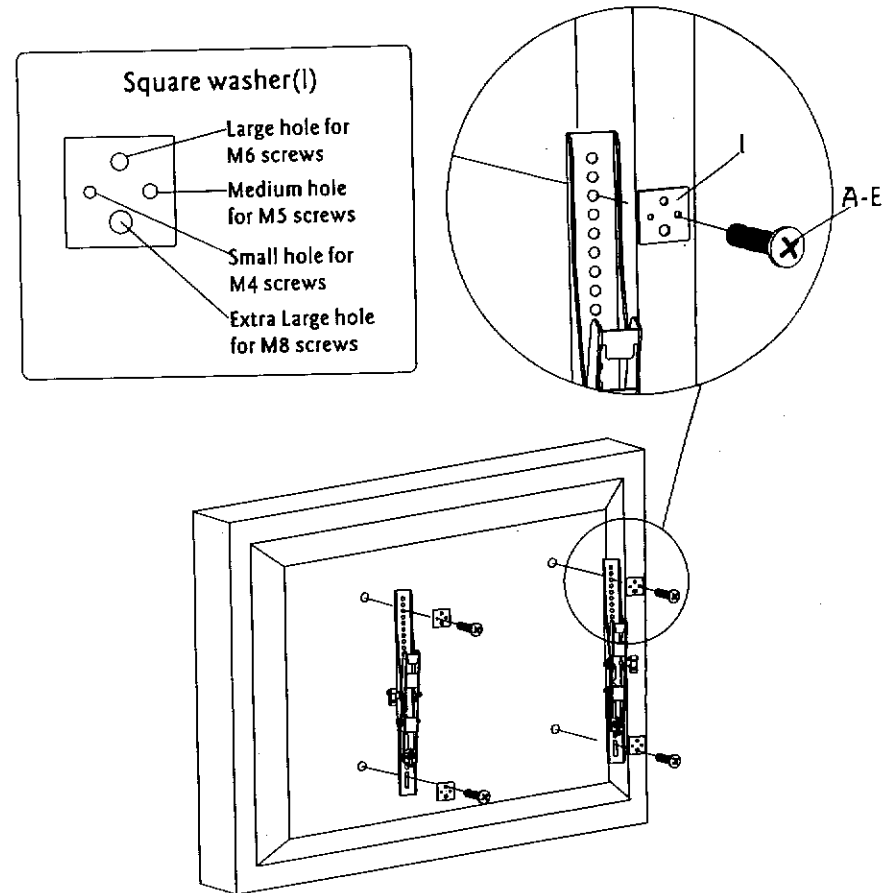
Part 1b-Concrete Wall Mounting

Level wall plate(I) and use wall as a template to mark six holes. Drill six 3/8" (10mm) dia. holes 2" (50mm) deep. Insert six anchors(K) into holes and secure wall plate with six long bolts(J) and six washers(L). Tighten screws firmly. Do not overtighten.



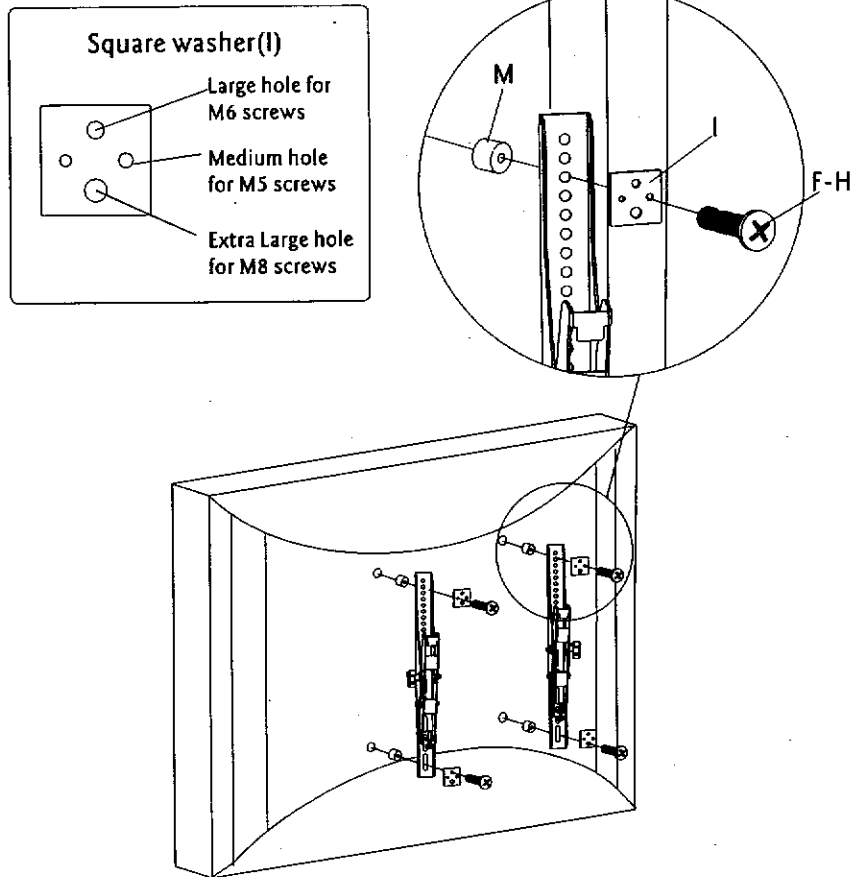
Part 2a-Attaching Brackets To Screen With Flat Back

Center brackets vertically on back of screen. Select the small(A or B), medium(C), large(D) or extra large(E) screws. Attach brackets to screen using four selected screws and four square washers(I) at the top and bottom of each bracket. Tighten screws firmly. Do not overtighten.



Part 2b-Attaching brackets to screen with recessed back

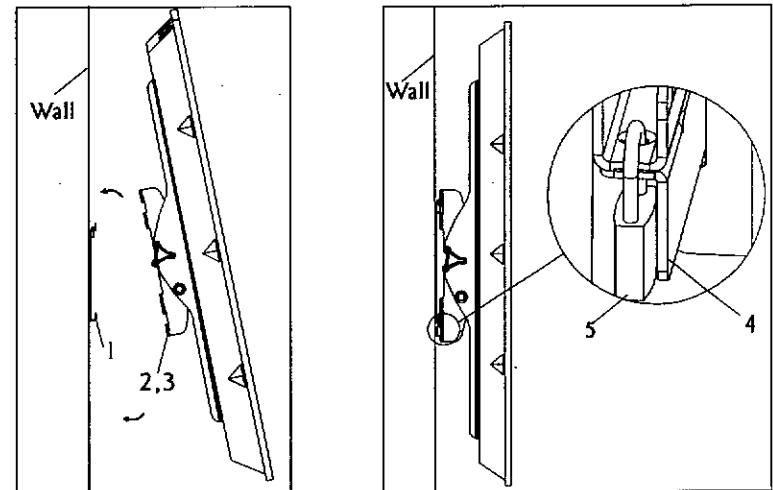
Center brackets vertically on back of screen. Select the medium(F), large(G) or extra large(H) screws. Attach brackets to screen using four selected screws, four square washers(I) and four spacers(M) at the top and bottom of each bracket. Tighten screws firmly. Do not overtighten.



Part 3-Mounting the flat panel screen and installing locking bar

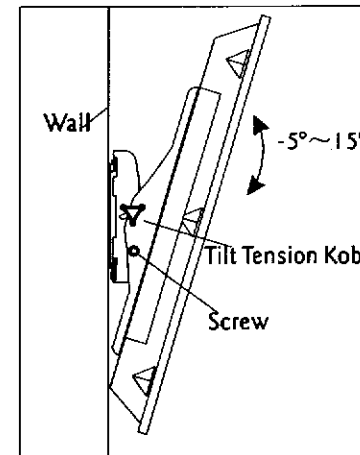
Hook the top of brackets onto the top flange of wall plate(1). Then swing the screen down. Slide locking bars(4) between brackets and the bottom edge of wall plate(1). Secure with padlocks(5).

NOTE: Always use an assistant or mechanical lifting equipment to safely lift and position heavy equipment.



Part 4-Adjusting display

To tilt the Display, grasp the sides of the display, pull into the desired position. To change how easily the Mounting Head, adjust the Tilt Tension Knob by Hand. If the Mounting Head is still too loose, tighten the screw with the Hex Wrench.



Thank you for choosing our product

Warning

This product contains small items that could be a choking hazard if swallowed. Keep these items away from young children!

1. Make sure these instructions are read and completely understood before attempting installation. If you are unsure of any part of this installation, contact a professional installer for assistance.
2. The wall or mounting surface must be capable of supporting the combined weight of the mount and the display; otherwise the structure must be reinforced.
3. Safety gear and proper tools must be used. A minimum of two people are required for this installation. Failure to use safety gear can result in property damage, serious injury or death.